



**MONTERINGSANVISNING · INSTALLATION INSTRUCTIONS
MONTAGEANLEITUNG · INSTRUCTIONS DE MONTAGE**

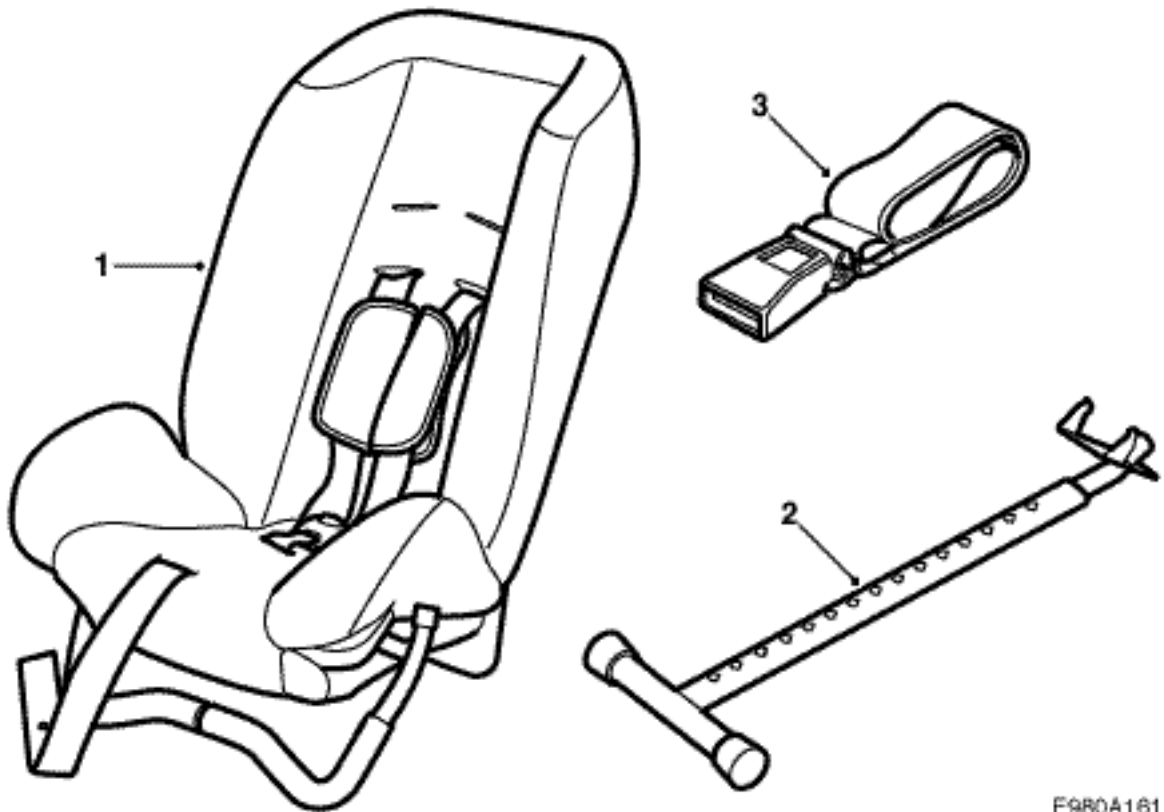
Saab 9-3, Saab 9-5

Saab Child Seat

Accessories Part No.	Group	Date	Instruction Part No.	Replaces
12 799 012 12 823 256	9:88-15	Dec 09	12 798 998	12 798 998 May 03



F980A160

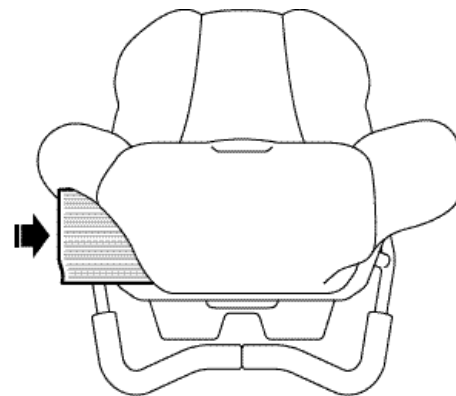


F980A161

- 1 Child seat
- 2 Support
- 3 Anchoring strap (x2)

The installation instructions must be kept folded lengthways inside the upholstery in the front edge of the child seat.

Important	page	3
Fitting:		
Front seat fitting	page	4
Rear seat fitting	page	6
Adjusting the child seat belt	page	10
Removing child seat belts to adjust the height or clean the upholstery	page	11



F980A169

Important

WARNING

Read all instructions before using the child seat. The child seat may **under no circumstances** be fitted in any manner other than that described in these installation instructions.

Approved for rear-facing mounting in

- the front seat in compliance with ECE R44.04 Group 0+1+2 for children who can sit without support up to approx. 6 years of age or 0-25 kg.
- the rear seat in compliance with ECE R44.04 Group 0+1 for children who can sit without support up to approx. 3 years of age or 0-18 kg.

WARNING

If the seat is to be fitted facing the rear in the centre rear seat of Saab 9-3 3D/5D -M03 or Saab 9-5 4D, the centre armrest safety strap (part no. 400 108 262) must be used. Otherwise there is a risk that the centre armrest could drop down in the event of a head-on collision.

When the child's head extends over the child seat backrest, the child seat should be replaced with a Saab Belt Seat. Contact your nearest Saab dealer. The child seat should not be replaced earlier.

Important

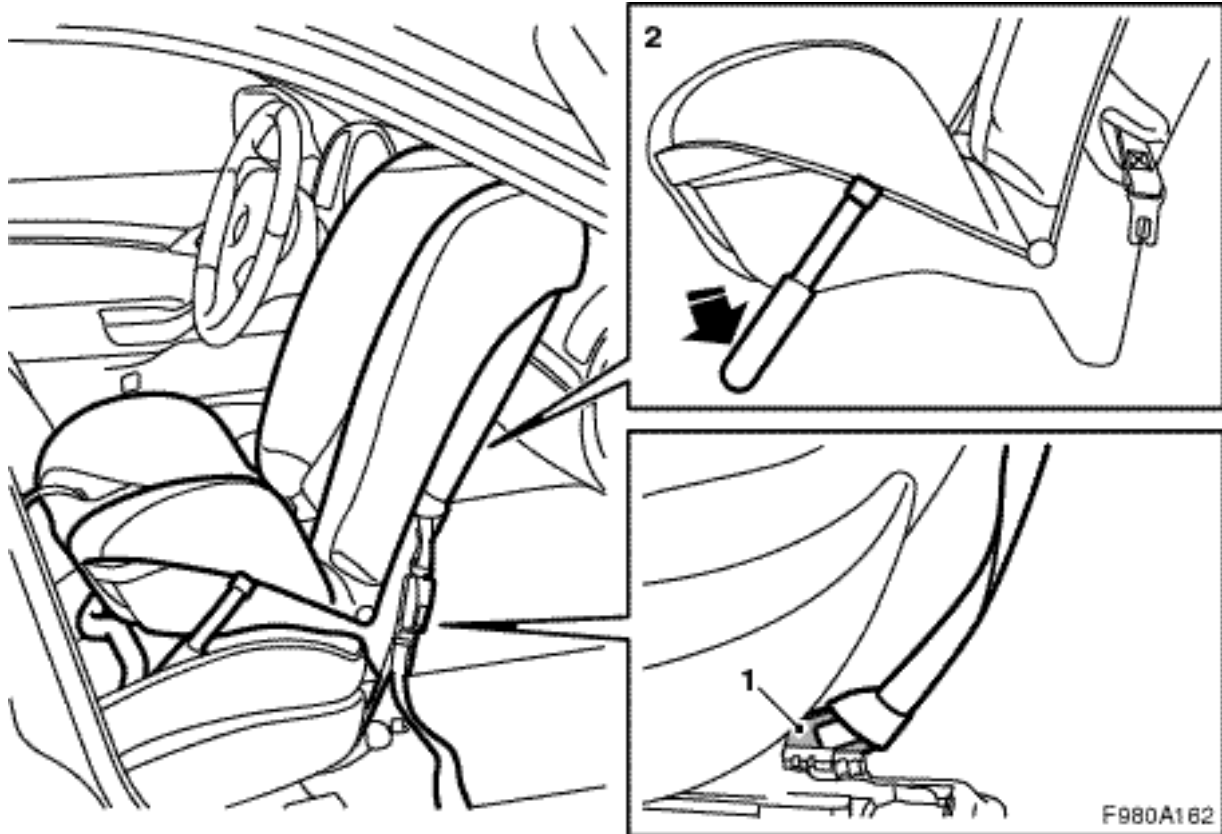
Become acquainted with national regulations regarding child seat placement.

WARNING

DO NOT PLACE rear-facing child seat on front seat with airbag. **DEATH OR SERIOUS INJURY CAN OCCUR.**

Before fitting the child seat in the front passenger seat, make sure that the car does not have a front passenger airbag. On cars equipped with a front passenger airbag, the text **AIRBAG** and/or **SRS** is found on the dashboard in front of the passenger seat and there is a label on the passenger side sun visor or the end of the dashboard on the passenger side. In certain markets, there is also a label on the dashboard shell in front of the passenger seat or on the sun visor.

- The child must **always** be strapped in, even for short journeys.
- Make sure the strap securing the child seat is tightly stretched and has not been jammed in the car door.
- Make sure the child seat belt is not twisted and that it is stretched and fits well against the body of the child. It is important that the lap belt is across the child's hips and not the abdomen. This is especially important to check when the child is wearing a coat, jacket, etc.
- The child seat belt-buckle is designed to be opened quickly in case of an accident, which means that the child must not be allowed to play with it.
- **Never** leave a child unattended in the child seat.
- If the child safety seat has been involved in a collision, it **must never** be used again.
- The child seat could be damaged by being caught in the door, for example.
- Bear in mind that the child seat can become extremely hot if left in the sun. This also applies in a parked car.
- The child safety seat must not be modified in any way without the approval of the manufacturer.
- The seat must **always** be strapped into the car, even when unoccupied. There is otherwise risk of it injuring the driver or passengers during emergency braking or in case of a collision.
- If the rear seat can be folded down, make sure the backrest is properly locked in the upright position.
- All loads should be well secured.
- The child seat must not be used without upholstery. The original upholstery should be used.
- Washing advice:
See the label sewn inside the seat upholstery.
- Contact your nearest Saab dealer if you have any questions.



I. Front seat fitting

WARNING

DO NOT PLACE rear-facing child seat on front seat with airbag. DEATH OR SERIOUS INJURY CAN OCCUR.

The child seat backrest must **on no account** come in contact with the windscreen as this may cause the windscreen to crack. Check both while fitting as well as after fitting the seat that it does not come in contact with the windscreen.

The child seat should **always** be positioned with the lip over the front edge of the car's seat cushion.

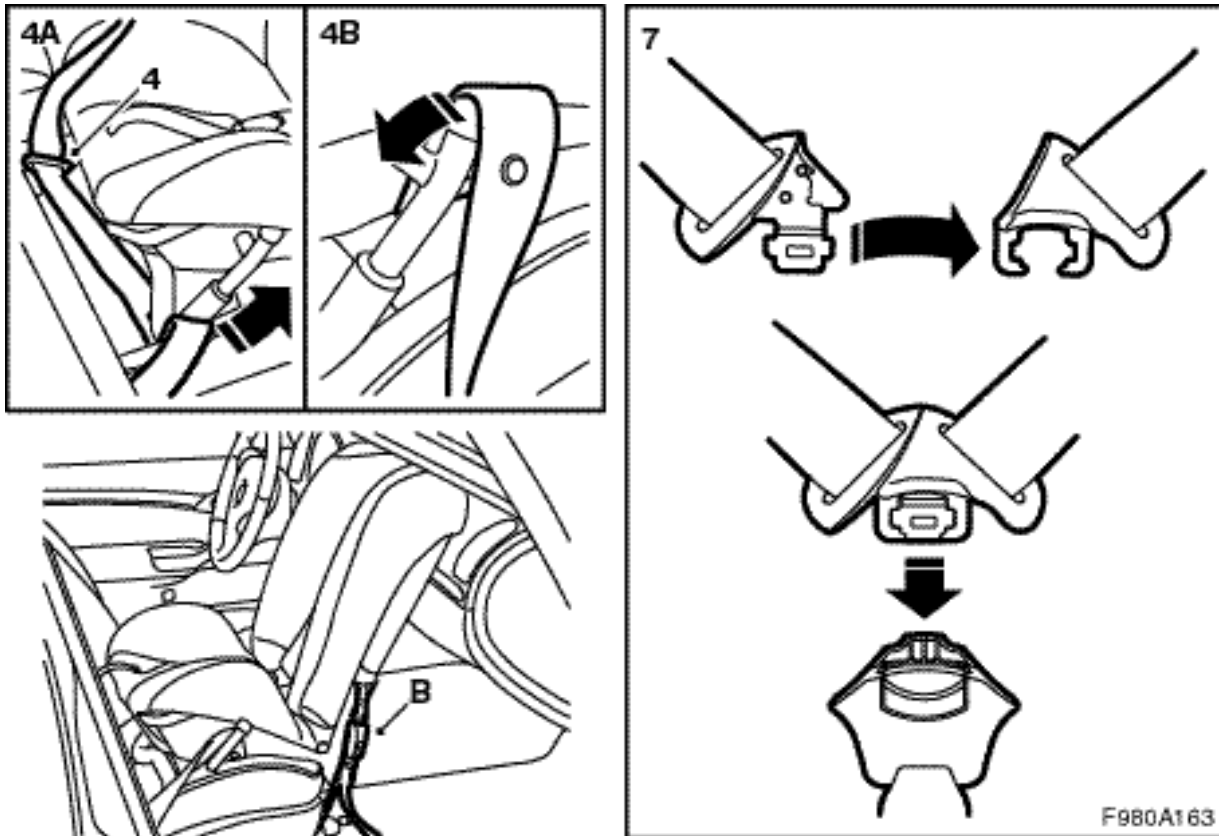
The child seat anchoring straps must **on no account** be attached to the seat adjusting levers or to sharp or weak parts. Take care of the electrical wiring under the car seat.

- 1 Secure the anchoring straps in the eyes at the front edge of the car's seat. See the Owner's Manual for the exact location. The anchoring straps must not be tightened around any levers or any sharp or frail component.

The anchoring straps are secured by inserting the strap loop through the attaching lug and then inserting the strap buckle through the strap loop. Pull hard on each strap so that the strap loop tightens around the metal edge of the attaching lug or around the member.

- 2 Lower the child seat bracket and position the child seat on the car's seat cushion with the backrest against the dashboard. The child seat should **always** be positioned with the lip over the front edge of the car's seat cushion.
- 3 Adjust the child seat so that it rests against the dashboard. The child seat backrest must not touch the windscreen.

The angle of the child seat can be altered by sliding the car seat forward or rearward.



- 4 Run the lap section of the car seat belt under the child seat bracket (4A) and seat portion, secure it around the blue knobs (4B) on both sides of the seat and lock it in the car belt buckle.
- 5 Pull hard on the car seat belt to eliminate all slack. The diagonal section of the car seat belt should be in front of the front seat backrest.
- 6 Secure the child seat with the lower anchoring straps (B) and pull them tight so that the child seat is stable.

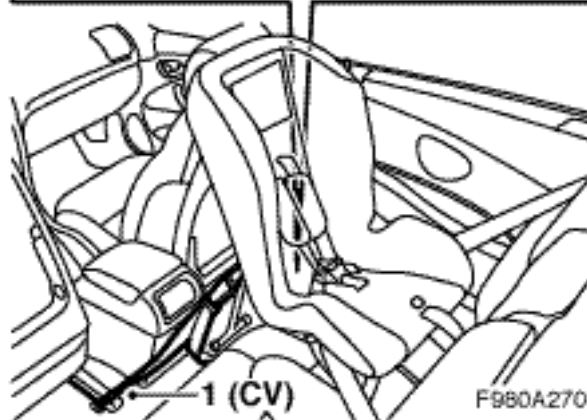
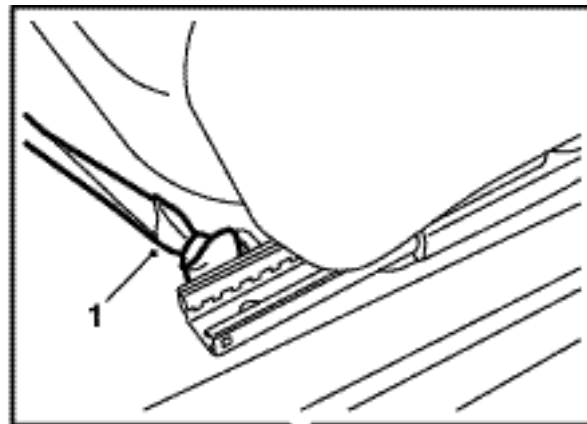
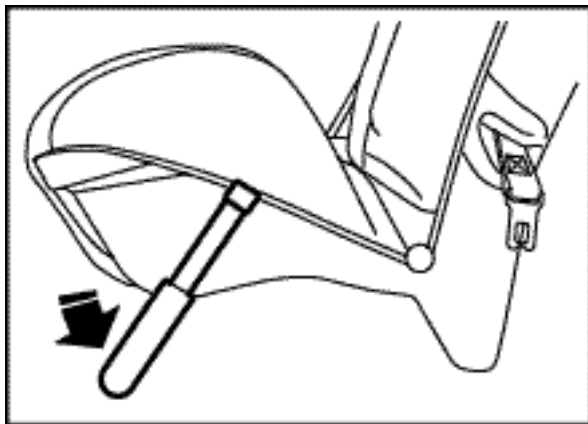
Pull alternately on the anchoring straps and the car seat belt until the seat is secure. Press down on the child seat while pulling on the straps and the seat belt.

- 7 Put the child in the child seat and secure the child seat belt around the child. Tighten the child seat belt by pulling on the strap at the front edge of the seat. Extend the child seat belt by pressing at the text "PRESS" on the child seat upholstery while pulling the belt out. A button located under the upholstery releases the belt catch.

Tighten the anchoring straps and the car seat belt a little more once the child is in the child seat.

Make a habit of checking that the child seat straps are tight each time the child seat is used.

Refer to page 10 for adjusting the child seat belt.



II. Rear seat fitting

WARNING

The child seat anchoring straps must **on no account** be attached to sharp or weak components. Mind the electrical wiring under the car seat.

If the seat is to be fitted facing the rear in the centre rear seat of Saab 9-3 3D/5D -M03 or Saab 9-5 4D, the centre armrest safety strap (part no. 400 108 262) must be used. Otherwise there is a risk that the centre armrest could drop down in the event of a head-on collision.

The support must be used when mounting the child seat in the rear seat.

Important

Close any air vents in the rear edge of the floor console when placing the child seat in the centre rear seat position as the holes in the child seat backrest will convey the air to the child's back. This will cause a cold draught on the child whenever the climate control system is being used.

- 1 Secure the anchoring straps in the anchoring lugs at the car seat rails or around a member. See the Owner's Manual for the exact location. When fitting in the centre seat, the driver's/passenger seat attaching lug/member nearest the centre console should be used.

9-3 Convertible: The outer anchoring strap must be secured in the lug on the outer seat rail for the front seat on the same side as the child seat, and the inner anchoring strap must be secured in the lug on the inner seat rail for the front seat on the opposite side of the car.

All: The anchoring straps are secured by inserting the strap loop through the attaching lug or around the member and then inserting the strap buckle through the strap loop. Pull hard on each strap so that the strap loop tightens around the metal edge of the attaching lug or around the member.

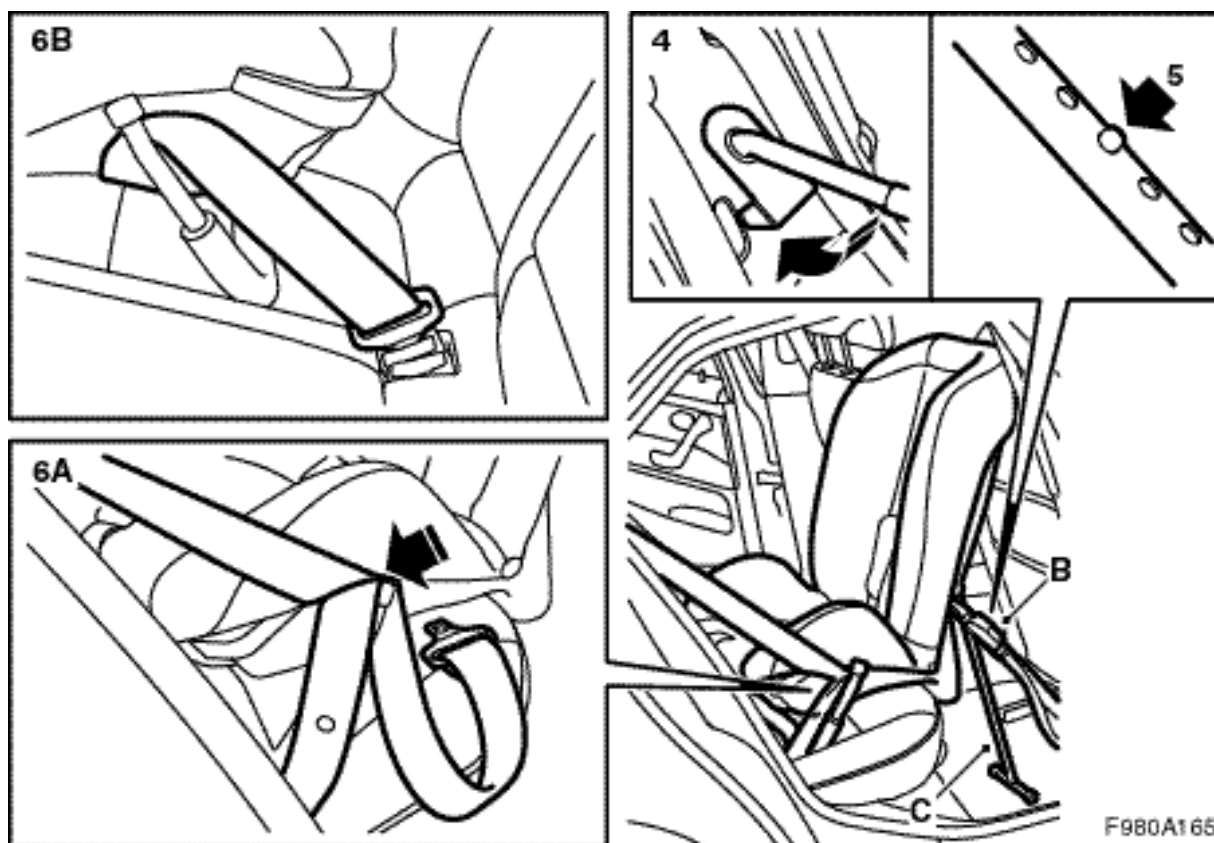
WARNING

In Saab 9-3 Convertible, the child seat must not be placed in the centre of the rear seat as it only has two seat positions.

The lower anchoring straps must not be attached to levers or to any sharp or weak details.

- 2 Lower the child seat bracket.
- 3 Position the child seat on the seat cushion with the backrest against the front seat backrest. The child seat should be positioned with the lip over the front edge of the seat cushion.

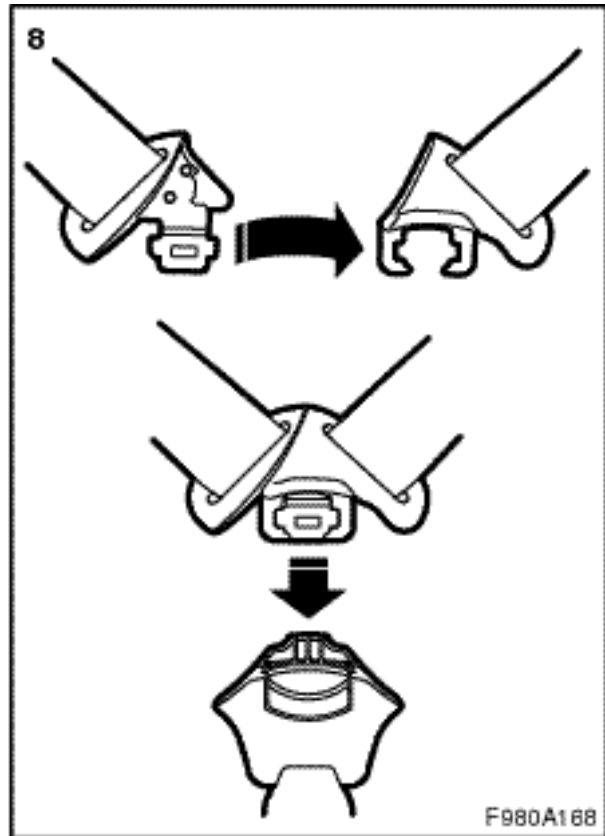
Slide the front seat forward or rearward so that the child seat rests securely. Bear in mind that sliding the front seat forward reduces the amount of legroom for the front seat passenger.



- 4 Fit the support (C) to the child seat by inserting the support's upper pipe end in the hole on the back of the child seat backrest and pressing the support down so that its snap locks catch in the child seat backrest.

When fitting in the centre rear seat, the support can rest against the rear edge of the centre console in certain variants.

- 5 Adjust the length of the support by pressing in the lock button while extending or retracting the support so that it rests against the car floor and the child seat is stable.
- 6 Run the car seat belt (both the lap and shoulder sections) around the blue knob (6A) of the bracket, then under the child seat and around the blue knob (6B) on the other side of the seat. Buckle the belt and pull hard to remove all slack.



- 7 Secure the child seat with the anchoring straps (B) and pull them tight so that the child seat is stable. Make sure the support is steady against the floor of the car and the support lock button is in place in one of the holes.

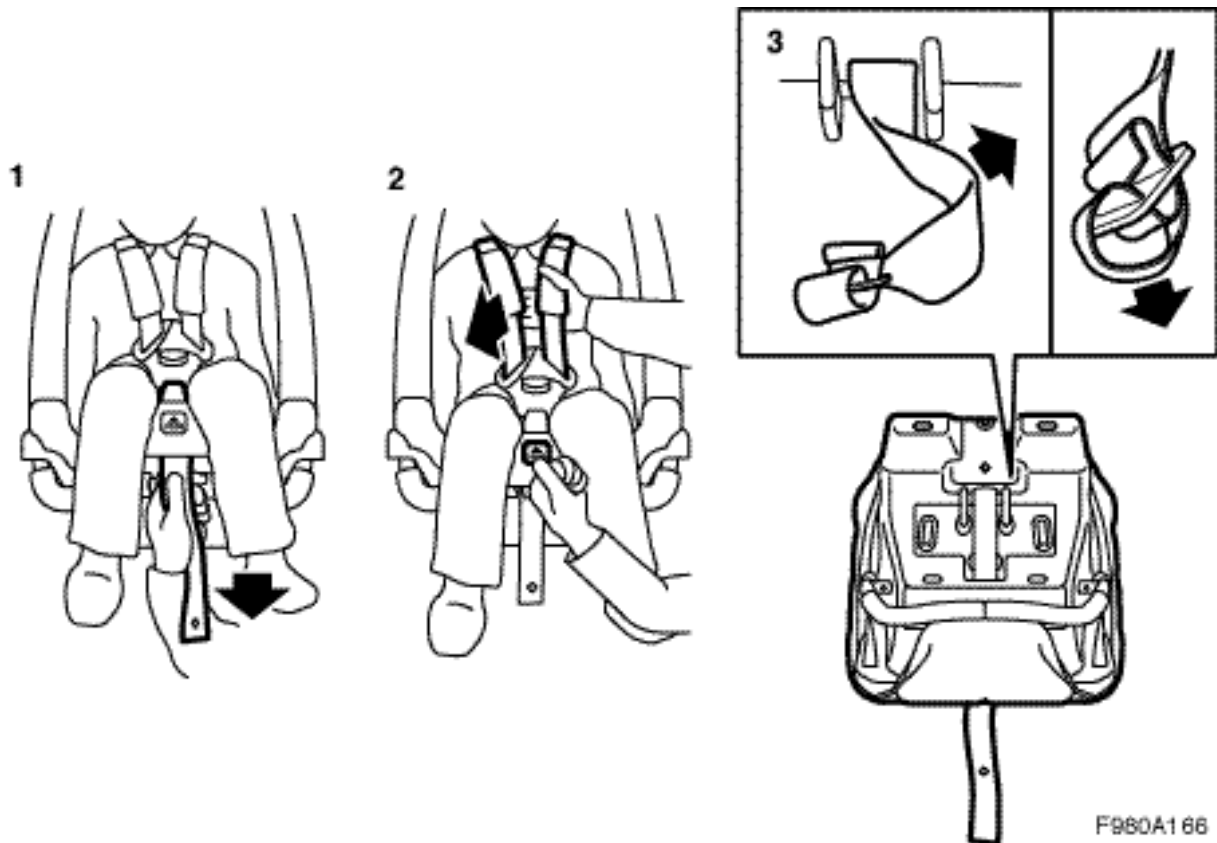
Pull alternately on the anchoring straps and the car seat belt until the seat is secure. Press down on the child seat while pulling on the straps and the seat belt. Adjust the support as well.

- 8 Put the child in the child seat and secure the child seat belt around the child. Tighten the child seat belt by pulling on the strap at the front edge of the seat. Extend the child seat belt by pressing at the text "PRESS" on the child seat upholstery while pulling the belt out. A button located under the upholstery releases the belt catch.

Tighten the anchoring straps and the car seat belt a little more once the child is in the child seat.

Make a habit of checking that the child seat straps are tight each time the child seat is used.

Refer to page 10 for adjusting the child seat belt.



F980A166

Adjusting the child seat belt

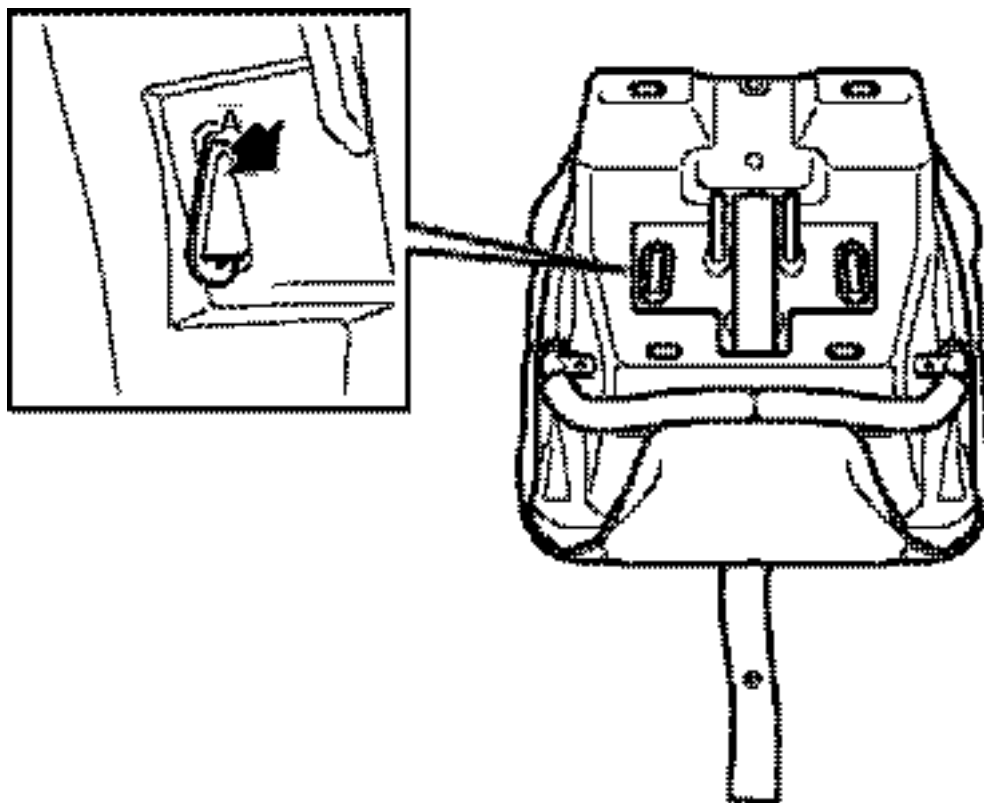
WARNING

To provide the best protection, the belt must be adjusted so that it rests firmly against the child's body with the lap belt as low as possible on the child's hips.

- 1 Tighten the child seat belt by pulling the strap at the front of the seat.
- 2 Extend the child seat belt by pressing at the text "PRESS" on the child seat upholstery while pulling the belt out. A button located under the upholstery releases the belt catch.
- 3 The position of the buckle can be adjusted from the underside of the seat, see illustration.
- 4 The shoulder straps can be adjusted to fit the height of the child, see "Removing child seat belts to adjust the height or clean the upholstery". This is done by angling the discs at the ends of the lap belts, inserting them through the seat cushion and out through the backrest. The belts are then inserted in the proper slot in the backrest and down through the seat cushion.

WARNING

Make sure the discs are anchored correctly underneath the seat and that the belts are not twisted.



F980A167

Removing child seat belts to adjust the height or clean the upholstery

- 1 Turn the disc on the end of the crotch belt (with lock buckle) at an angle and take it up through the seat cushion.
- 2 Take the discs on the ends of the lap belts (A) up through the seat frame and out through the back of the seat.

If the upholstery is washed: Protect the straps.

Fitting the seat belts

- 1 Insert the discs on the ends of the lap belts from the back of the seat backrest out through its front. Then run the discs down through the seat cushion and out the bottom of the seat frame.
- 2 Turn the disc on the end of the crotch belt (with lock buckle) at an angle and run it down through the seat cushion.