

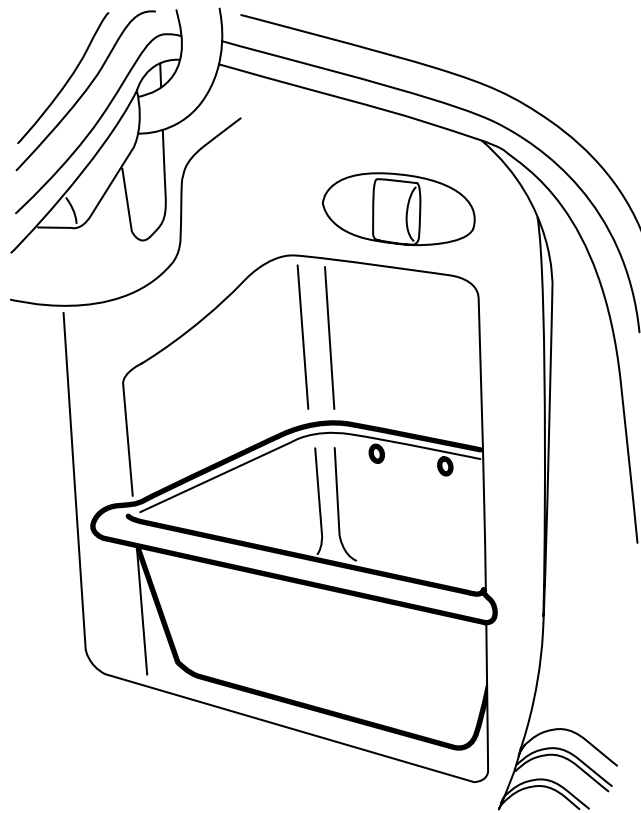


**MONTERINGSANVISNING · INSTALLATION INSTRUCTIONS
MONTAGEANLEITUNG · INSTRUCTIONS DE MONTAGE**

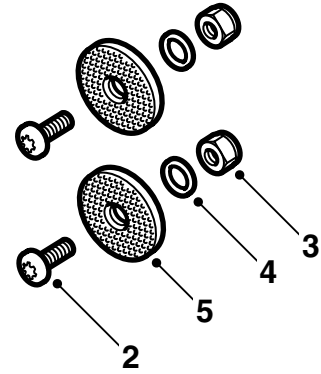
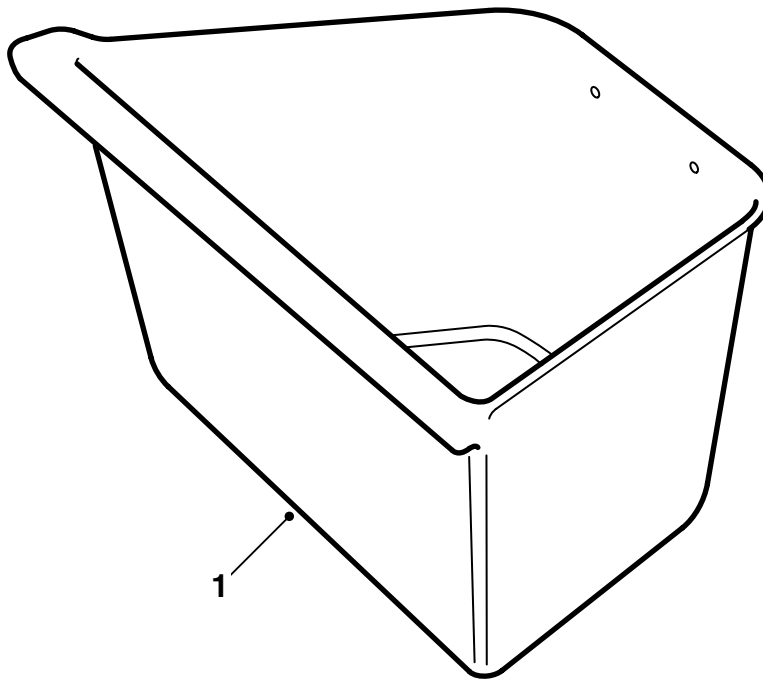
Saab 9-3 M03-

Luggage compartment container

Accessories Part No.	Group	Date	Instruction Part No.	Replaces
12 788 413	9:85-16	Mar 02	12 798 250	

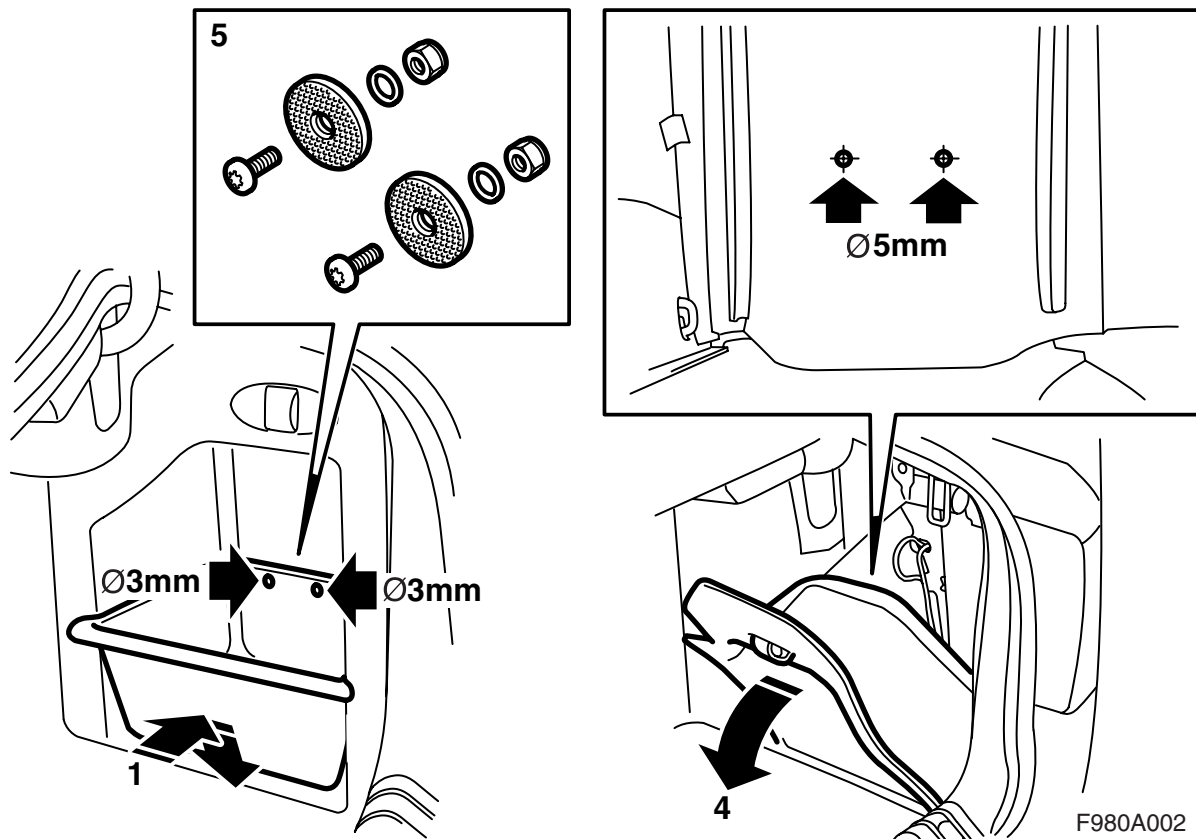


F980A039



F980A001

- 1 Luggage compartment container
- 2 Bolt (x2)
- 3 Nut (x2)
- 4 Washer (x2)
- 5 Velcro attachment (2)



F980A002

- 1 Place the luggage compartment container in the side compartment opening on the right-hand side of the luggage compartment and press down on the inner part of the container bottom.
- 2 Drill two 3 mm holes through the holes in the container, through the velcro and the trim.
- 3 Remove the luggage compartment container.
- 4 Open the hatch in the right rear side trim and drill the holes with a 5 mm drill bit.
- 5 Fit the velcro attachments in the side trim using the bolt, washer and nut.
- 6 Tighten each nut so that two rows of the bolt's thread can be seen past the nut.
- 7 Close the side trim hatch.
- 8 Press the luggage compartment container into the velcro attachments.

Important

The container can hold maximum 5 kg.
