

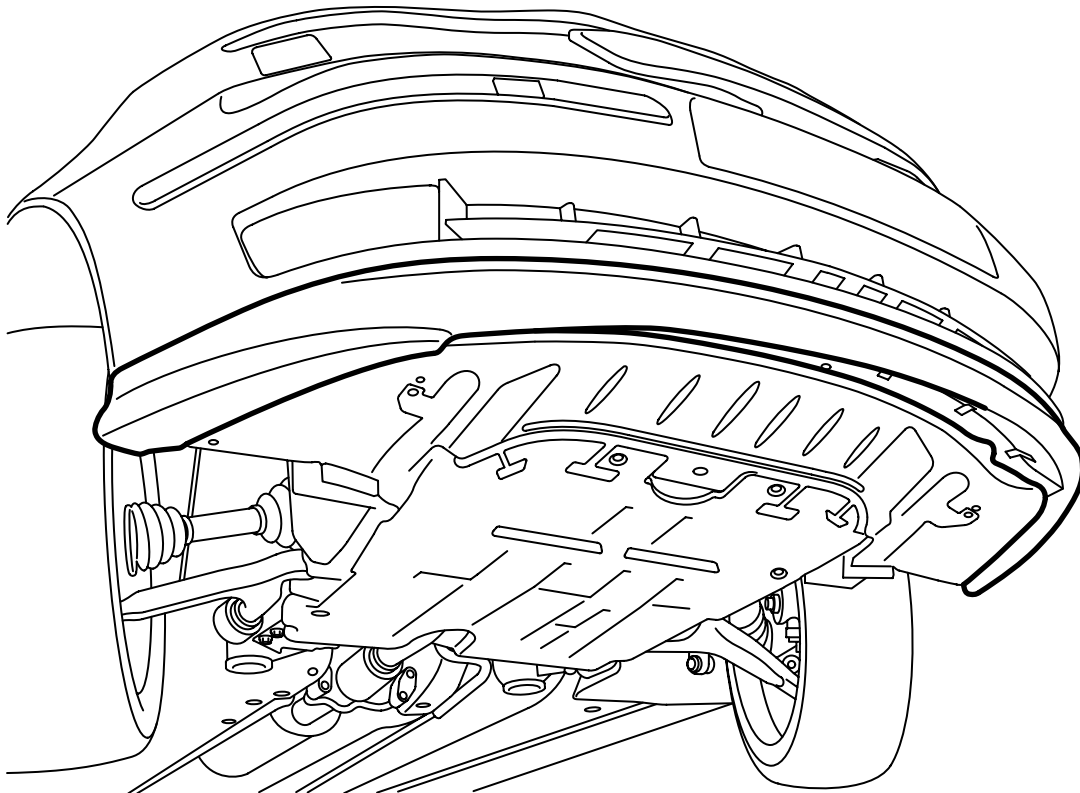


**MONTERINGSANVISNING · INSTALLATION INSTRUCTIONS  
MONTAGEANLEITUNG · INSTRUCTIONS DE MONTAGE**

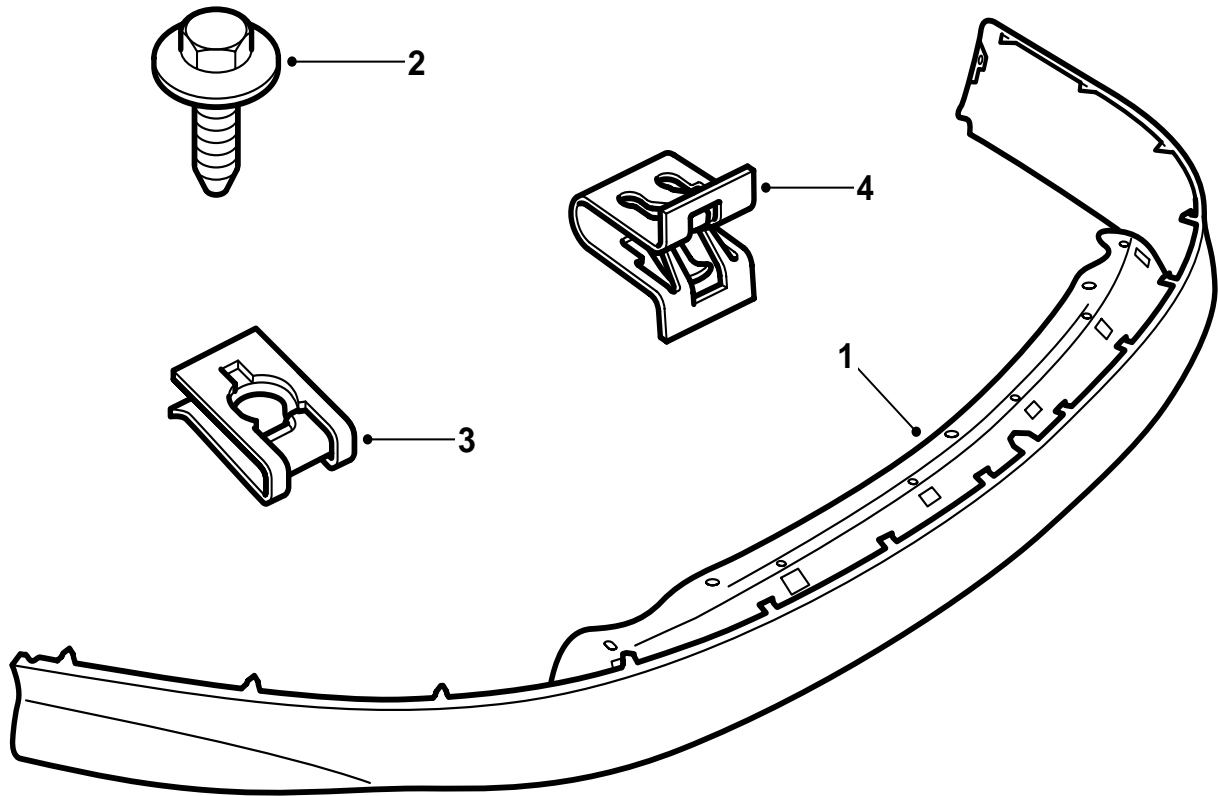
## Saab 9-3 M03-

### Front spoiler

Accessories Part No.	Group	Date	Instruction Part No.	Replaces
12 801 650 12 805 376	9:84-25	Sep 03	12 801 970	12 801 970 Dec 02

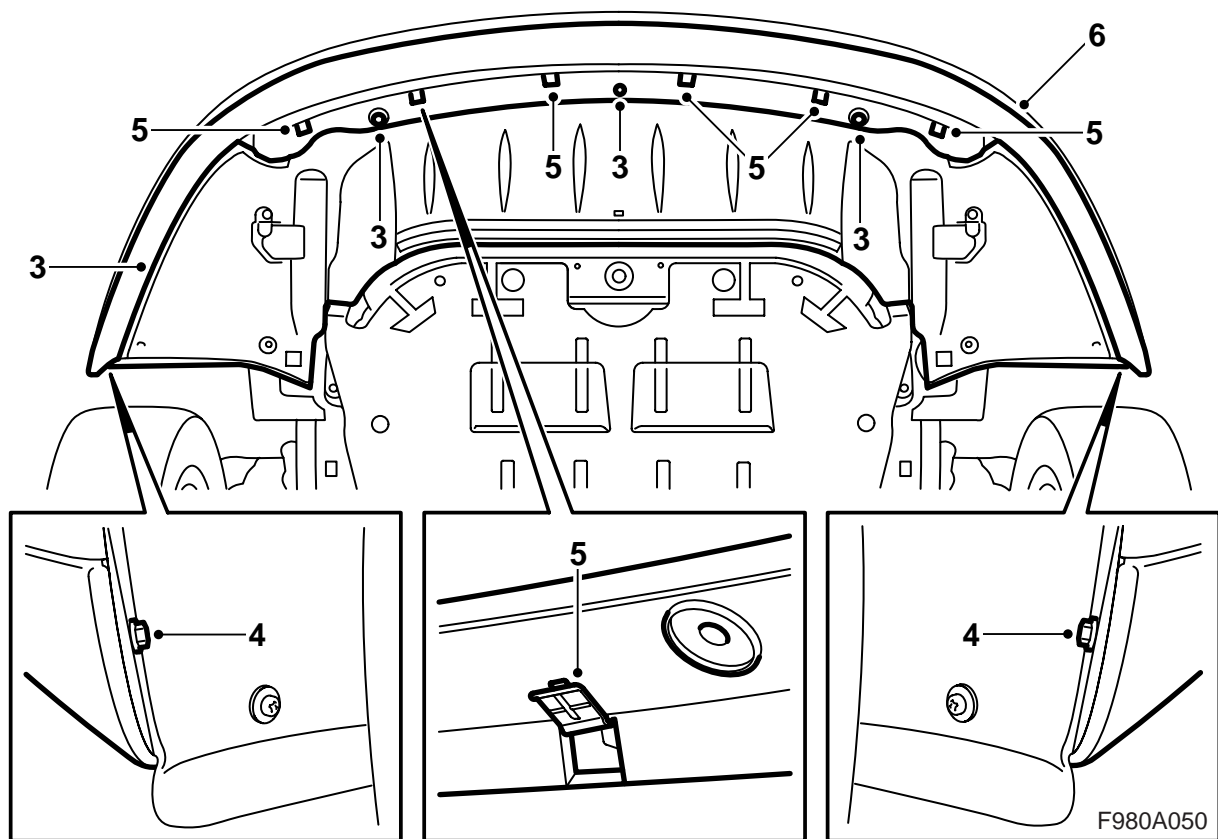


F980A048



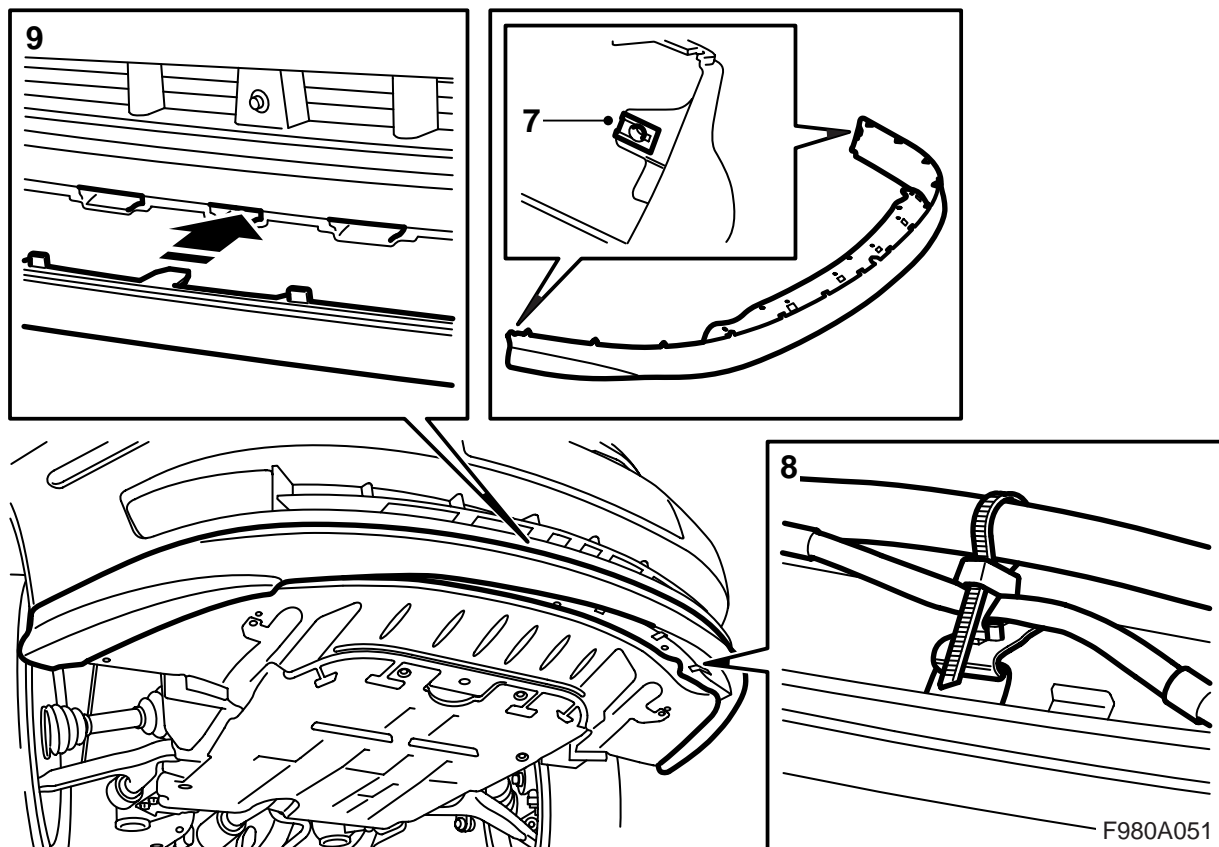
F980A049

- 1 Spoiler
- 2 Screw with washer (x5)
- 3 Clip nut (x2)
- 4 Clips

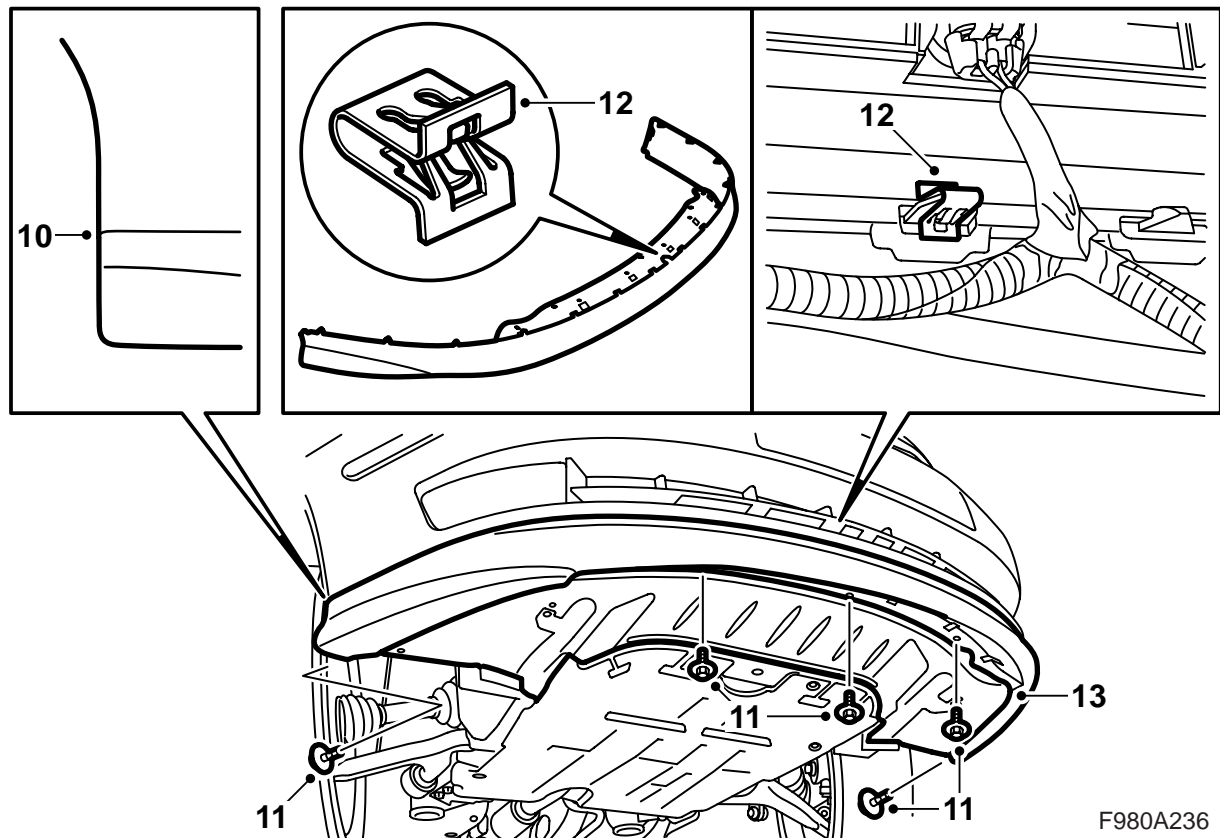


The spoiler has been treated with grey primer and is ready for painting.

- 1 Paint the spoiler the same colour as the body. Refer to "Instructions for painting primed PP/EPDM plastic" in this document.
- 2 Raise the car.
- 3 Remove the spoiler shield, unplug the bumper connector and remove it from the holder on the spoiler shield.  
**Cars with headlamp washers:** Unhook the hose from the spoiler shield.
- 4 Remove the screws from the spoiler, one by each wheel housing and three from below.
- 5 Prise off the fasteners holding the spoiler wiring harness by pressing them forward.
- 6 Pull off the bottom portion of the bumper.



- 7 Fit the clip nuts to the spoiler.
- 8 Lift up the spoiler and fit the wiring harness fasteners to the holes in the spoiler.
- 9 Insert the guides on the spoiler into the bumper and press home the spoiler's catches, starting in the middle and working outwards.



F980A236

- 10 Check the alignment of the rear edges of the spoiler and the wheel housings.
  - 11 Fit the screws to secure spoiler.
  - 12 Fit the clip onto the spoiler guide tab.
  - 13 Lift up the spoiler shield, fit the bumper connector into the holder and plug in the connector.
- Cars with headlamp washers:** Hook the hose to the spoiler shield.
- All:** Fit the spoiler shield.
- 14 Lower the car.
  - 15 **Cars with headlamp washers:** Check the function of the headlamp washers.

### **Directions for painting preprimed PP/EPDM plastic**

- The spoiler must be placed where it will not be deformed while painting.
- The temperature must not exceed +40 °C (104 °F).
- The spoiler is pre-primed on delivery
- Use clean gloves when handling the spoiler

### **Drying times**

70 minutes at 40°C (104°F).

### **Preparations**

- Smooth off the primed surface thoroughly. Use abrasive paper 3M 1200 or 800.