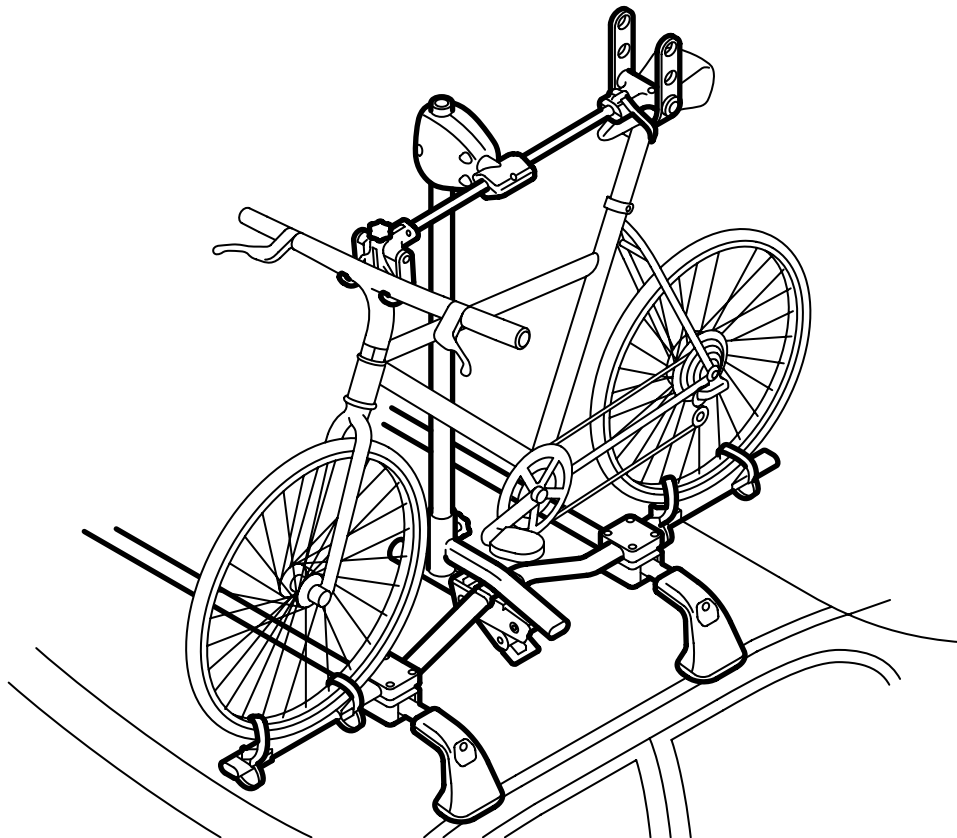


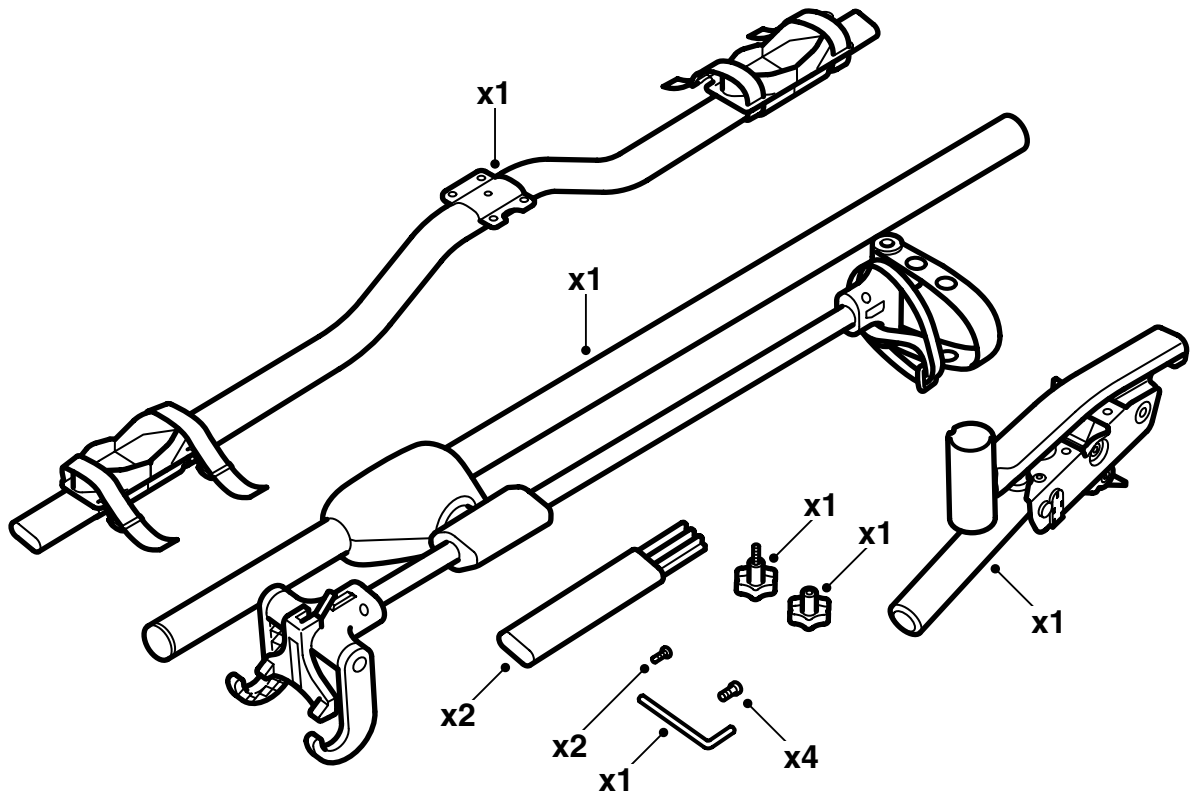


**MONTERINGSANVISNING · INSTALLATION INSTRUCTIONS
MONTAGEANLEITUNG · INSTRUCTIONS DE MONTAGE**

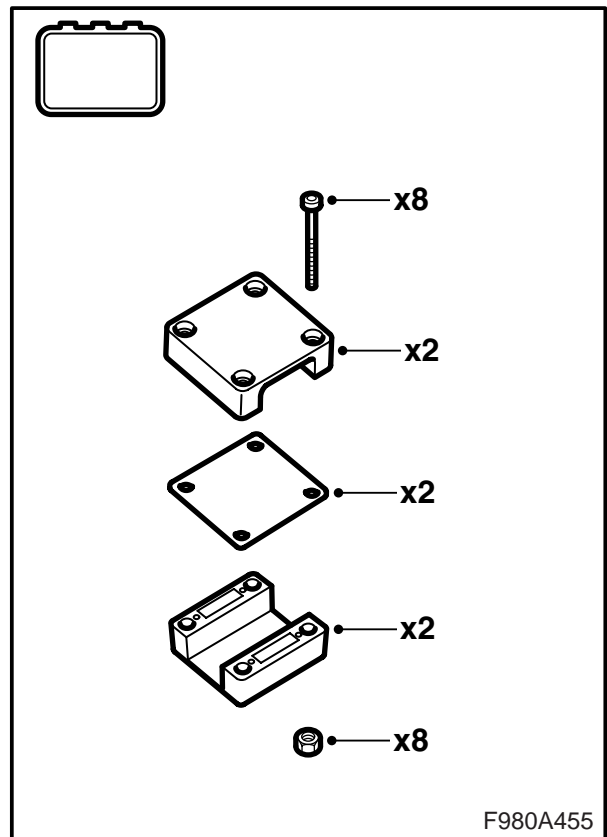
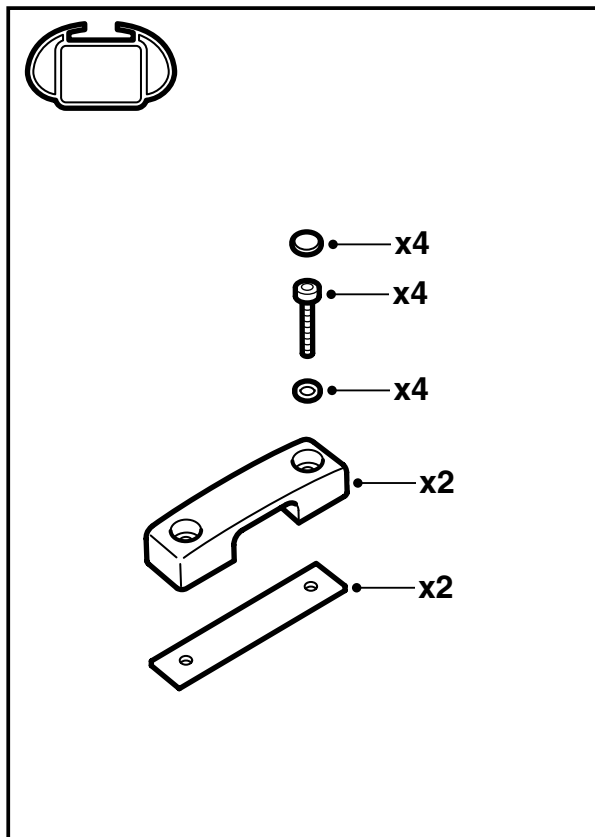
Accessories Part No.	Date	Instruction Part No.	Replaces
12 829 284	Oct 10	12 829 285	



F980A453



F980A454



F980A455

Important

- Read the installation instructions carefully before using the accessory.
- Any product modifications shall not be conducted as expressly not stated in the installation instruction.
- Saab Automobile AB is not responsible for any damage caused by incorrectly installed accessories.
- In the event of uncertainty, contact your nearest dealer.

WARNING

Adapt the speed of the car to take into account the change in centre of gravity and aerodynamics caused by the weight and profile of the roof load.

Remove any parts that can come loose from the bike, child seat and saddlebags for example, before placing the bike on the roof of the car.

The mountings must be fitted around the rail and not around its extension pieces. Position the mountings so that the protrusion is approx. 25 cm (10 in).

When the bike holder bar is to be raised with no bike attached, the bar will raise with excessive force since the tension in the spring corresponds to the weight of the bike. This poses a risk for personal injury.

- The bike holder is constructed for safe transport provided that it has been properly mounted and is facing in the correct direction. .
- Maximum permitted roof load (including load carriers): See the Owner's Manual for the car and information relating to the load carriers.
Bike holder weight: 6.8 kg (15 lb).
- Make sure all fasteners are secured before driving off. Stop after a short distance and check that all the fasteners are secure.
- Pay particular attention to the height of the vehicle with the bike holder fitted.
- For reasons of traffic safety and to reduce wind resistance, the holder should be removed when not in use. Remove the holder and bar from the lever and store it in the car's luggage compartment.
- The load carriers should be removed before the car is taken through an automatic car wash.
- These installation instructions should be stored in the car.
- The holder must only be used for transporting bicycles.

- Note that the car's handling characteristics (under high side-winds, cornering or braking) will change when driving with the holder loaded.
- The holder has two locking positions (raised/lowered). A "click" sound confirms that the correct position has been engaged.

Advice and tip

- Conduct regular maintenance on the holder, including keeping it free from dirt and salt and lubricating the locks.
- Check that wires and cables are not damaged during tensioning.

