

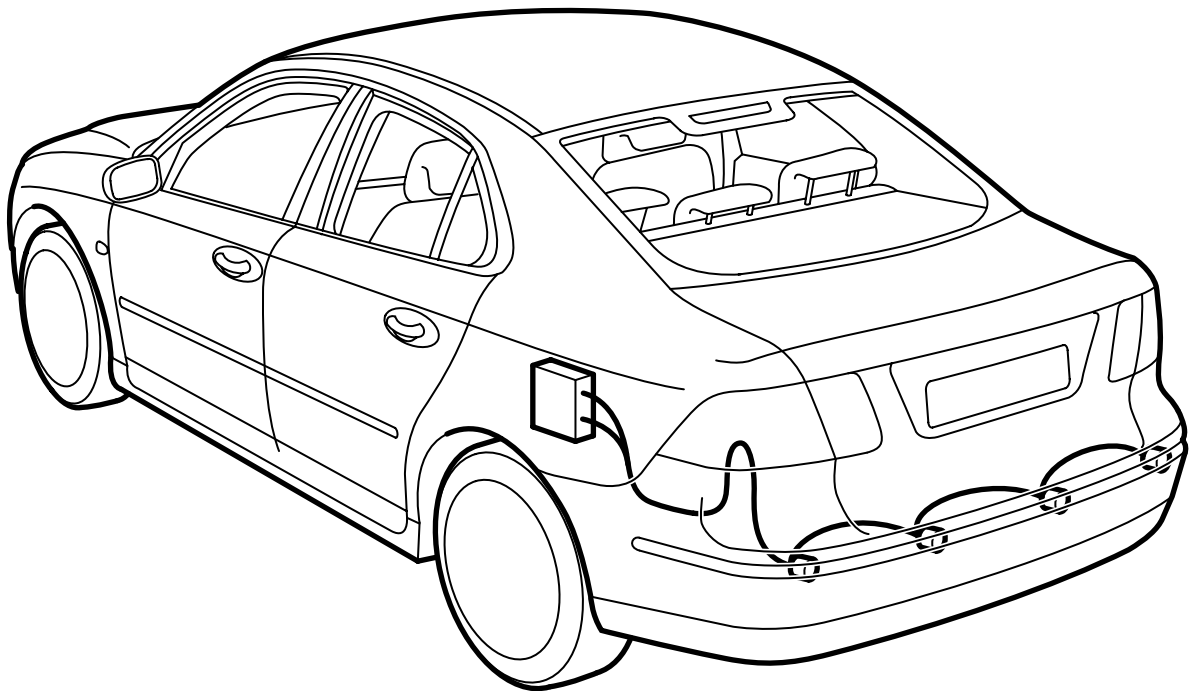


**MONTERINGSANVISNING · INSTALLATION INSTRUCTIONS
MONTAGEANLEITUNG · INSTRUCTIONS DE MONTAGE**

Saab 9-3

Parking assistance (SPA)

Accessories Part No.	Group	Date	Instruction Part No.	Replaces
32 025 902 32 025 903 32 025 904 32 026 045	9:40-08	May 07	32 025 940	32 025 940 Oct 06

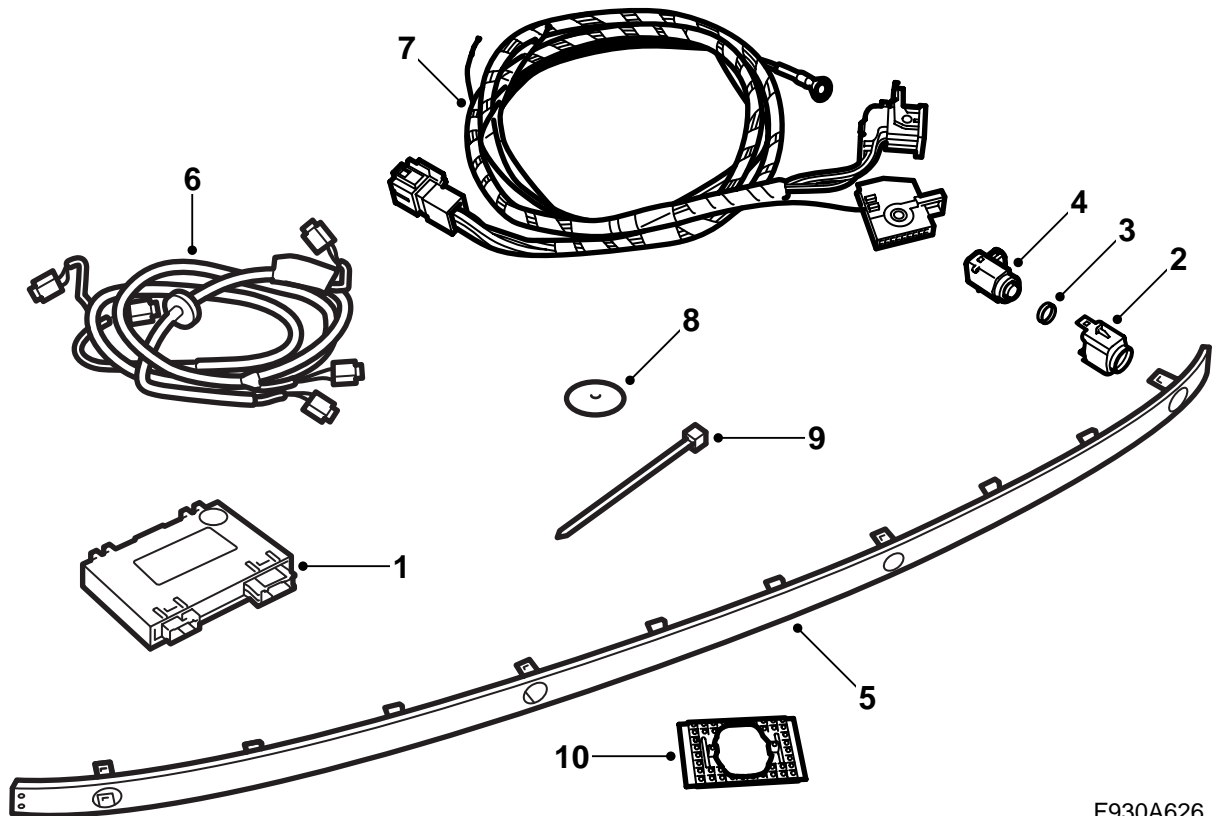


F930A042

4D, see page 2-13

5D, see page 14-30

CV, see page 31-42



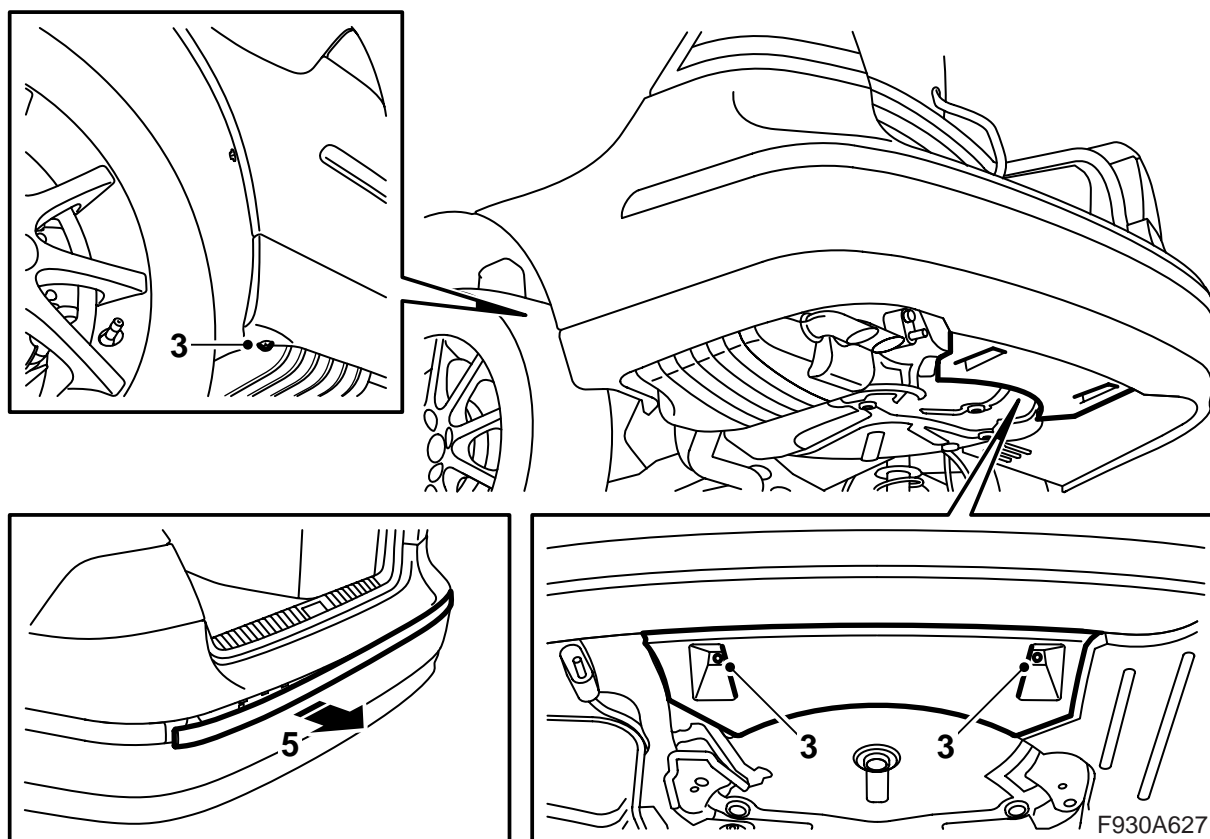
F930A626

4D

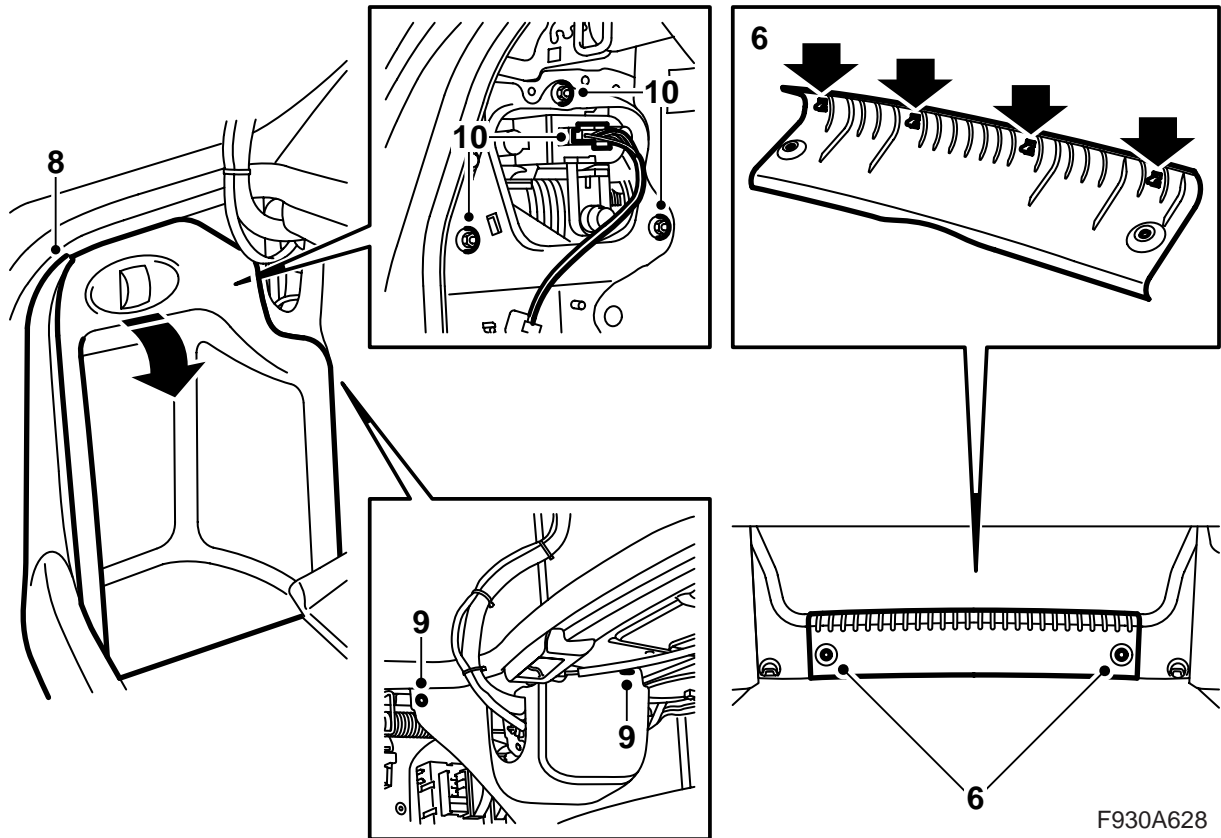
- 1 SPA control module
- 2 **M03-07**: Holder (x4)
- 3 **M03-07**: Seal (x4)
- 4 **M03-07**: Distance sensor (x4)
- 5 **M03-07**: Decor strip, bumper
- 6 Wiring harness, distance sensor
- 7 SPA wiring harness
- 8 Dust cover
- 9 Cable tie (x8)
- 10 **M08**: Tape

The following parts must be ordered separately

- M08**: Hole-punching tool
- M08**: Distance sensor (x4)
- M08**: Holder (x4)

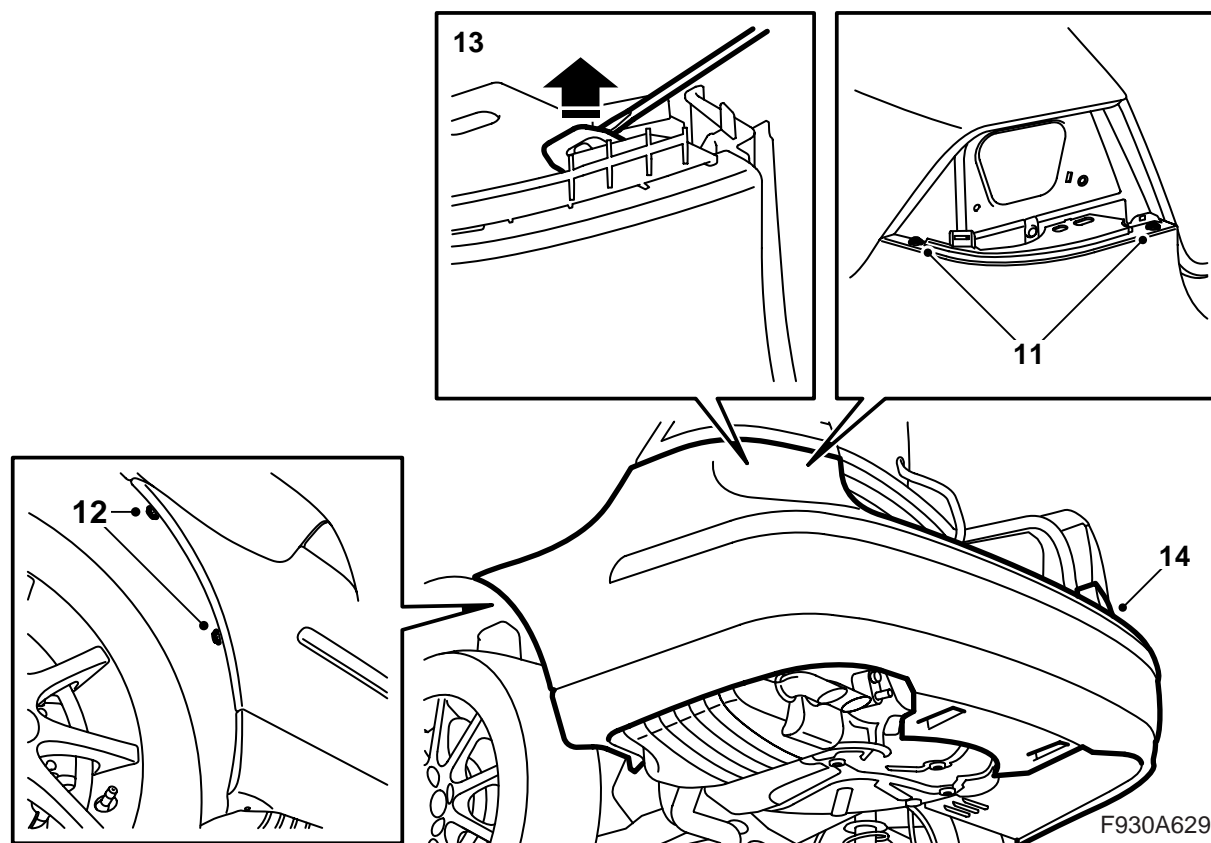


- 1 Open the boot lid.
- 2 Turn the ignition key to the OFF position and remove the key. Raise the car.
- 3 Remove the two nuts holding the rear bumper air shield against the body and the two bolts holding the bumper shell against the wheel housings.
- 4 Lower the car.
- 5 **M03-07**: Remove the decor strip from the rear bumper.



F930A628

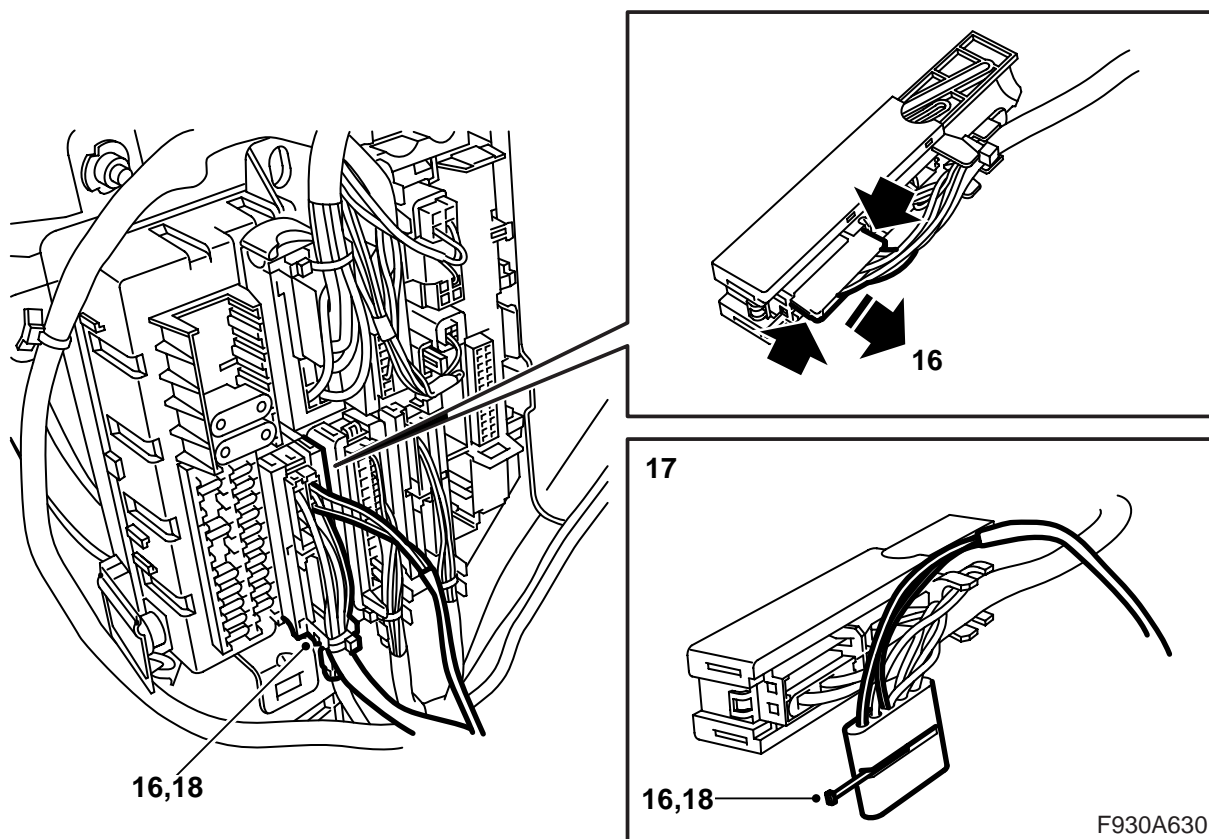
- 6 **M03-07:** Raise and fold aside the luggage compartment floor and remove the luggage compartment scuff plate.
- 7 Remove the panel in the luggage compartment side trim.
- 8 **M03-07:** Remove the side scuff plates.
- 9 Remove the clips and fold aside the side trims on the left and right-hand sides.
- 10 Remove the rear lamp clusters.



- 11 **M03-07:** Remove the bolts for the bumper shell which are located under the rear lamp clusters.
- 12 Remove the bumper bolts at the wheel housings.
- 13 **M08:** Release the bumper's upper mounting by the rear lamp clusters.
- 14 Remove the bumper shell by pulling the sides outwards and then pulling the bumper shell rearwards.

Important

Place the bumper on a soft, clean surface.

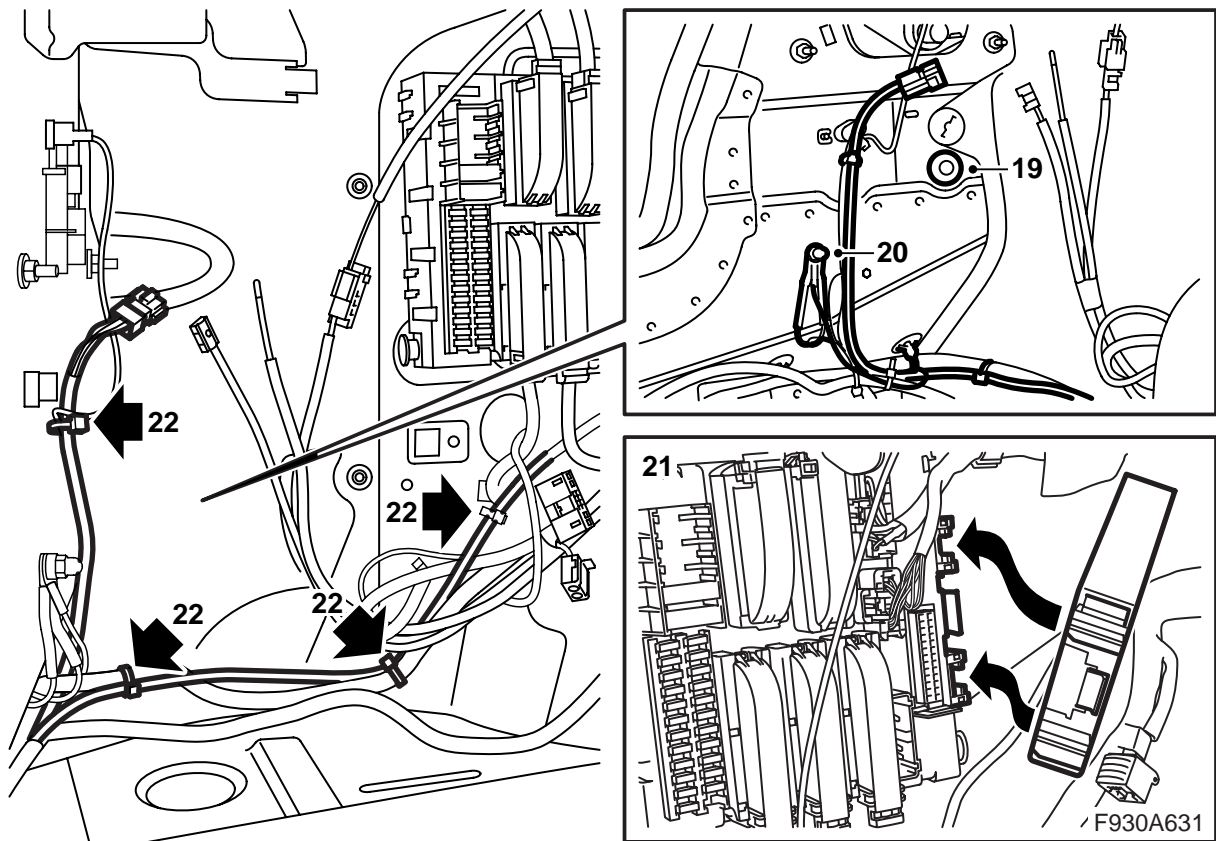


- 15 Remove the console in which such equipment as a CD changer/amplifier may be fitted. Disconnect the connections to any equipment in the console.

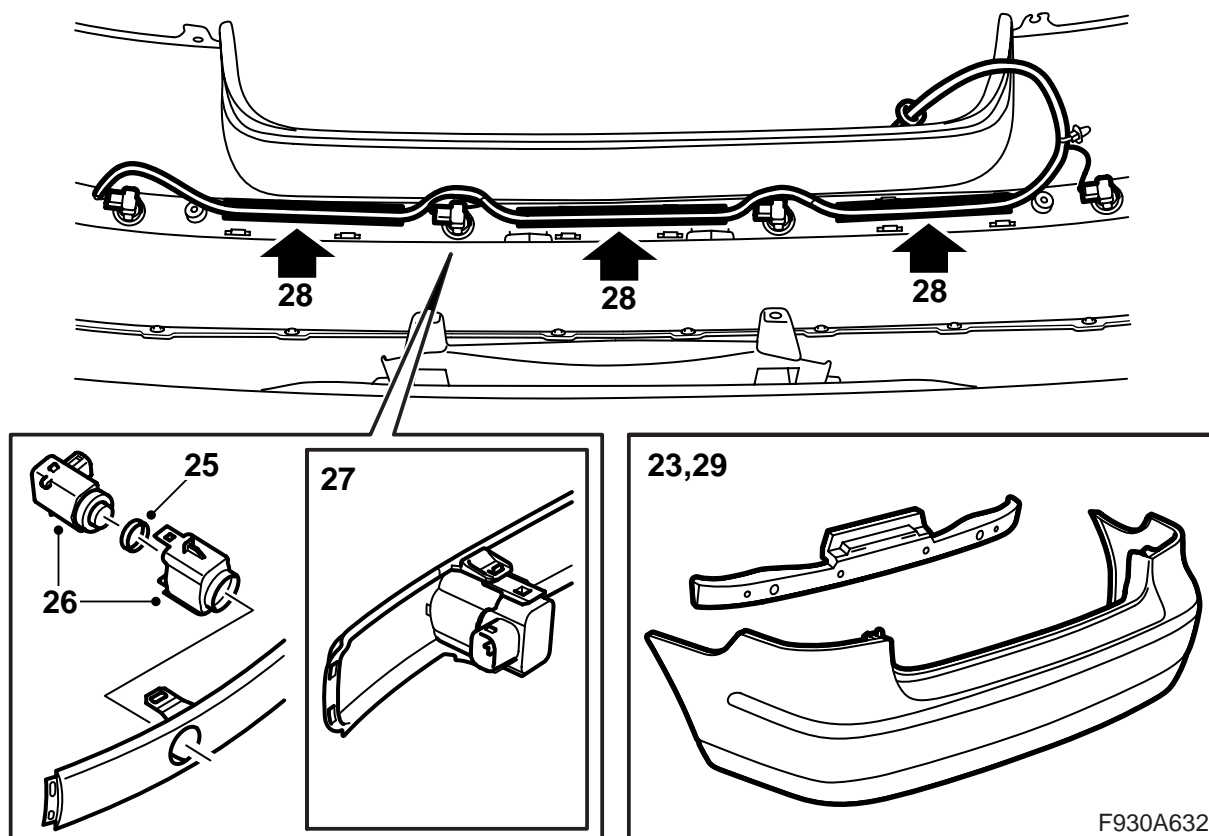
⚠ WARNING

Certain cars: The visible red light is a class 1 laser. Do not look directly into the optical fibre or the control module connector at close range. A distance of less than 20 mm between your eyes and the light source may cause eye injury.

- 16 Remove the connector for the rear harness (blue) from the fuse box. Unplug connector A1 from the blue connector. Remove the lock.
- 17 Fit the kit's wiring harness. Fit the red cable to connector A1 in position 1. Fit the green cable to connector A1 in position 4.
- 18 Fit the lock. Plug connector A1 into the blue connector.



- 19 Remove the rubber plug from under the left-hand rear lamp cluster.
- 20 Connect the ground cable.
- 21 Connect the control module and fit it into the slots on the rear fuse box.
- 22 Position the wiring harness and secure with cable ties.

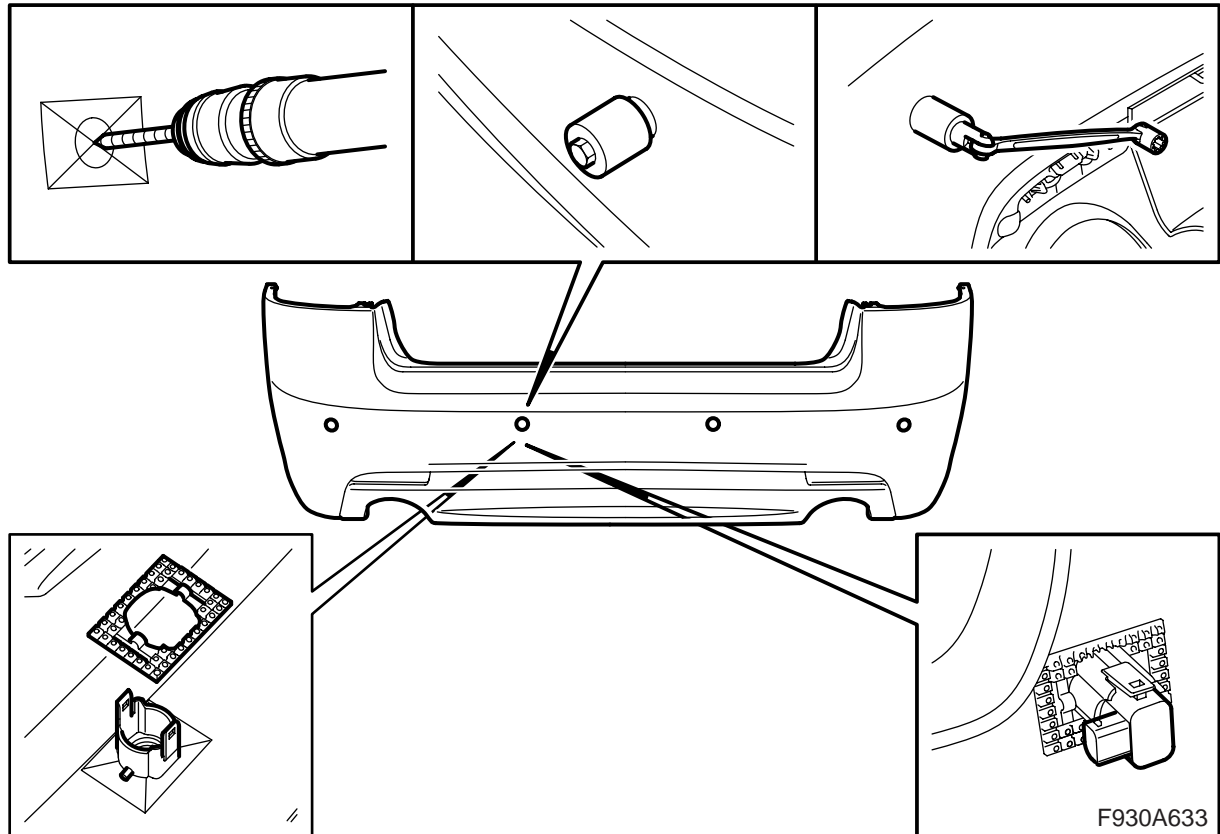


- 23 Remove the support from the bumper shell.
- 24 **M03-07:** Align the bumper shell's decor strip using the guide tab and press in the hooks starting in the centre and then continuing out to the sides.
- 25 **M03-07:** Fit the seals on the sensors.
- 26 **M03-07:** Fit the distance sensors and holders together.
- 27 **M03-07:** Fit the distance sensors into the decor strip mountings.

Important

The connector sockets for the distance sensors should point towards the right-hand side of the car.

- 28 **M03-07:** Fit the wiring harness for the sensors in the bumper shell groove.
- 29 **M03-07:** Fit the support to the bumper shell.



- 30 **M08:** Drill 8 mm holes (from the inside of the bumper shell) in the centre of each marking (x 4).

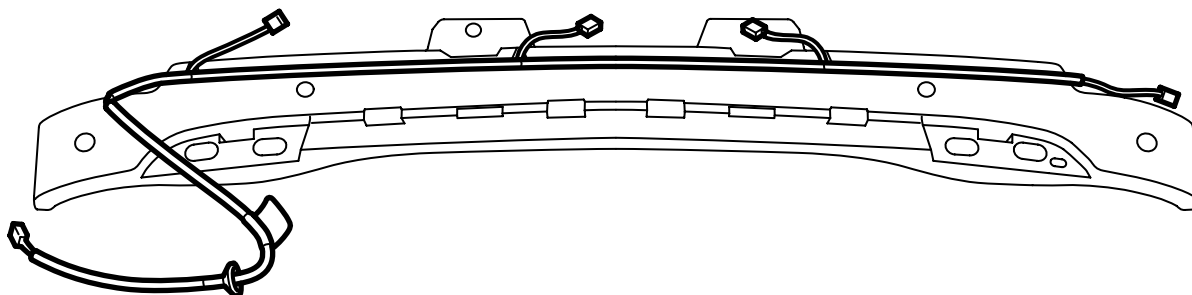
Position the hole-punching tool from the outside of the bumper. Grip on the outside, at the same time tighten the nut from the inside until the hole-punching tool is pressed through the whole of the bumper shell. Carry out the hole-making procedure for all four holes.

Fit the tape and holders for the sensors in accordance with the markings in the bumper shell.

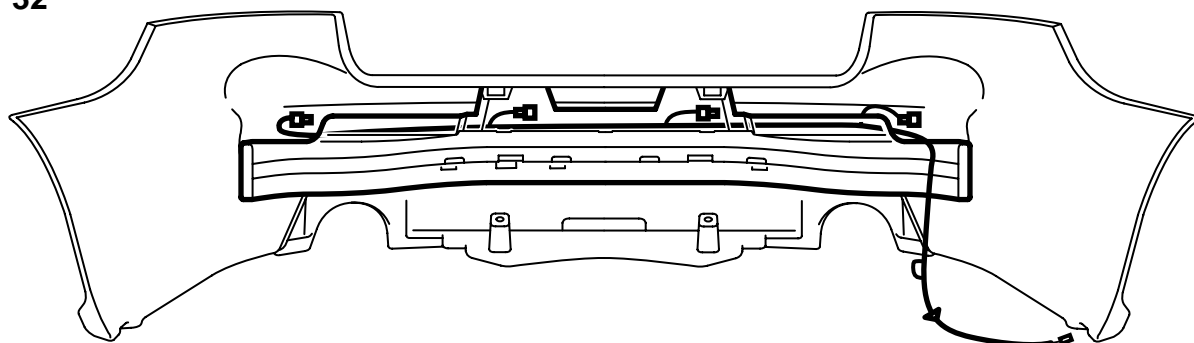
Important

The connector sockets for the distance sensors should point towards the right-hand side of the car.

31



32



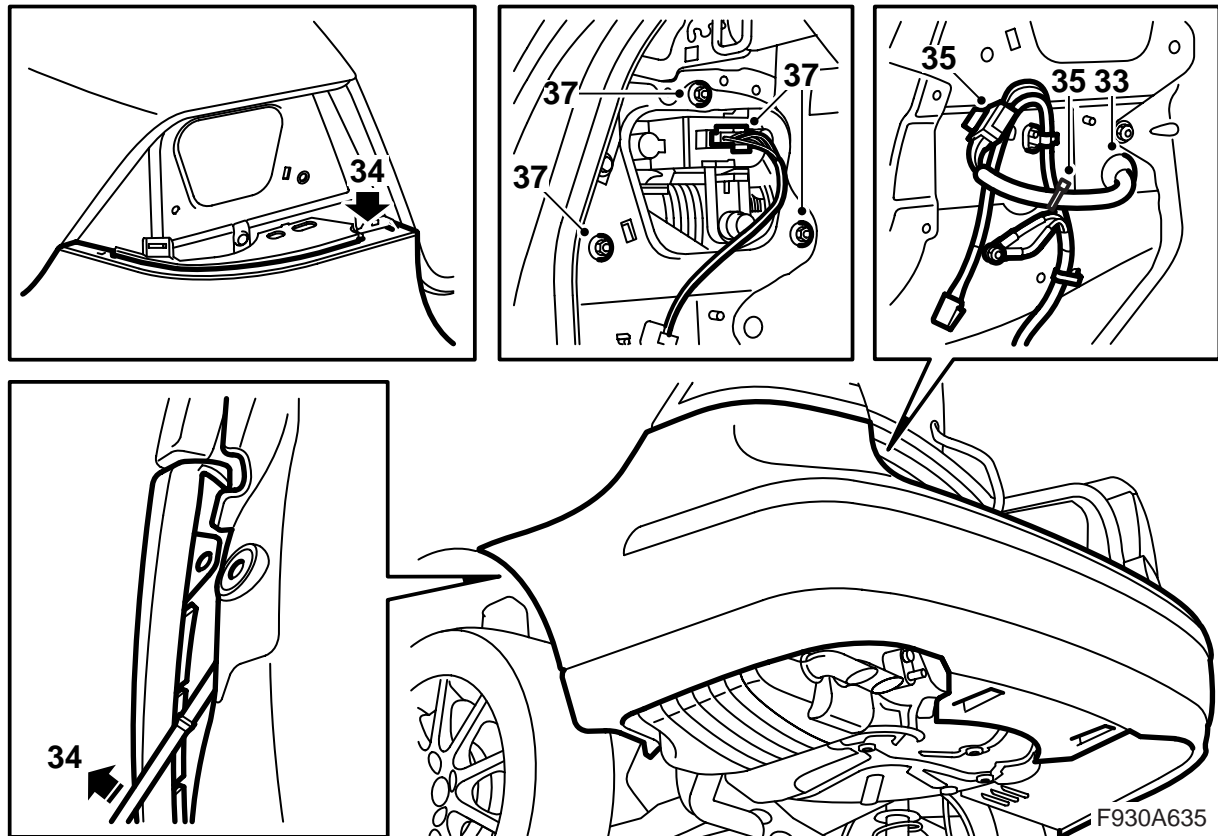
F930A634

31 **M08:** Fit the wiring harness in the support for the bumper shell.

32 **M08:** Fit the support to the bumper shell.

 **WARNING**

Check that the wiring harness is not pinched. Incorrect fitting can damage the wiring harness and cause a short-circuit/fire.

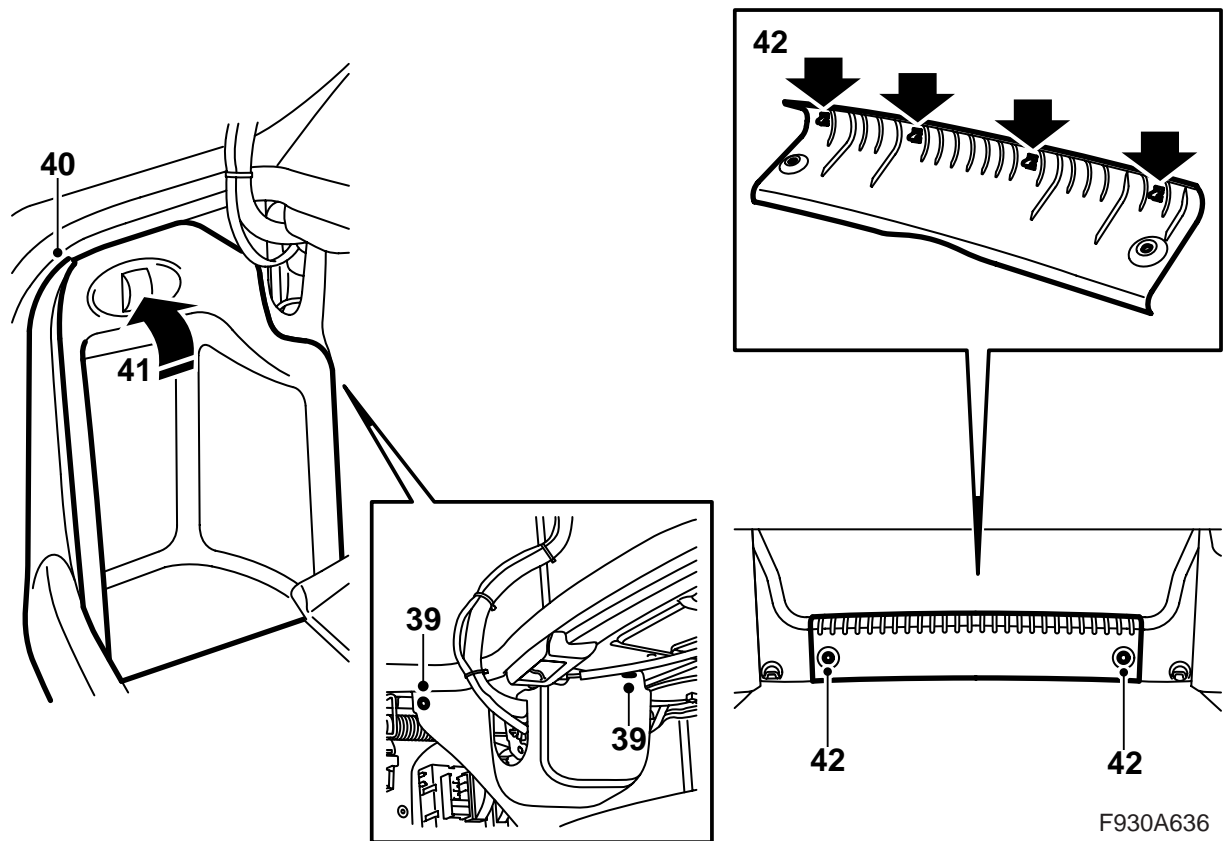


- 33 Lift up the bumper shell and thread the wiring harness through the hole under the left-hand rear lamp cluster. Fit the grommet.
- 34 Fit in the two tabs of the bumper shell under the holders and the outer corners between the wing liner and the mounting points at the wheel housings. Press the bumper shell into place.

⚠ WARNING

Check that the wiring harness is not pinched. Incorrect fitting can damage the wiring harness and cause a short-circuit/fire.

- 35 Connect the wiring harness for the bumper to the kit's wiring harness. Fit the connector into the hole beside the left-hand rear lamp cluster. Fasten the wiring harness for the distance sensors with a cable tie.
- 36 **M03-07:** Fit the bolts for the bumper shell which are located under the rear lamp clusters.
- 37 Fit and connect the rear lamp clusters. Check the fit against the boot lid moulding.



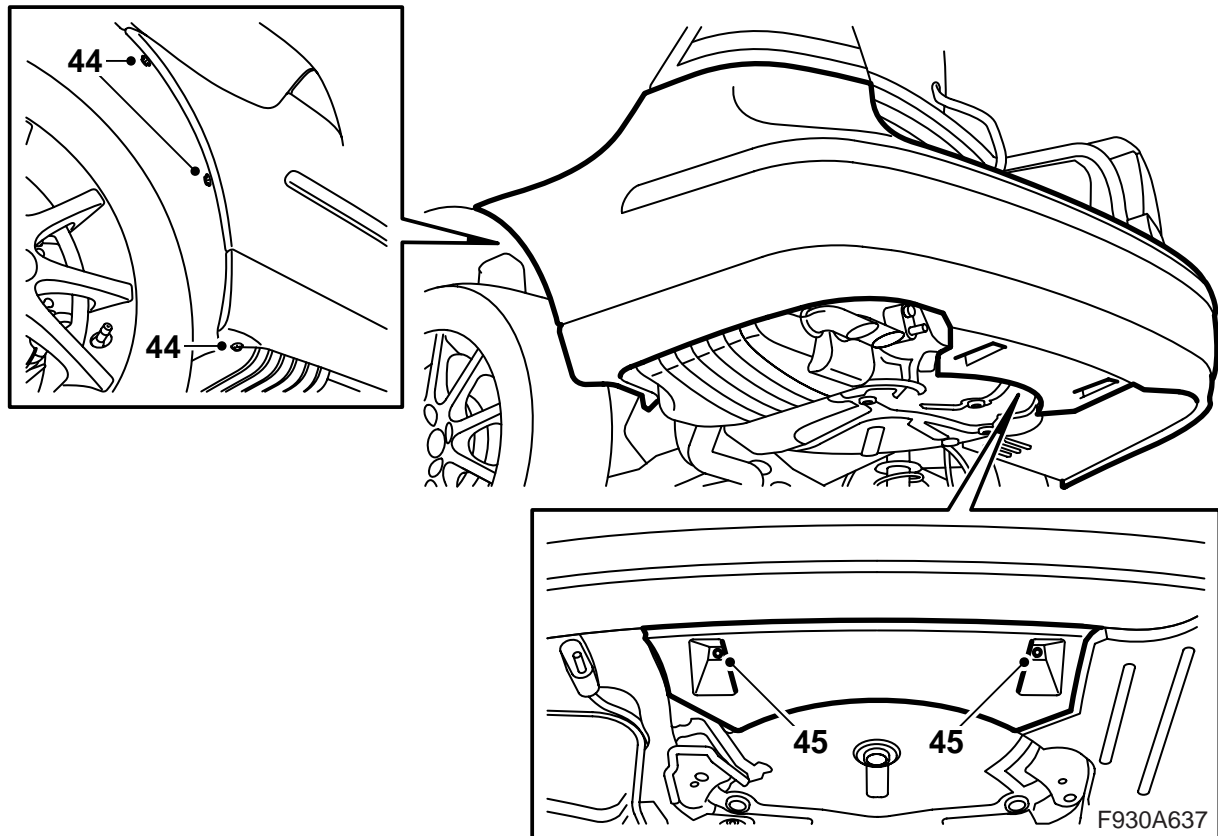
F930A636

- 38 Fit the console in which such equipment as a CD changer/amplifier may be fitted. Plug in the connections to any equipment in the console.

⚠ WARNING

Certain cars: The visible red light is a class 1 laser. Do not look directly into the optical fibre or the control module connector at close range. A distance of less than 20 mm between your eyes and the light source may cause eye injury.

- 39 Fit the side trims.
- 40 **M03-07:** Fit the side scuff plates.
- 41 Fit the panels and the clips in the luggage compartment's side trims.
- 42 **M03-07:** Fit the scuff plate and lower the luggage compartment floor.



- 43 Raise the car.
- 44 Fit the bumper bolts at the wheel housings.
- 45 Fit the two nuts holding the rear bumper air shield against the body.
- 46 Lower the car.
- 47 Close the boot lid.
- 48 Check the fit of the bumper. Adjust as necessary.
- 49 Connect the diagnostic tool, select car and model year, select "All", select "Add/Remove", select the accessory and then "Add".

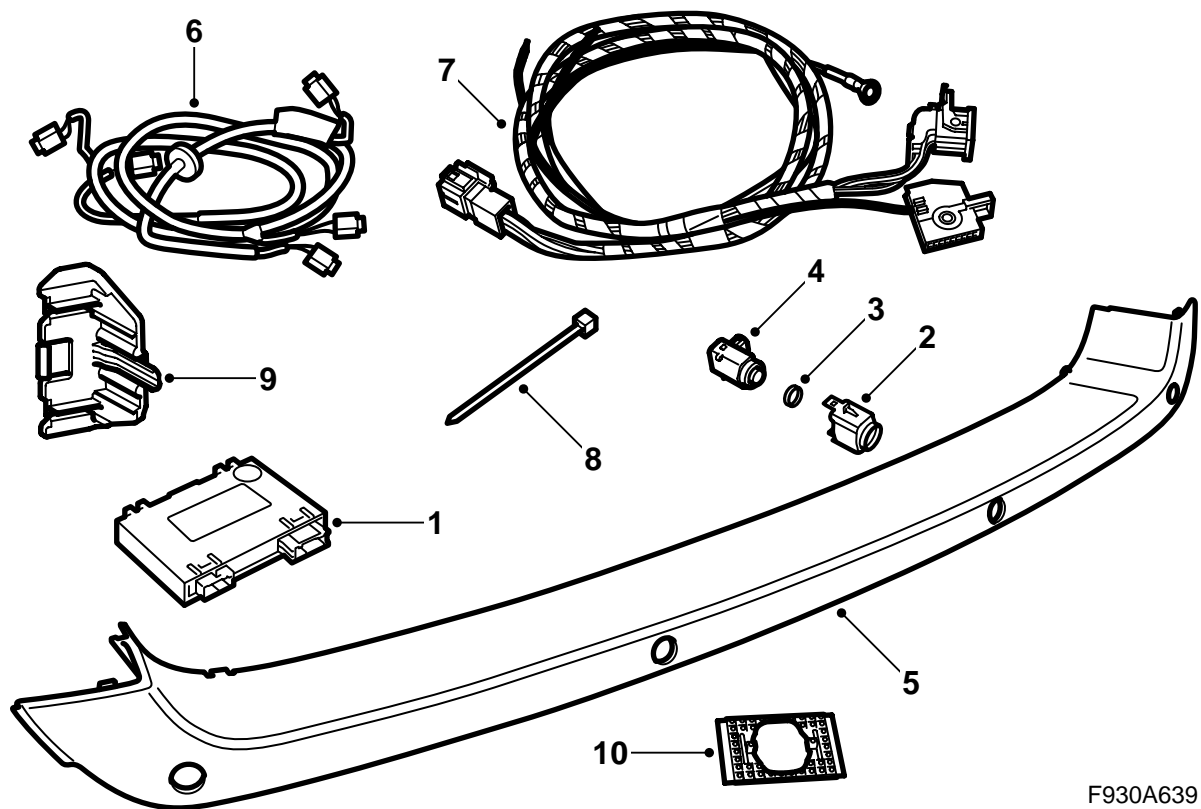
Note

The diagnostic tool will, on some occasions, need to retrieve a security code in TIS. Information on what to do will be displayed on the diagnostic tool display.

- 50 With the ignition key in the ON position and reverse gear engaged, check that the system warns against objects in the rear by using tones. The first tone is given when an object is at a distance of 1.8 metres. The signal then has a frequency of 2 tones per second, but the number of tones per second increases the closer the object becomes to the vehicle and changes as follows:

- 1.8 - 1.3 m: 2 tones/second
- 1.3 - 0.9 m: 3 tones/second
- 0.9 - 0.3 m: from 5 to 12 tones/second in close stages
- 0.3 m: continuous tone

5D

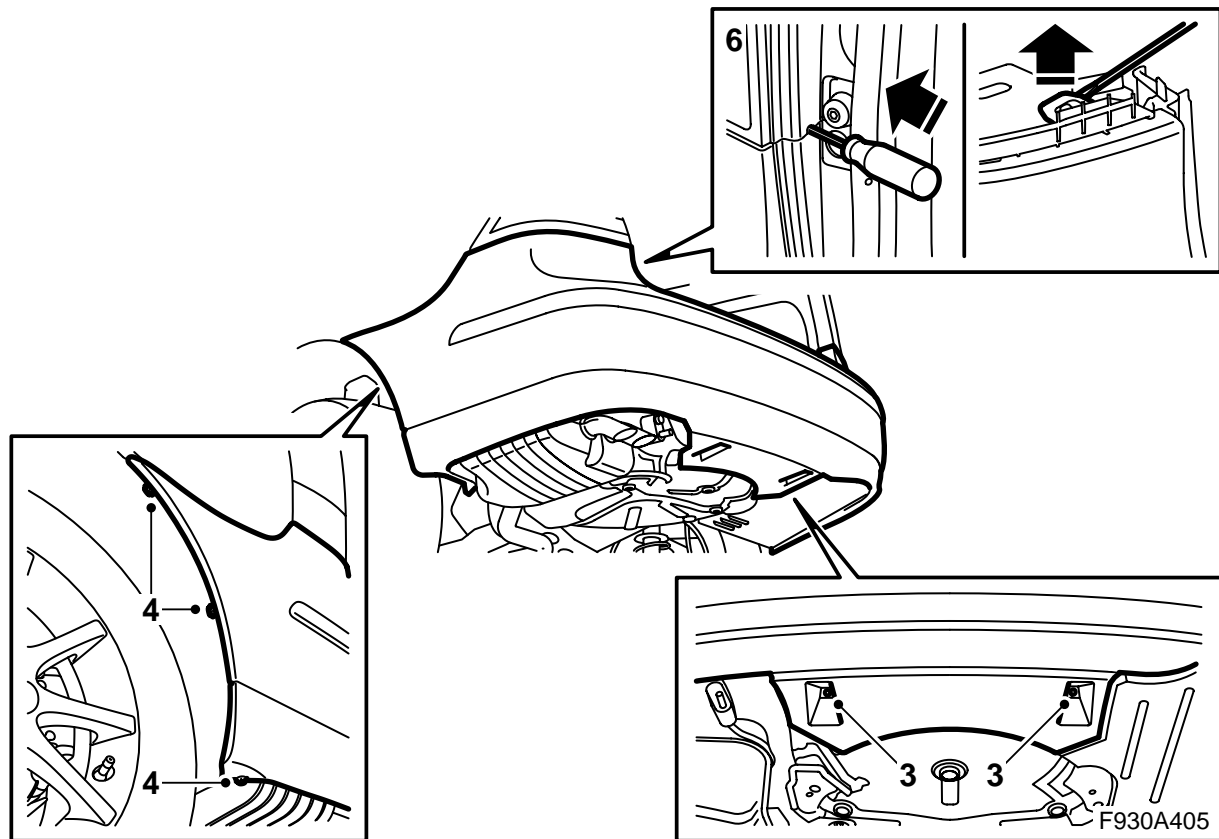


F930A639

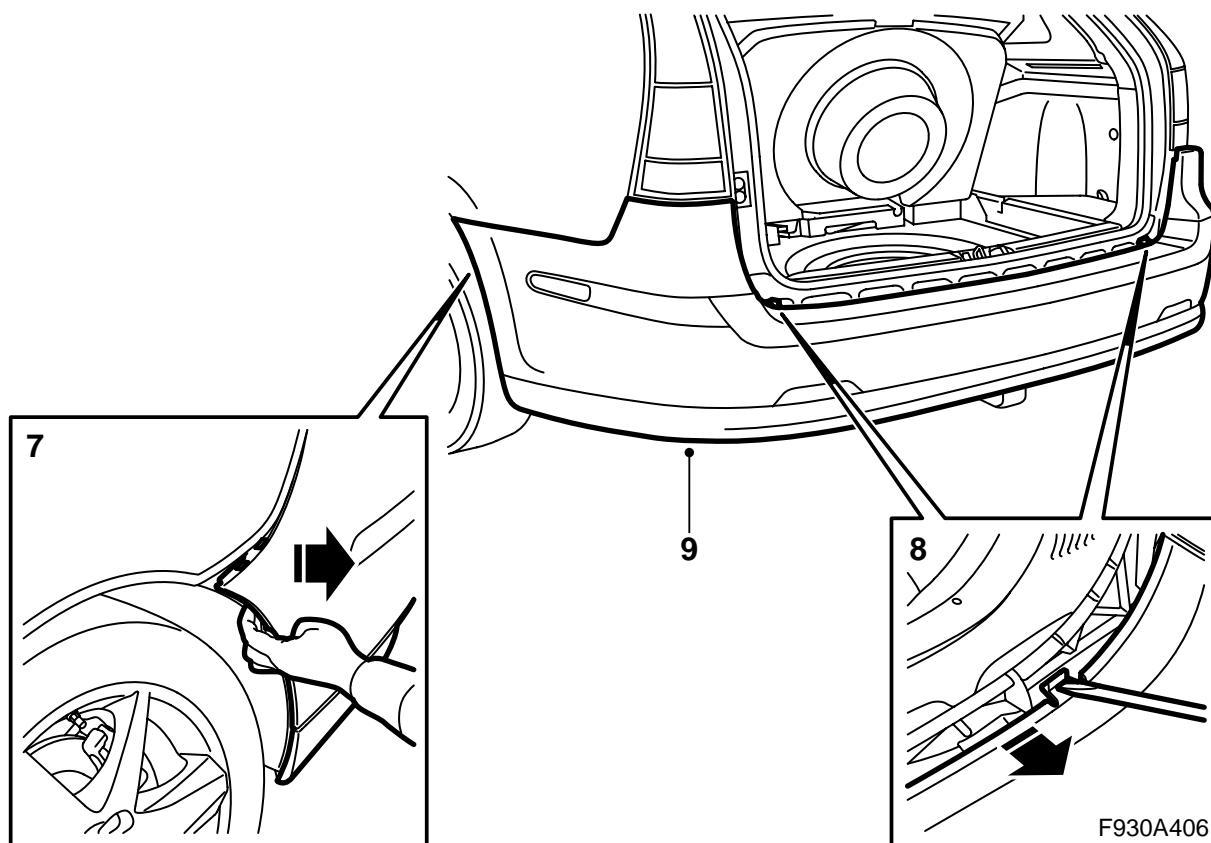
- 1 SPA control module
- 2 **M06-07**: Holder (x4)
- 3 **M06-07**: Seal (x4)
- 4 **M06-07**: Distance sensor (x4)
- 5 **M06-07**: Protective shell, bumper
- 6 Wiring harness, distance sensor
- 7 Wiring harness, rear harness
- 8 Cable tie (x8)
- 9 Bracket
- 10 **M08**: Tape

The following parts must be ordered separately

- M08**: Hole-punching tool
- M08**: Distance sensor (x4)
- M08**: Holder (x4)



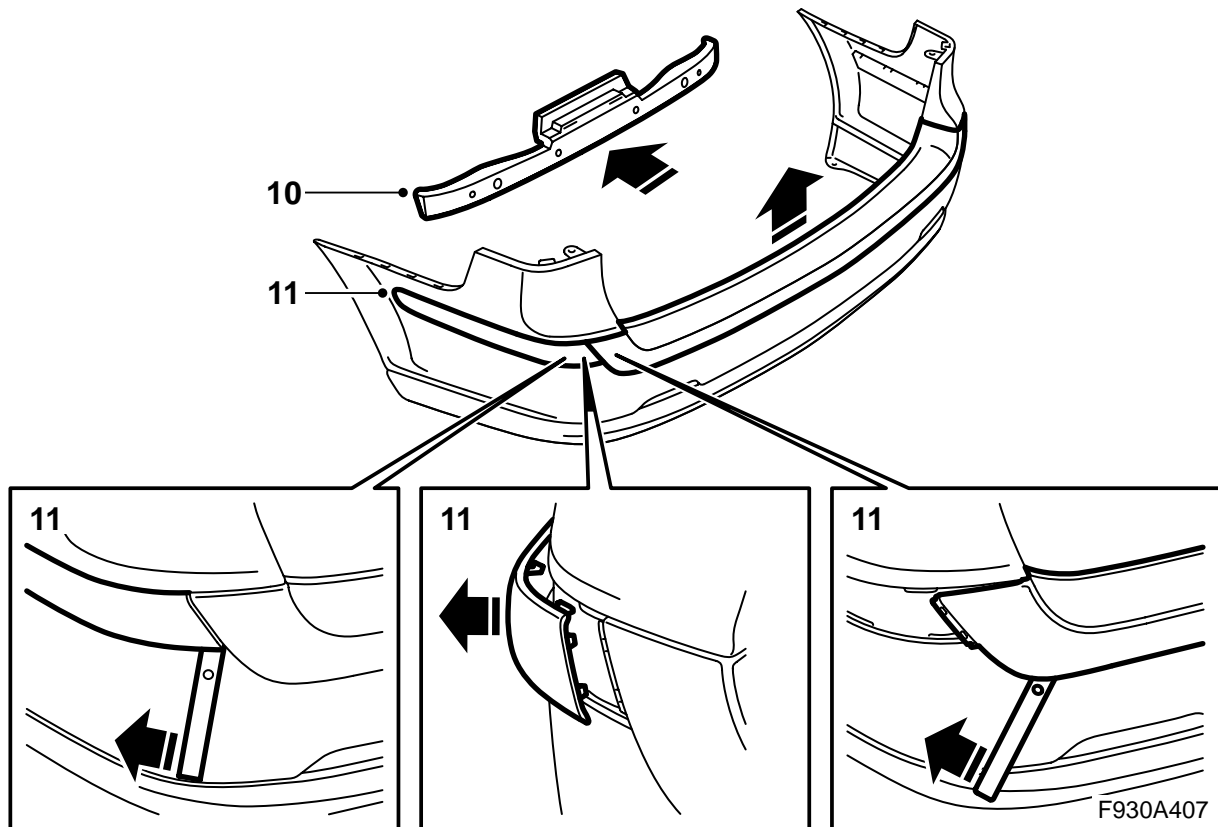
- 1 Turn the ignition key to the OFF position and remove the key.
- 2 Raise the car.
- 3 Remove the spoiler's centre nuts.
- 4 Remove the screws to the wheel housing.
- 5 Lower the car and open the tailgate.
- 6 Insert a screwdriver in the hole to reach under the catch for the bumper shell. Bend up using the screwdriver to release the catch.



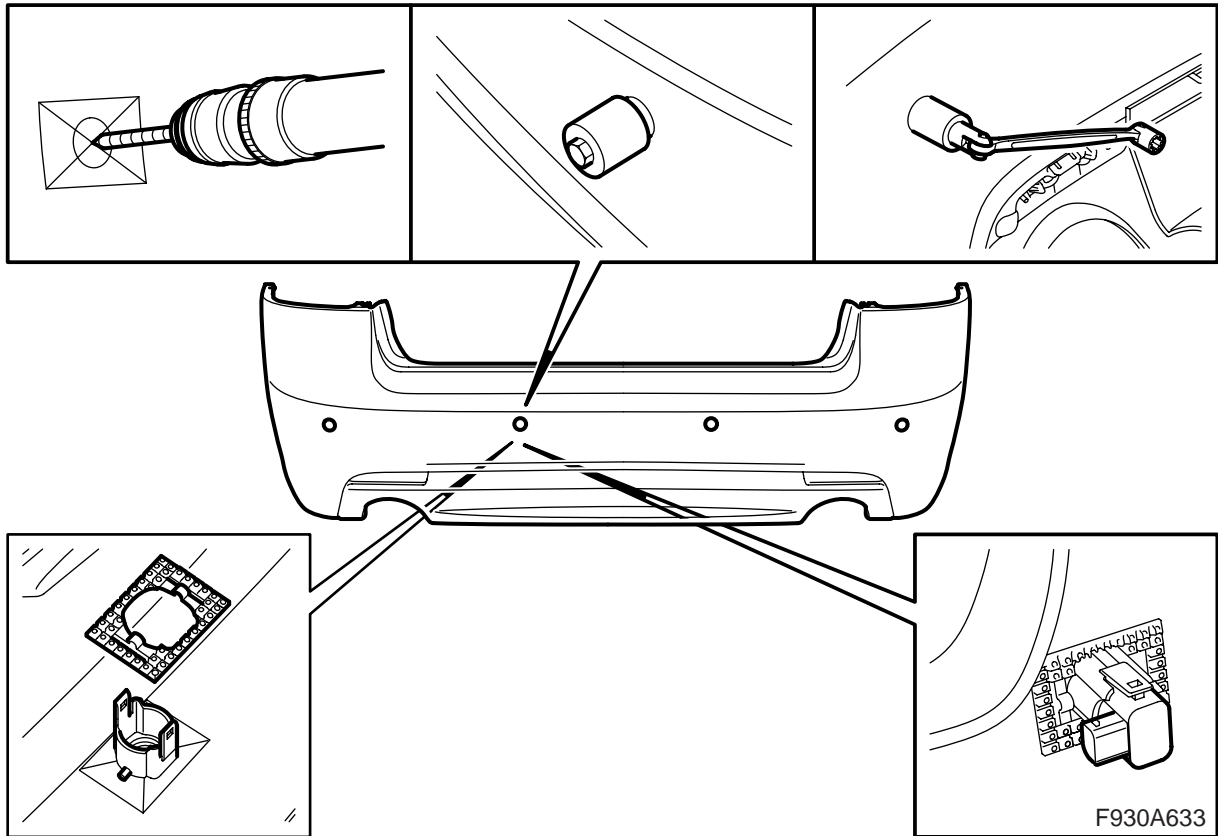
- 7 Pull the bumper shell away from the holders.
- 8 Release the catches using a screwdriver. Detach the shell from the moulding.
- 9 Lift off the bumper shell.

Important

Place the bumper on a soft, clean surface.



- 10 Pull the cellular block from the bumper shell lugs.
- 11 **M06-07:** Remove the corner protective mouldings and the protective shell by inserting tool 82 93 474 under the shell to release the clips.



- 12 **M08**: Drill 8 mm holes (from the inside of the bumper shell) in the centre of each marking (x 4).

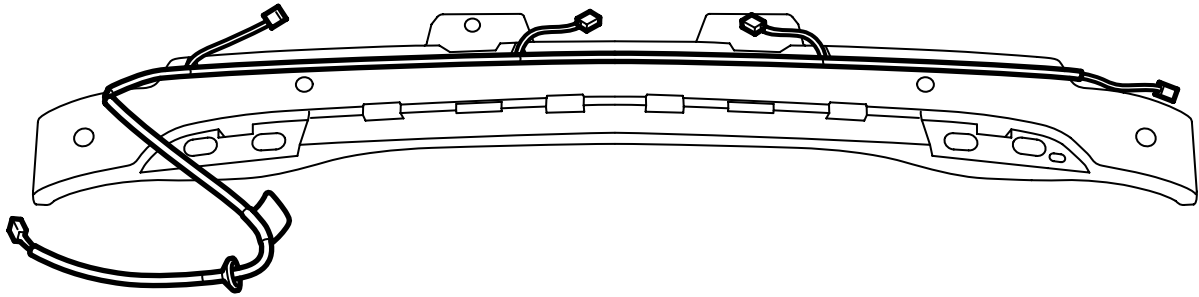
Position the hole-punching tool from the outside of the bumper. Grip on the outside, at the same time tighten the nut from the inside until the hole-punching tool is pressed through the whole of the bumper shell. Carry out the hole-making procedure for all four holes.

Fit the tape and holders for the sensors in accordance with the markings in the bumper shell.

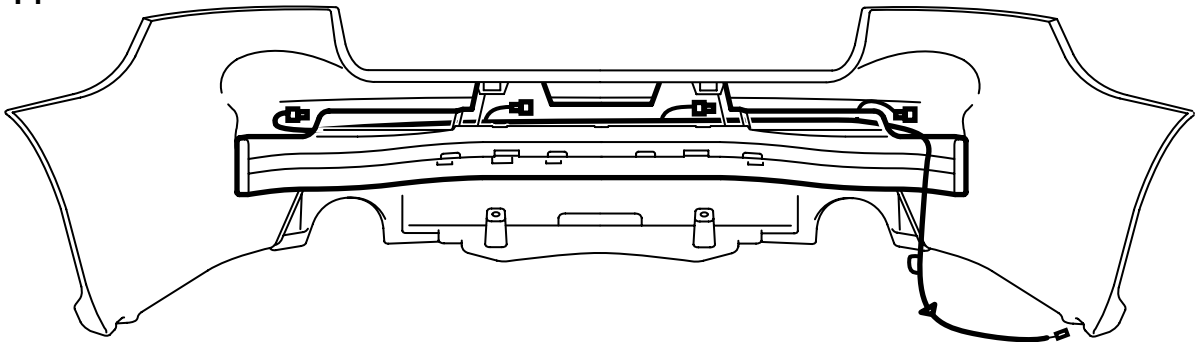
Important

The connector sockets for the distance sensors should point towards the right-hand side of the car.

13



14



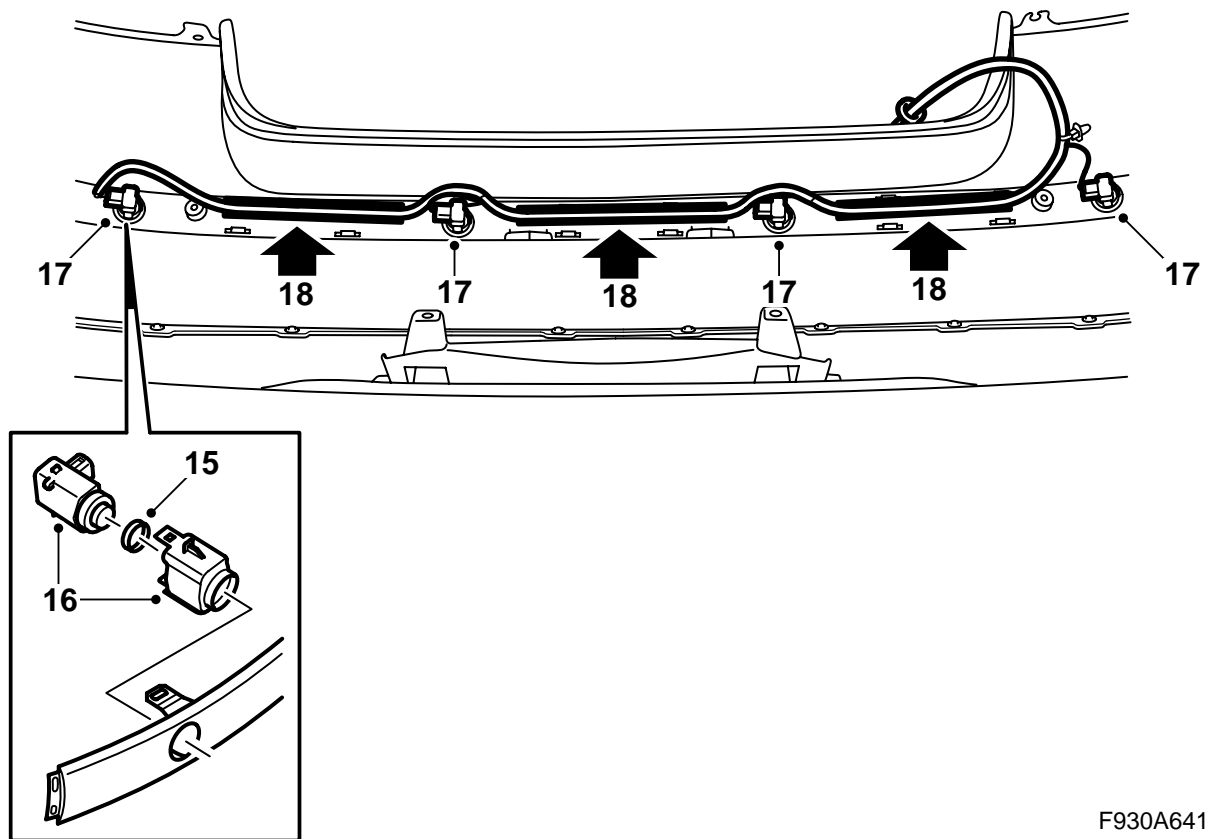
F930A640

13 **M08:** Fit the wiring harness in the support for the bumper shell.

14 **M08:** Fit the support to the bumper shell.

**WARNING**

Check that the wiring harness is not pinched. Incorrect fitting can damage the wiring harness and cause a short-circuit/fire.



F930A641

- 15 **M06-07:** Fit the seals on the sensors.
- 16 **M06-07:** Fit the distance sensors and holders together.
- 17 **M06-07:** Fit the distance sensors into the bumper shell.

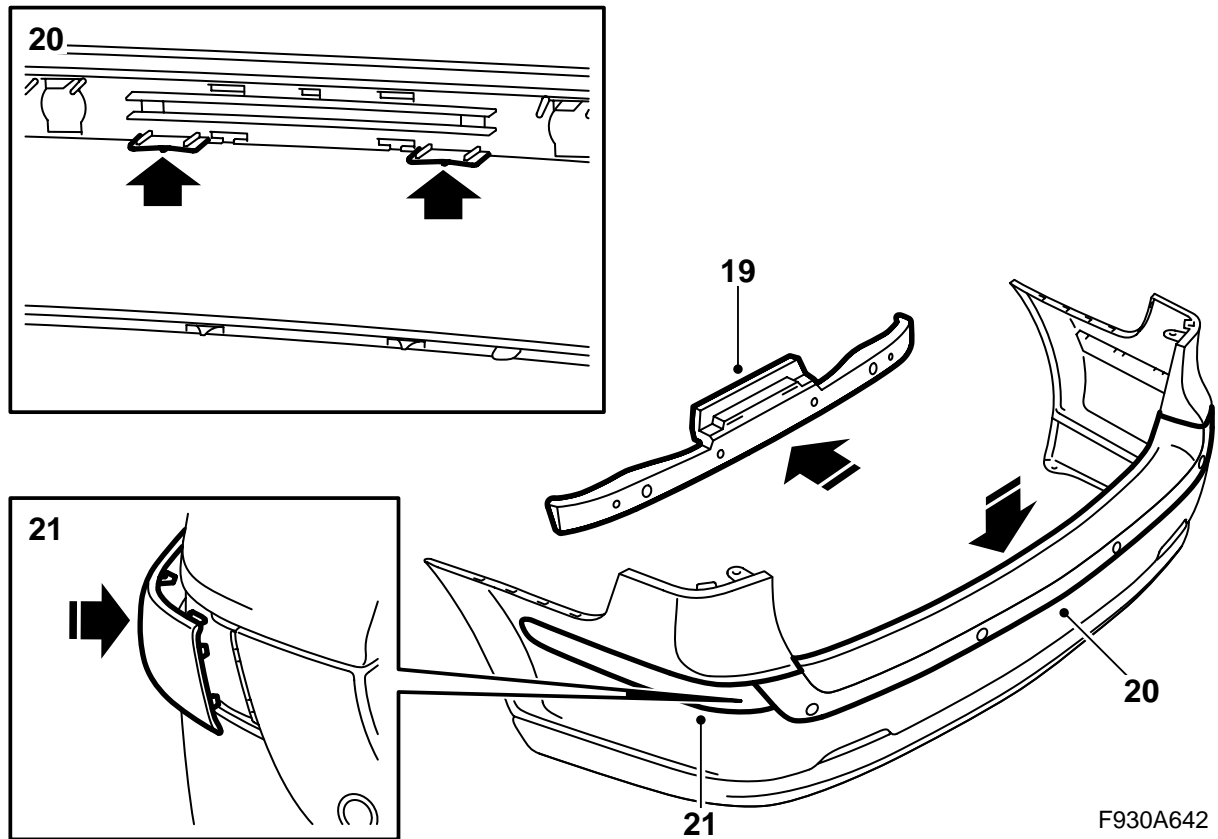
Important

The connector sockets for the distance sensors should point towards the right-hand side of the car.

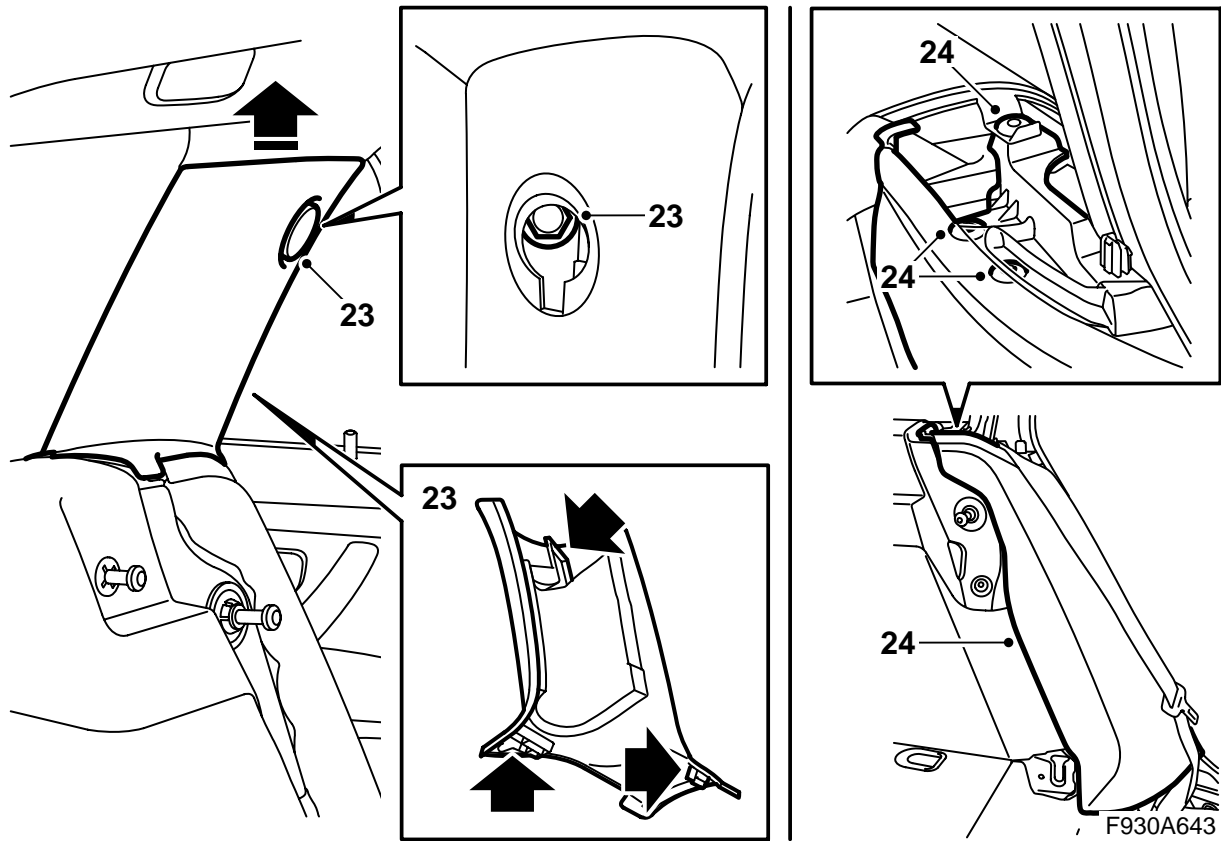
- 18 **M06-07:** Connect the kit's wiring harness to the sensors and route it along the shell. The connector should appear out towards the left-hand lamp cluster.

WARNING

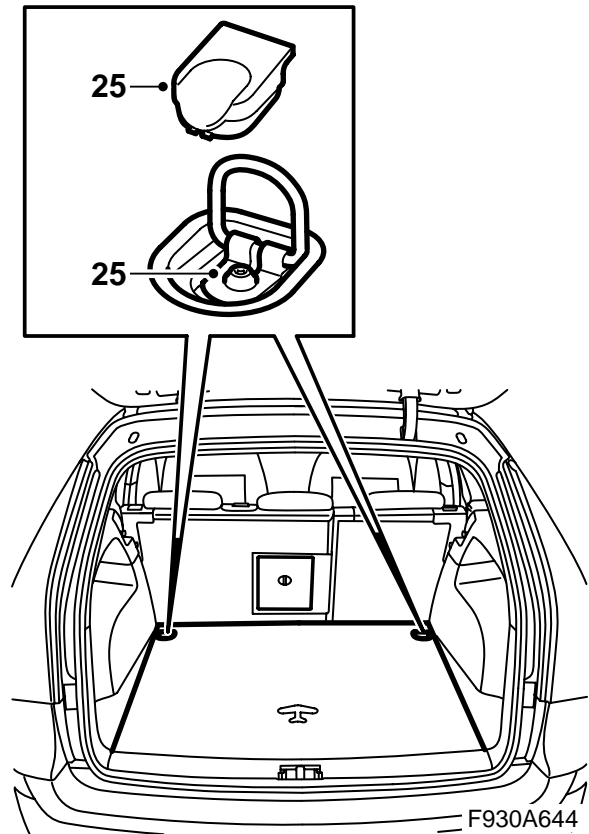
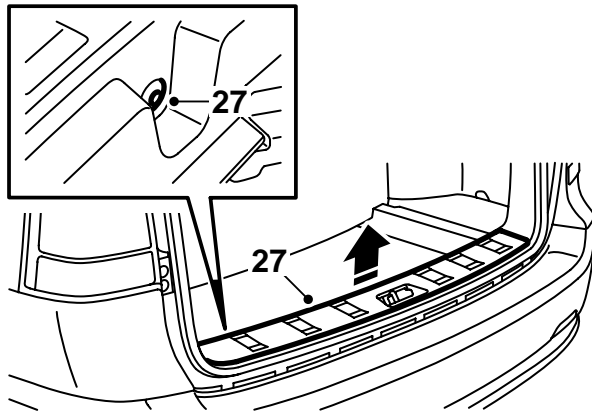
Check that the wiring harness is not pinched. Incorrect fitting can damage the wiring harness and cause a short-circuit/fire.



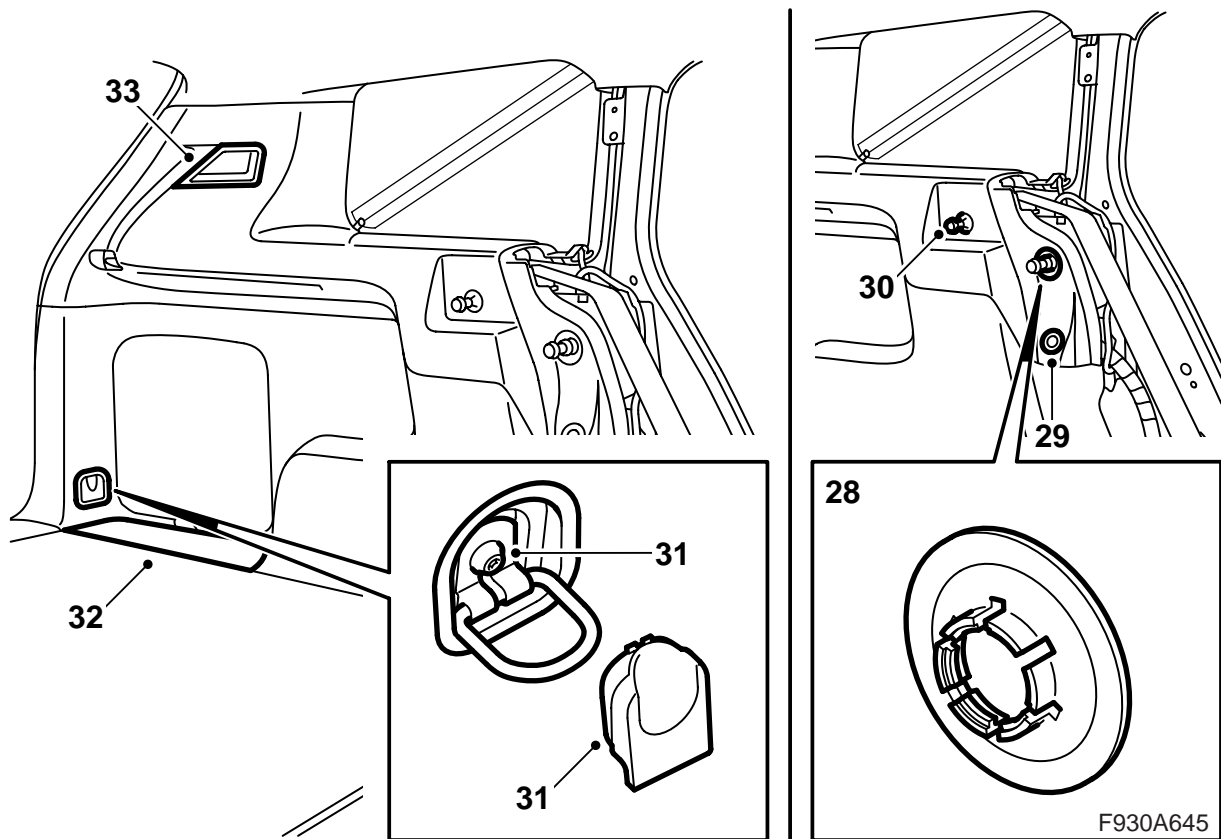
- 19 Fit the cellular block by guiding it in toward the bumper shell lugs. Press the cellular block in.
- 20 **M06-07:** Fit the protective shell by pressing in the clips. Make sure that the sensors are fitted in place.
- 21 **M06-07:** Check that all clips are secured into the bumper shell.



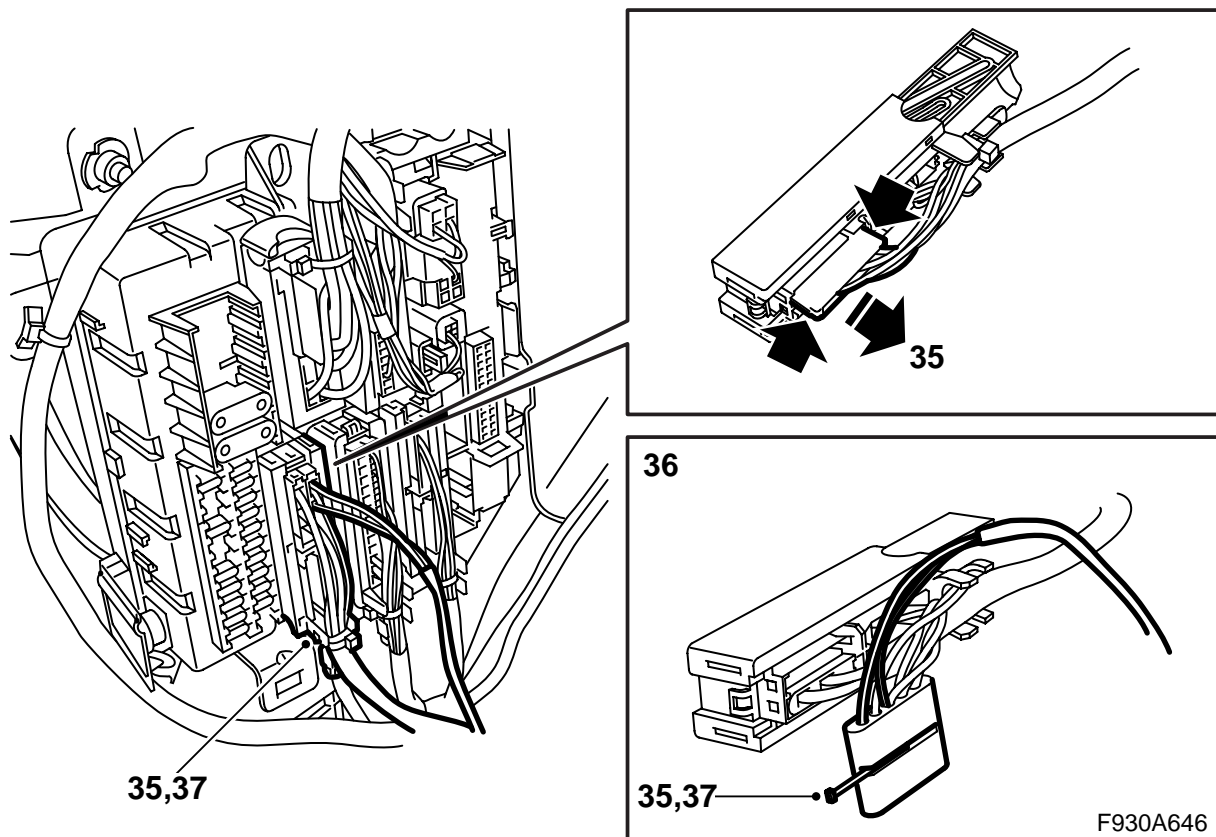
- 22 Fold down the rear seat backrests.
- 23 Remove the left-hand C-pillar trim.
Use 82 93 474 Removal tool to remove the cover plate.
- 24 Remove the left-hand side bolster.
Use 82 93 474 Removal tool to remove the clips.



- 25 Remove the luggage compartment floor.
- 26 **Cars with subwoofer:** Lift up the subwoofer.
- 27 Remove the scuff plate's clips using 84 71 179 Removal tool, clips and lift up the scuff plate.



- 28 Remove the clip from the mounting in the body. Use a screwdriver.
- 29 Remove the two-stage rivet using 84 71 179 Removal tool, clips.
- 30 Remove the mounting for the cargo guard (if fitted).
- 31 Remove the cover and the screw.
- 32 Lift the cover away from over the storage compartment.
- 33 Remove the luggage compartment lighting lens and insert the bulb holder through the hole in the side trim.
- 34 Remove the trim so that the clips release.

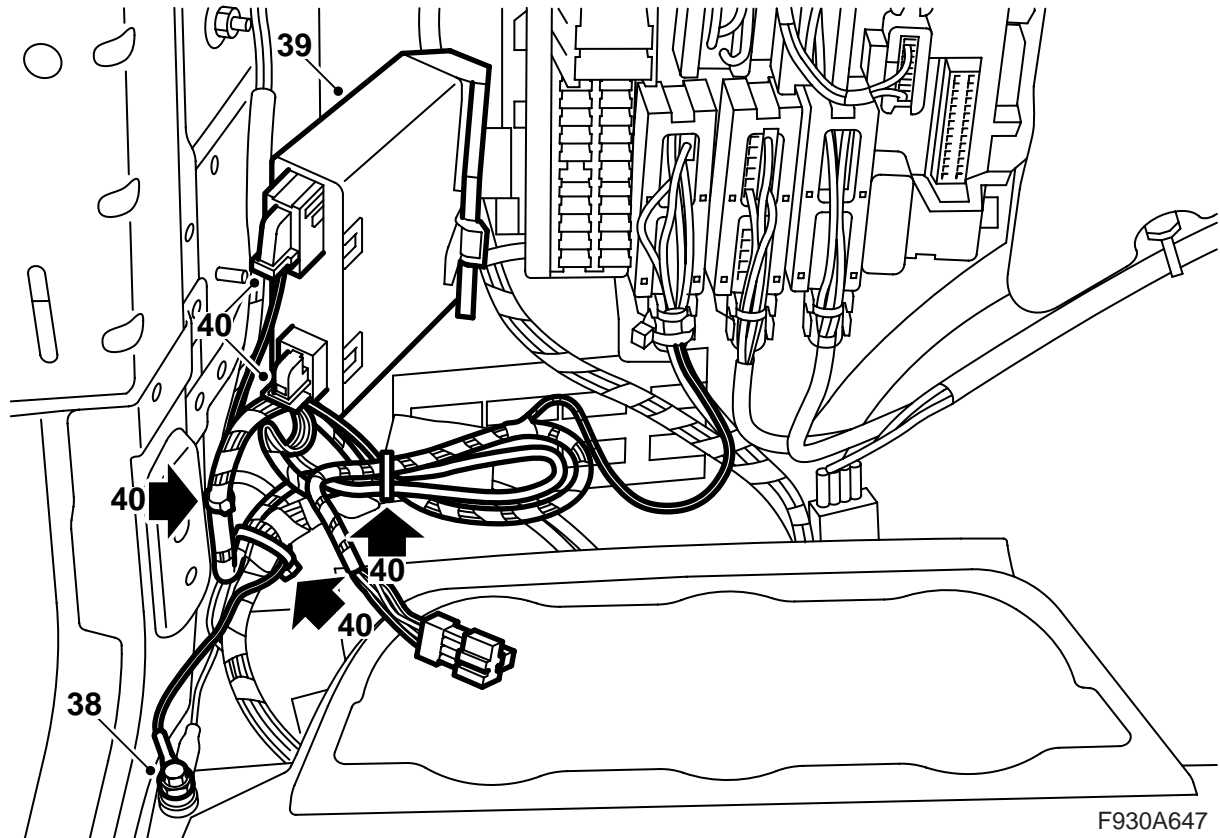


- 35 Remove the connector for the rear harness (blue) from the fuse box. Unplug connector A1 from the blue connector. Remove the lock.

⚠ WARNING

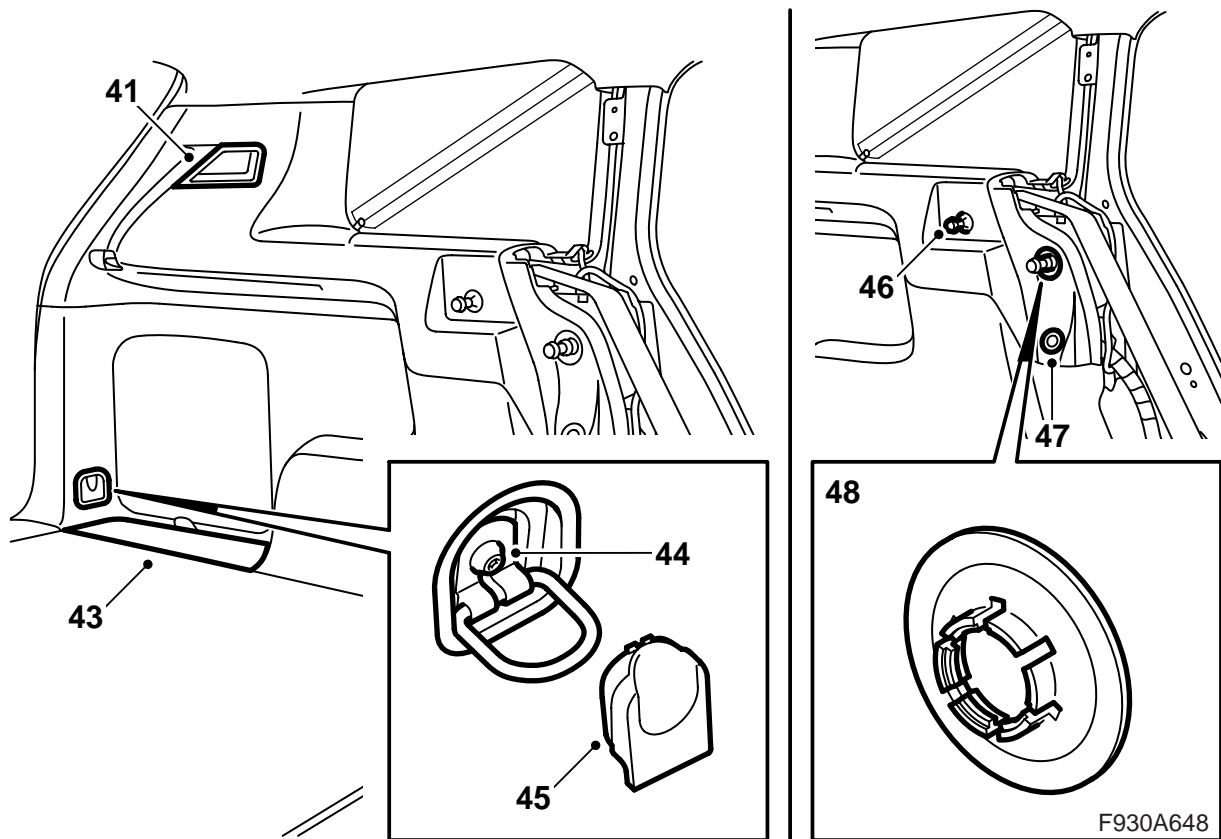
The wiring harness must be routed and secured so that it cannot become trapped or chafe against anything when refitting dismantled parts. Incorrect routing could cause damage to the wiring harness and short circuit/fire.

- 36 Fit the kit's wiring harness. Fit the red cable to connector A1 in position 1. Fit the green cable to connector A1 in position 4.
- 37 Fit the lock. Plug connector A1 into the blue connector.

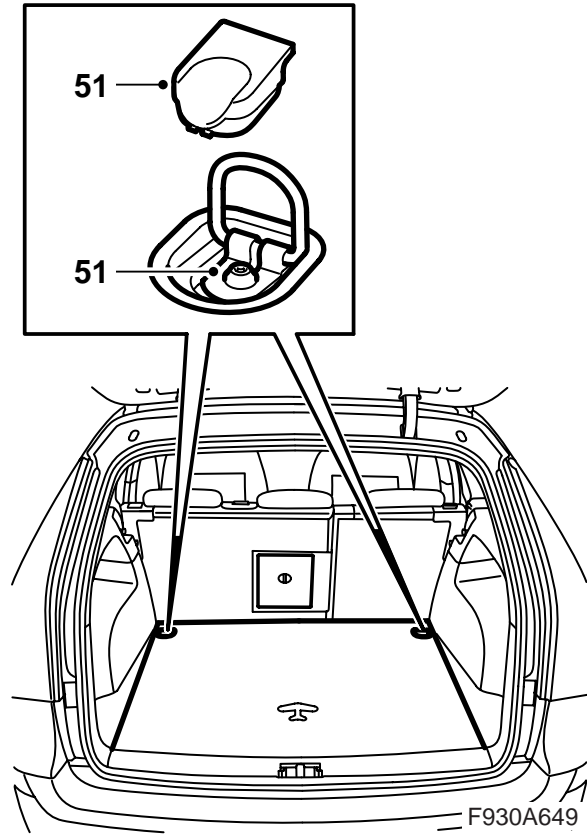
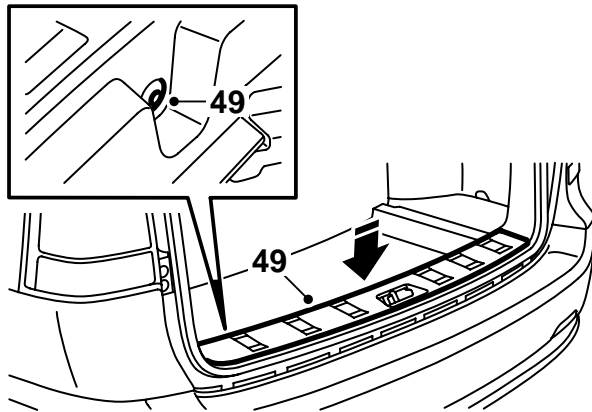


F930A647

- 38 Connect the ground cable to the grounding point.
- 39 Fit the kit's control module on the bracket by the electrical centre and plug in the connectors.
- 40 Position the wiring harness and fit the straps.



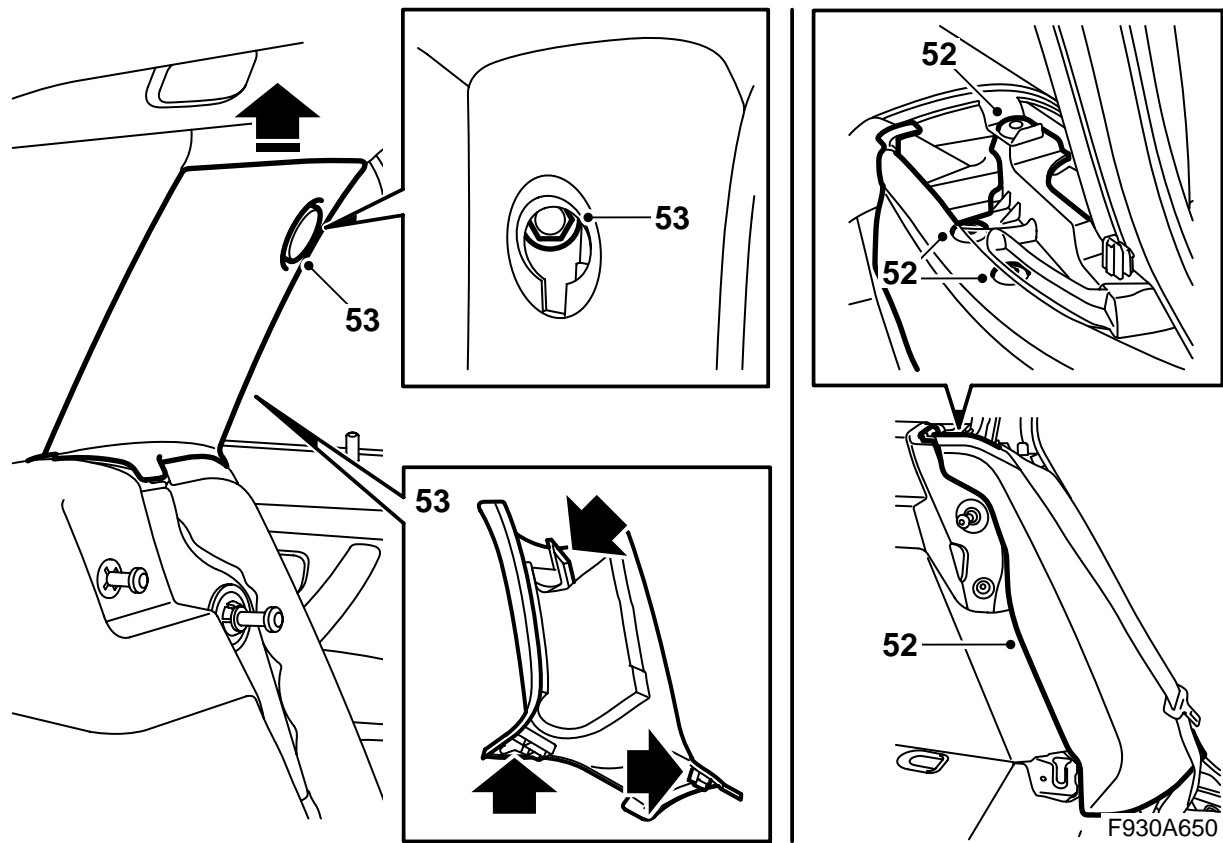
- 41 Fit the luggage compartment lighting.
- 42 Press the side trim into its clips.
- 43 Fit the cover over the storage compartment.
- 44 Fit the screw.
- 45 Fit the cover.
- 46 Fit the mounting for the cargo guard (if fitted).
- 47 Fit the two-stage rivet.
- 48 Fit the clip to the mounting in the body.



49 Fit the scuff plate.

50 **Cars with subwoofer:** Lower the subwoofer and screw it in.

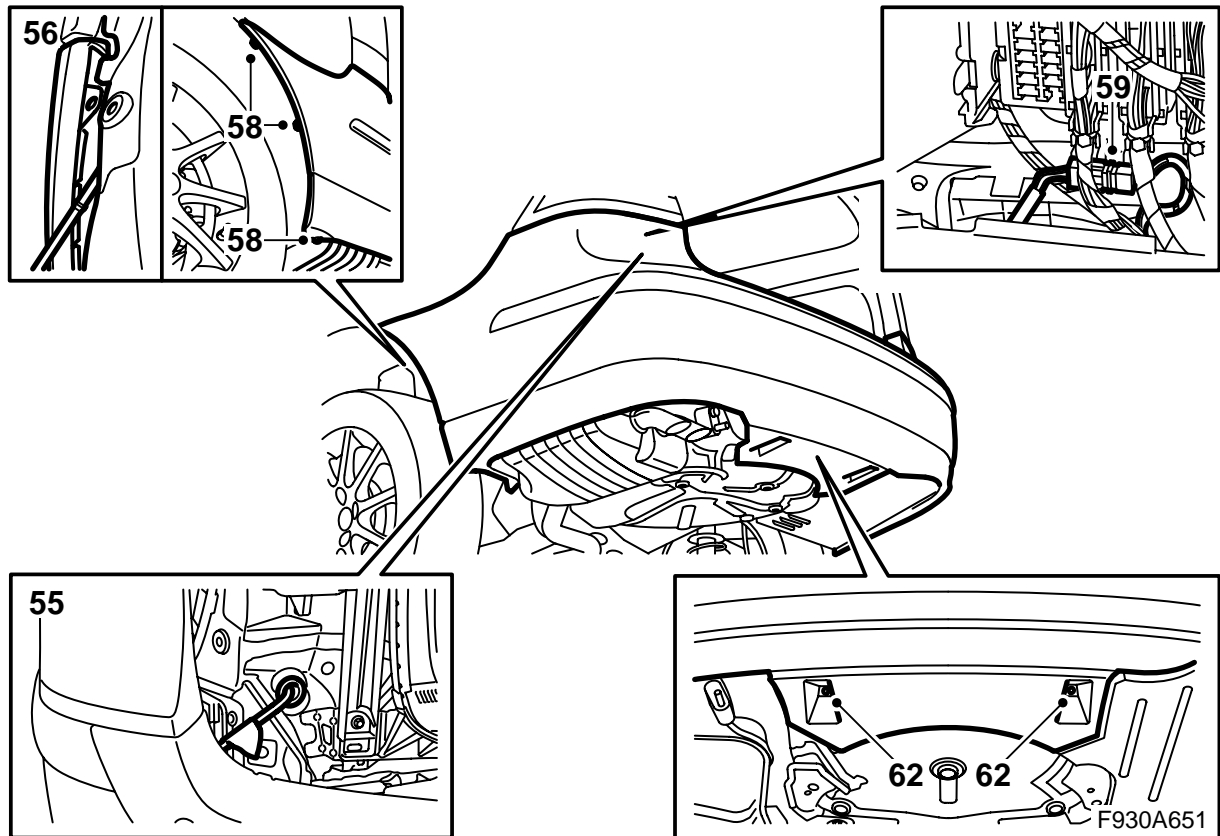
51 Fit the luggage compartment floor.



52 Fit the left-hand side bolster. Check that the belt is not twisted.

53 Fit the left-hand C-pillar trim.

54 Fold up the backrests.



- 55 Lift the bumper shell and thread in the wiring harness. Fit the rubber grommet.
- 56 Guide the bumper shell's tabs in under the holders.

- 65 Connect the diagnostic tool, select car and model year, select "All", select "Add/Remove", select the accessory and then "Add".

⚠ WARNING

The wiring harness **MUST** be routed and secured so that it cannot become trapped or chafe against anything when refitting dismantled parts. Incorrect routing could cause damage to the wiring harness and short circuit/fire.

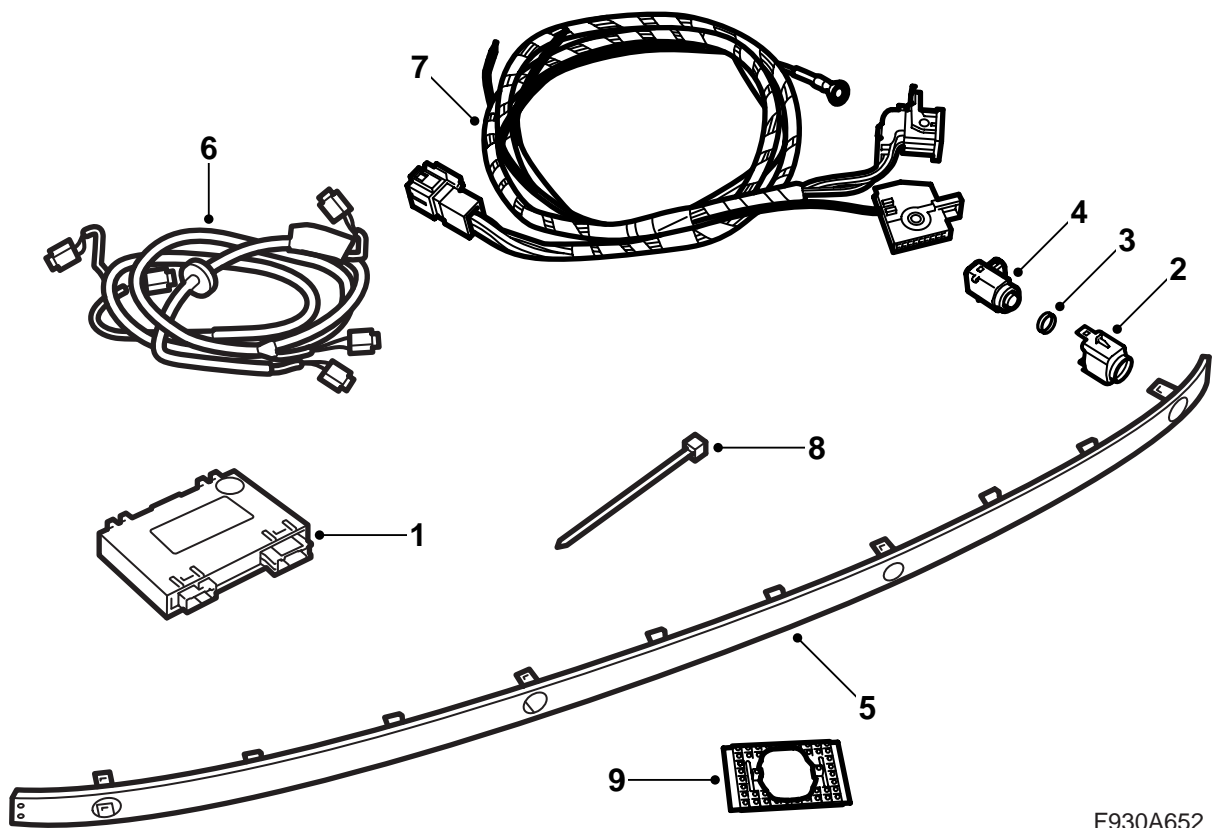
- 57 Position the bumper shell's front corner between the wing liner and holder. Make sure that the shell lug is between the wing liner and the holder for the bumper shell.
- 58 Fit the screws at the wing liners.
- 59 Plug in the connector to the kit's wiring harness. Position under the rear fuse box.
- 60 Check that the rubber grommet is fitted correctly.
- 61 Raise the car.
- 62 Fit the spoiler's centre nuts.
- 63 Lower the car and check the fit of the bumper shell. Adjust as necessary.
- 64 Close the tailgate.

Note

The diagnostic tool will, on some occasions, need to retrieve a security code in TIS. Information on what to do will be displayed on the diagnostic tool display.

- 66 With the ignition key in the ON position and reverse gear engaged, check that the system warns against objects in the rear by using tones. The first tone is given when an object is at a distance of 1.8 metres. The signal then has a frequency of 2 tones per second, but the number of tones per second increases the closer the object becomes to the vehicle and changes as follows:
- 1.8 - 1.3 m: 2 tones/second
 - 1.3 - 0.9 m: 3 tones/second
 - 0.9 - 0.3 m: from 5 to 12 tones/second in close stages
 - 0.3 m: continuous tone

CV

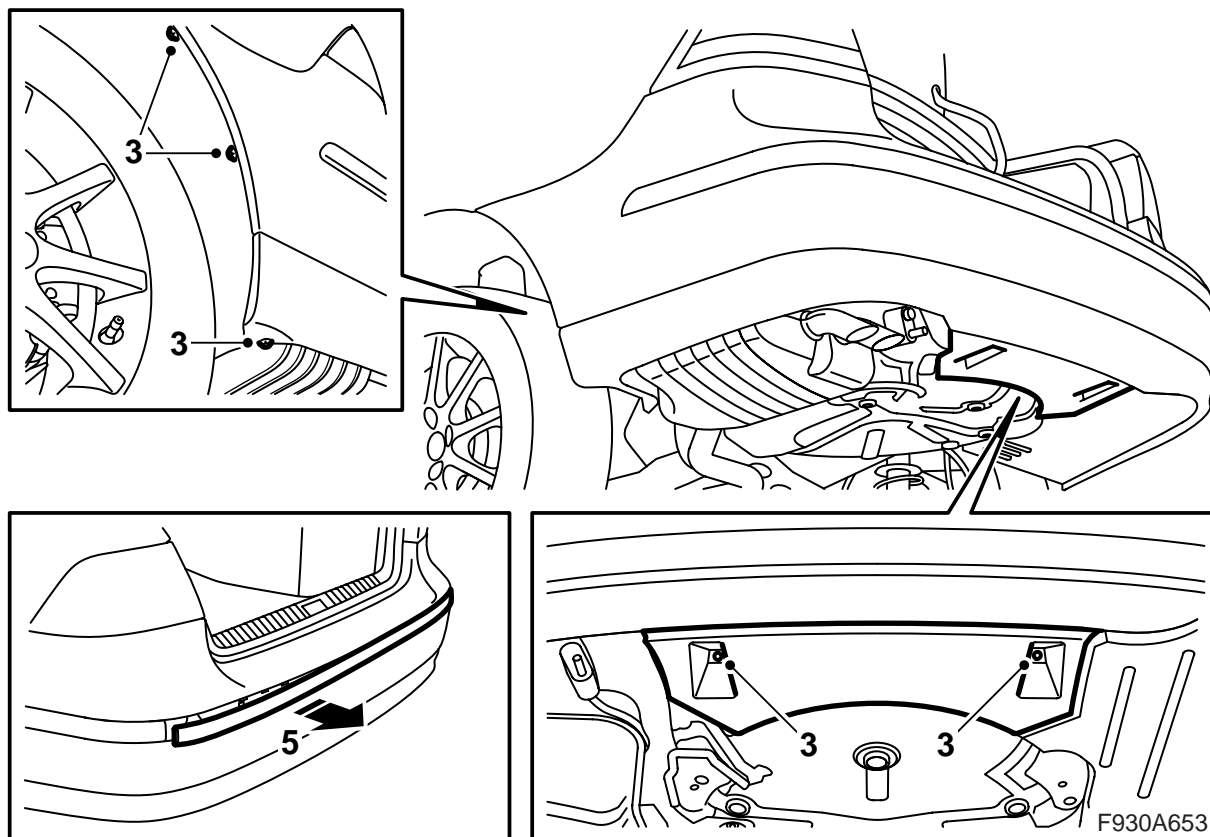


F930A652

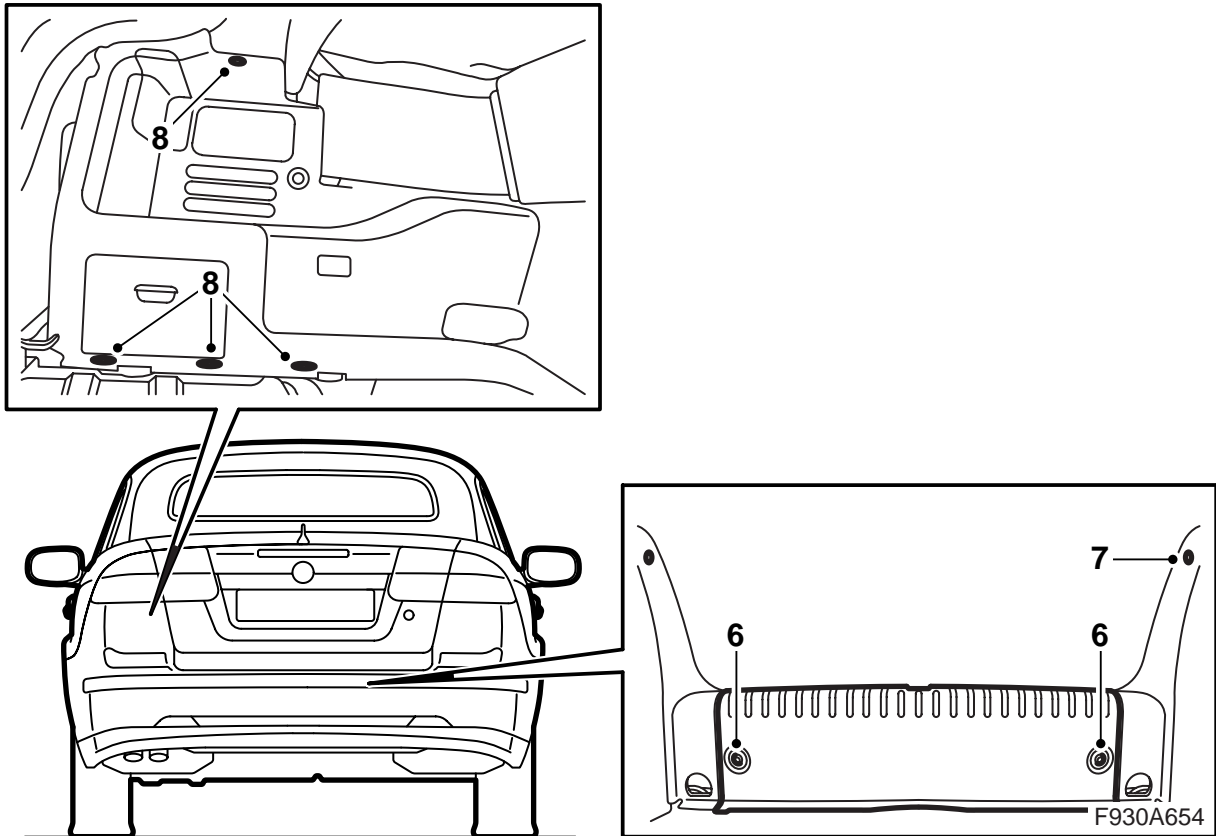
- 1 SPA control module
- 2 **M04-07**: Holder (x4)
- 3 **M04-07**: Seal (x4)
- 4 **M04-07**: Distance sensor (x4)
- 5 **M04-07**: Decor strip, bumper
- 6 Wiring harness, distance sensor
- 7 SPA wiring harness
- 8 Cable tie (x8)
- 9 **M08**: Tape

The following parts must be ordered separately

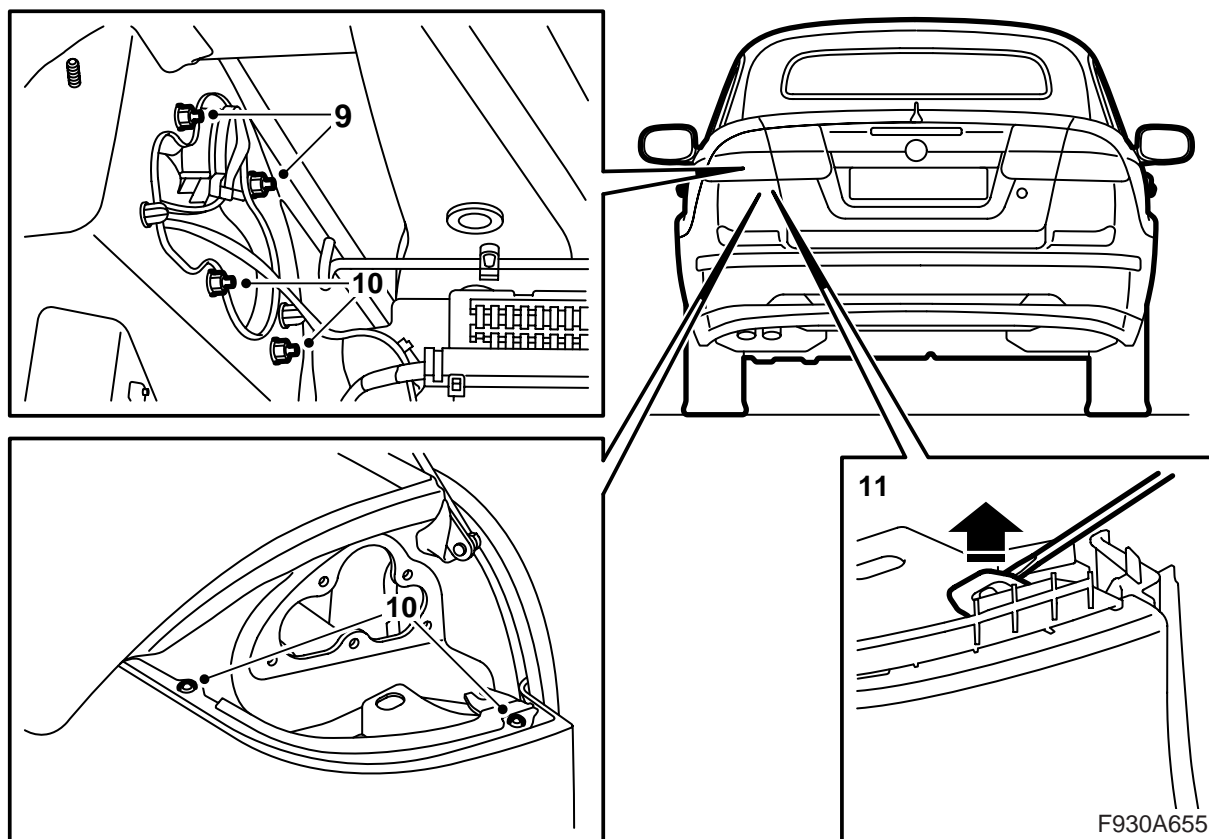
- M08**: Hole-punching tool
- M08**: Distance sensor (x4)
- M08**: Holder (x4)



- 1 Open the boot lid.
- 2 Turn the ignition key to the OFF position and remove the key. Raise the car.
- 3 Remove the two nuts that hold the rear bumper air shield to the body and the bolts that hold the bumper shell to the wheel housings.
- 4 Lower the car.
- 5 **M04-07:** Remove the rear bumper's decor strip.



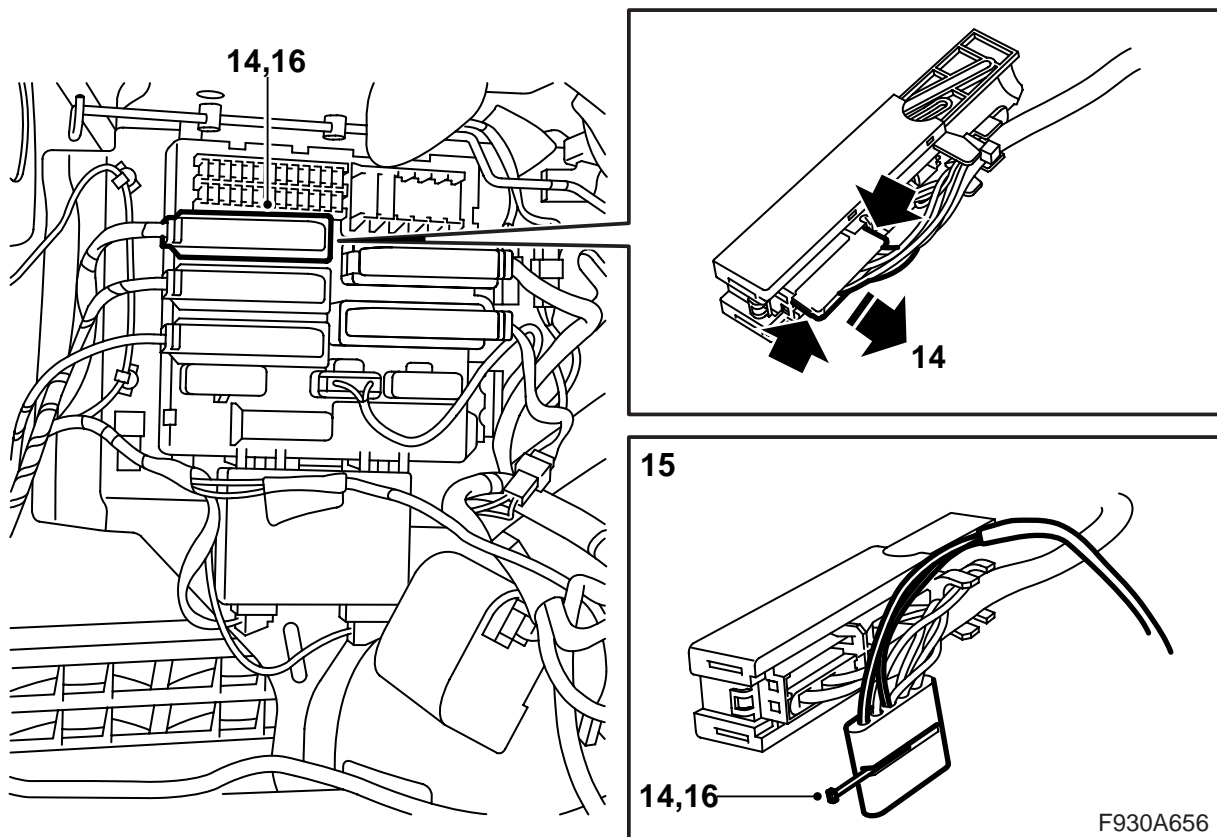
- 6 Remove the carpet on the luggage compartment floor and remove the luggage compartment scuff plates.
- 7 Remove the left-hand side scuff plate.
- 8 Remove the left-hand side trim's clips and move the trim aside. Unhook the strap on the rear of the side trim (certain cars) and unplug the connector from the luggage compartment lighting. Remove the side trim.



- 9 Remove the rear lamp clusters.
- 10 **M04-07:** Remove the bolts for the bumper shell which are located under the rear lamp clusters.
- 11 **M08:** Insert a screwdriver into the hole to gain access under the catch for the bumper shell. Bend the screwdriver up to release the catch.
- 12 Remove the bumper shell by pulling the sides outwards and then pulling the bumper shell rearwards.

Important

Place the bumper on a soft, clean surface.

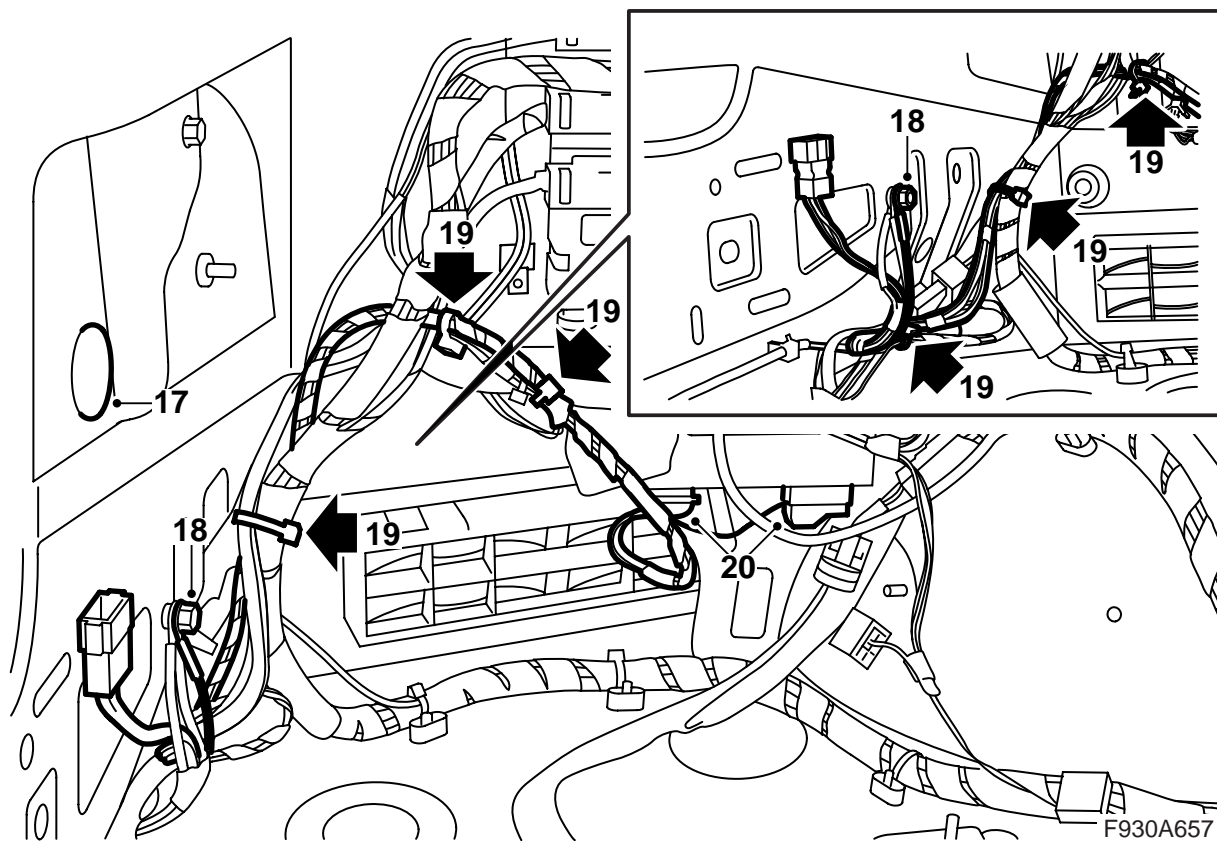


- 13 Remove the console in which equipment such as a CD-changer may be fitted. Disconnect the connections to any equipment in the console.

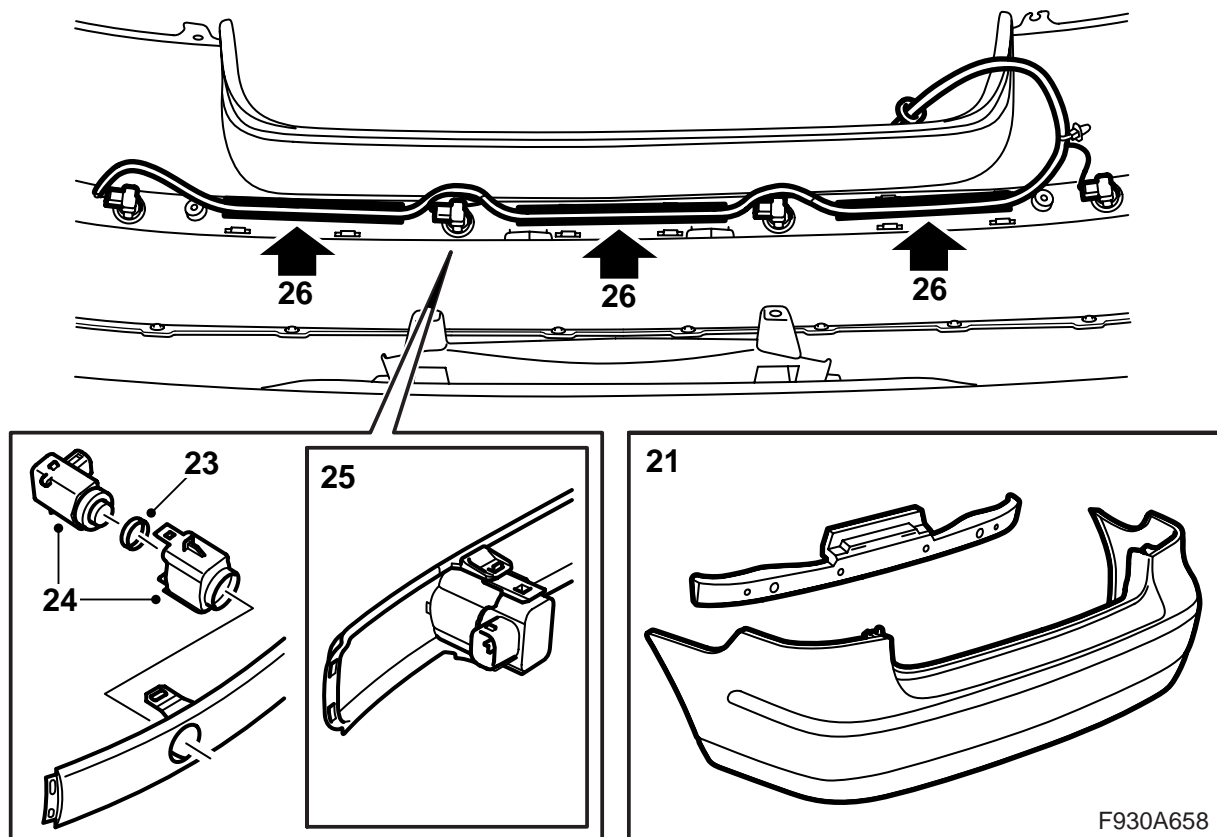
⚠ WARNING

The visible red light is a class 1 laser. Do not look directly into the optical fibre or the control module connector at close range. A distance of less than 20 mm between your eyes and the light source may cause eye injury.

- 14 Remove the connector for the rear harness (blue) from the fuse box. Unplug connector A1 from the blue connector. Remove the lock.
- 15 Fit the kit's wiring harness. Fit the red cable to connector A1 in position 1. Fit the green cable to connector A1 in position 4.
- 16 Fit the lock. Plug connector A1 into the blue connector.



- 17 Remove the rubber plug from under the left-hand rear lamp cluster.
- 18 Fit the ground cable.
- 19 Position the new wiring harness and secure the wiring harness with cable ties.
- 20 Connect the control module and fit it into the slots on the rear fuse box.

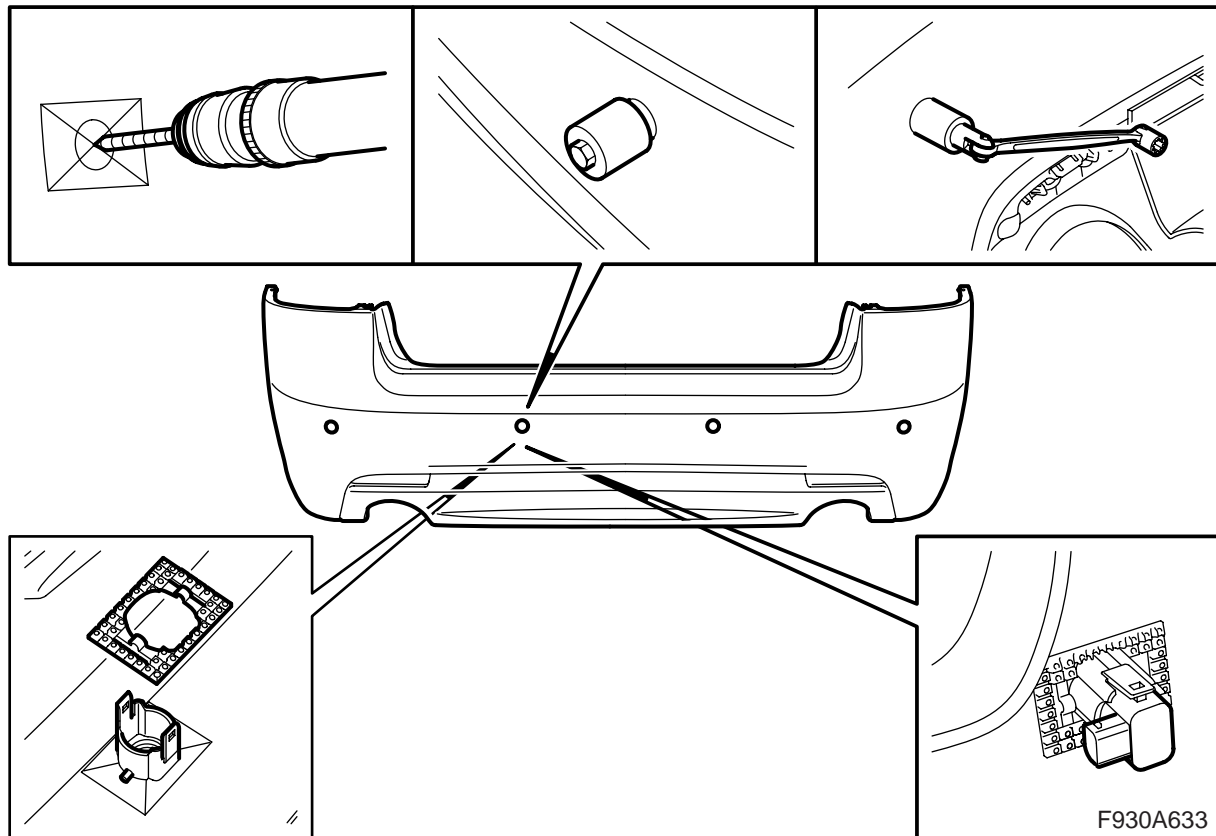


- 21 Remove the support from the bumper shell.
- 22 **M04-07:** Align the bumper shell's decor strip using the guide tab and press in the hooks starting in the centre and then continuing out to the sides.
- 23 **M04-07:** Fit the seals on the sensors.
- 24 **M04-07:** Fit the distance sensors and holders together.
- 25 **M04-07:** Fit the distance sensors into the decor strip mountings.

Important

The connector sockets for the distance sensors should point towards the right-hand side of the car.

- 26 **M04-07:** Fit the wiring harness for the sensors in the bumper shell groove.



- 27 **M08:** Drill 8 mm holes (from the inside of the bumper shell) in the centre of each marking (x 4).

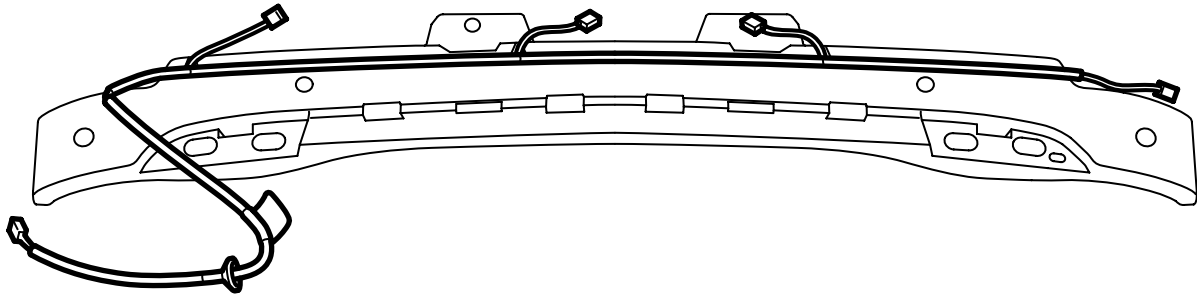
Position the hole-punching tool from the outside of the bumper. Grip on the outside, at the same time tighten the nut from the inside until the hole-punching tool is pressed through the whole of the bumper shell. Carry out the hole-making procedure for all four holes.

Fit the tape and holders for the sensors in accordance with the markings in the bumper shell.

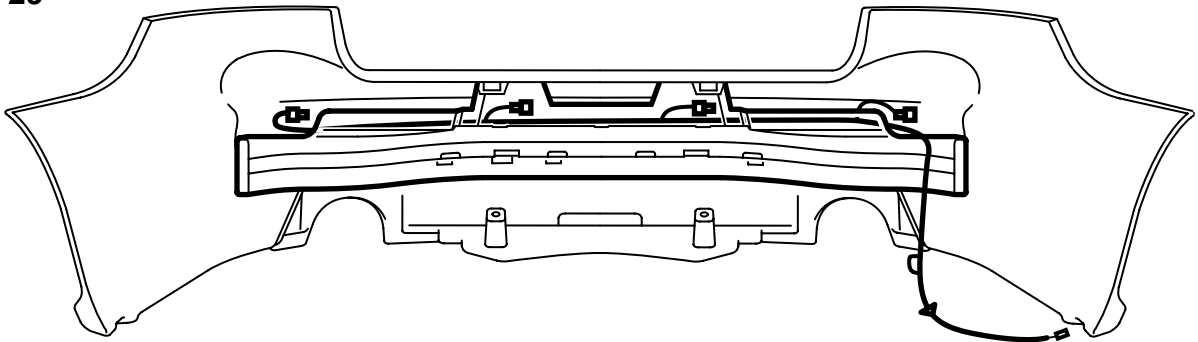
Important

The connector sockets for the distance sensors should point towards the right-hand side of the car.

28



29



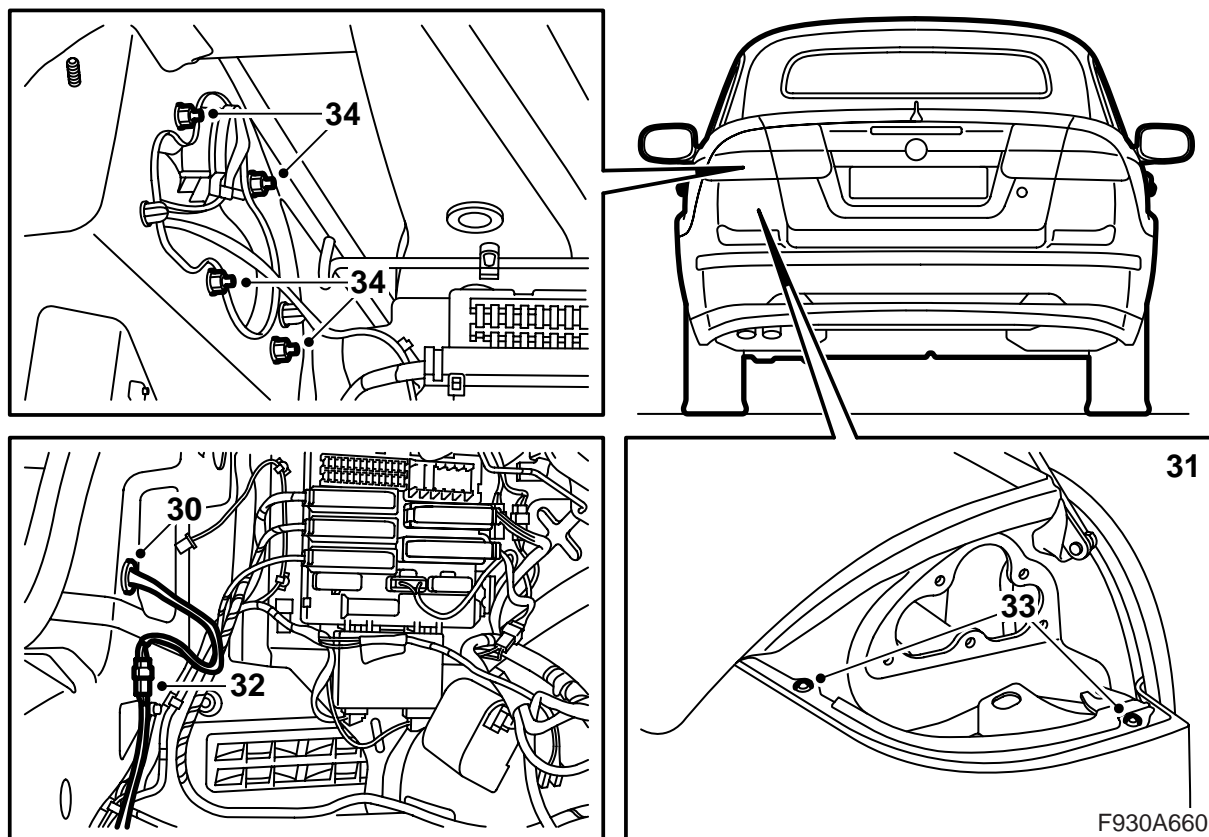
F930A659

28 **M08:** Fit the wiring harness in the support for the bumper shell.

 **WARNING**

Check that the wiring harness is not pinched. Incorrect fitting can damage the wiring harness and cause a short-circuit/fire.

29 Fit the support to the bumper shell.

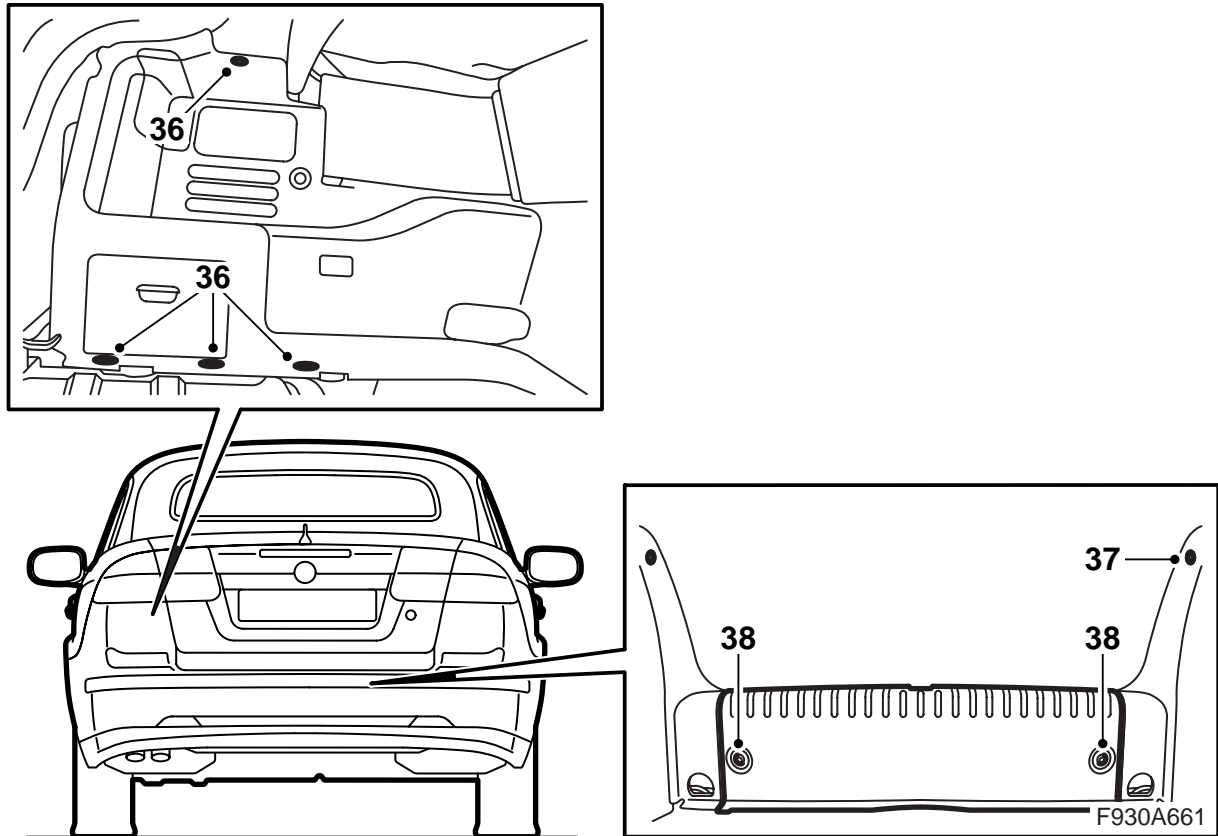


- 30 Lift up the bumper shell and thread the wiring harness through the hole under the left-hand rear lamp cluster. Fit the grommet.
- 31 Fit in the two tabs of the bumper shell under the holders and the outer corners between the wing liner and the mounting points at the wheel housings. Press the bumper shell into place.

⚠ WARNING

Check that the wiring harness is not pinched. Incorrect fitting can damage the wiring harness and cause a short-circuit/fire.

- 32 Connect the wiring harness for the bumper to the kit's wiring harness. Fit the connector into the hole beside the left-hand rear lamp cluster. Fasten the wiring harness for the distance sensors with a cable tie.
- 33 **M04-07:** Fit the bolts for the bumper shell which are located under the rear lamp clusters.
- 34 Fit and connect the rear lamp clusters. Check the fit against the boot lid moulding.

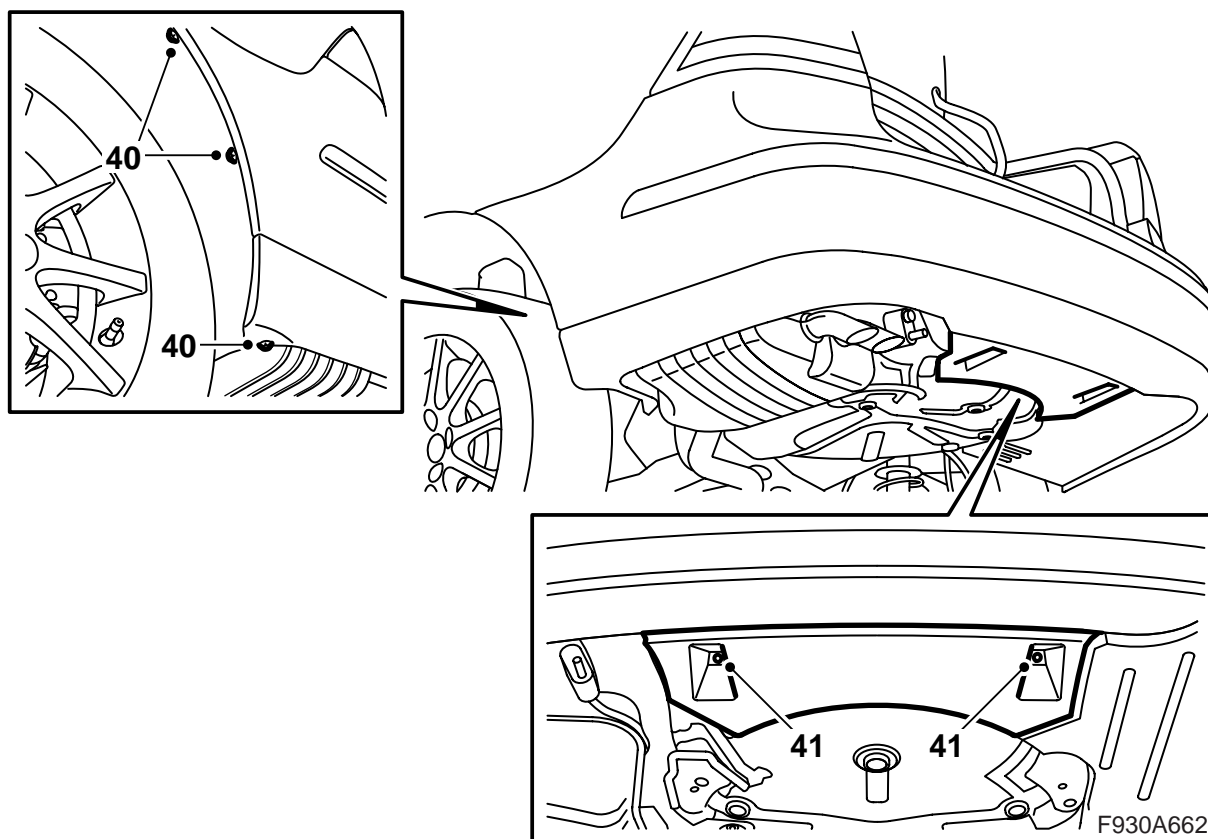


- 35 Fit the console in which such equipment as a CD changer/amplifier may be fitted. Plug in the connections to any equipment in the console.

⚠ WARNING

Certain cars: The visible red light is a class 1 laser. Do not look directly into the optical fibre or the control module connector at close range. A distance of less than 20 mm between your eyes and the light source may cause eye injury.

- 36 Align the left-hand side trim, connect the luggage compartment lighting and hook in any strap. Fit the clips.
- 37 Fit the side scuff plates.
- 38 Fit the scuff plate and fit the carpet on the luggage compartment floor.



- 39 Raise the car.
- 40 Fit the bumper bolts at the wheel housings.
- 41 Fit the two nuts holding the rear bumper air shield against the body.
- 42 Lower the car.
- 43 Close the boot lid.
- 44 Check the fit of the bumper. Adjust as necessary.
- 45 Connect the diagnostic tool, select car and model year, select "All", select "Add/Remove", select the accessory and then "Add".

Note

The diagnostic tool will, on some occasions, need to retrieve a security code in TIS. Information on what to do will be displayed on the diagnostic tool display.

- 46 With the ignition key in the ON position and reverse gear engaged, check that the system warns against objects in the rear by using tones. The first tone is given when an object is at a distance of 1.8 metres. The signal then has a frequency of 2 tones per second, but the number of tones per second increases the closer the object becomes to the vehicle and changes as follows:
 - 1.8 - 1.3 m: 2 tones/second
 - 1.3 - 0.9 m: 3 tones/second
 - 0.9 - 0.3 m: from 5 to 12 tones/second in close stages
 - 0.3 m: continuous tone