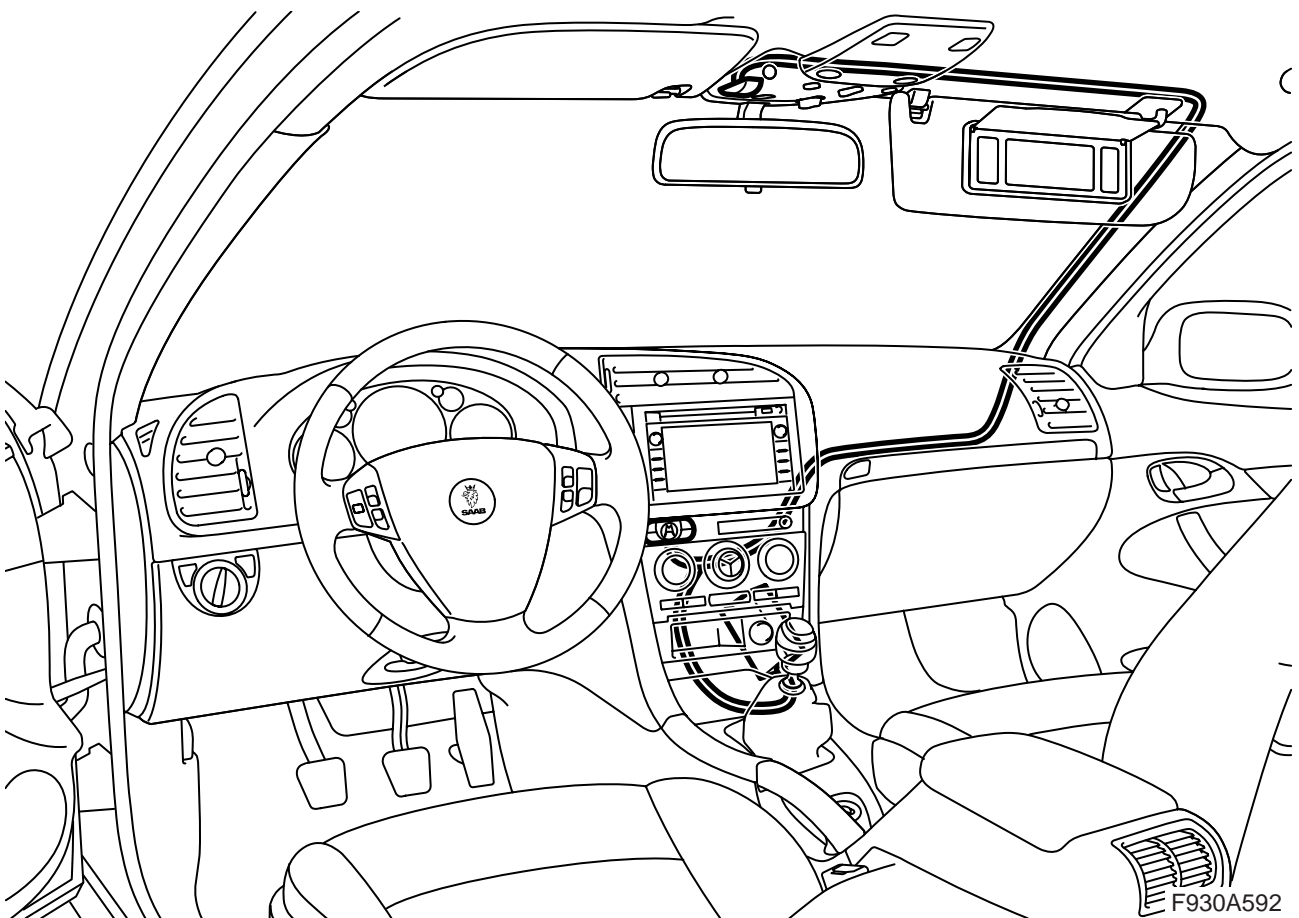


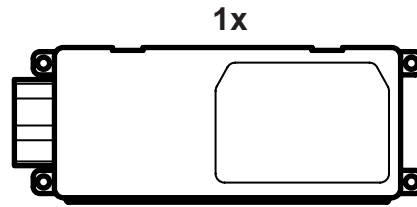
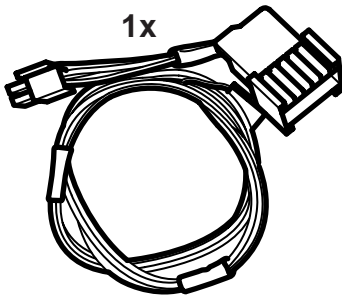
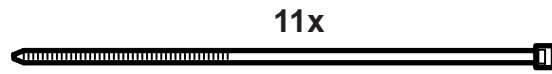
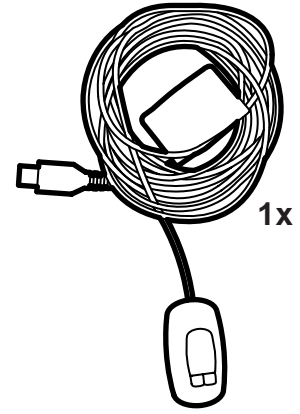
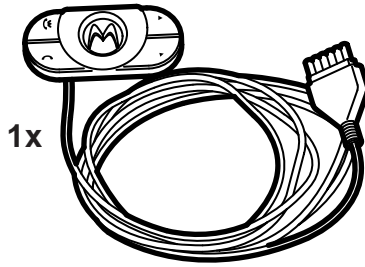
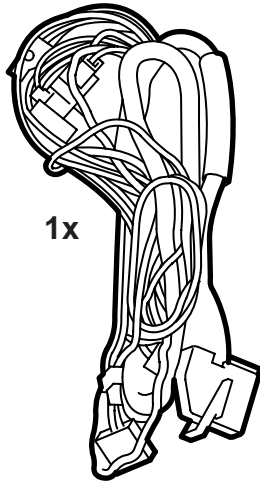


**MONTERINGSANVISNING · INSTALLATION INSTRUCTIONS
MONTAGEANLEITUNG · INSTRUCTIONS DE MONTAGE**

Saab 9-3 4D/5D M03-..... page 3
Saab 9-5 M01- page 17
Handsfree kit, mobile phone

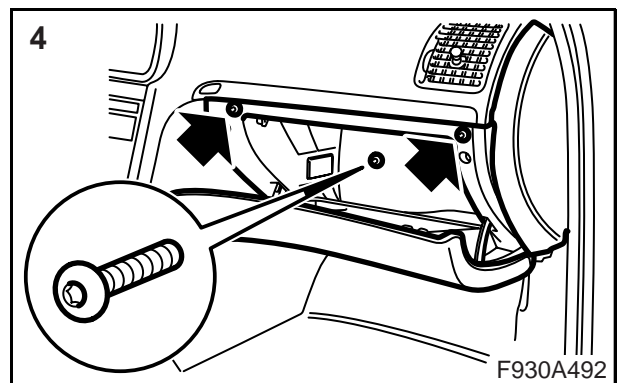
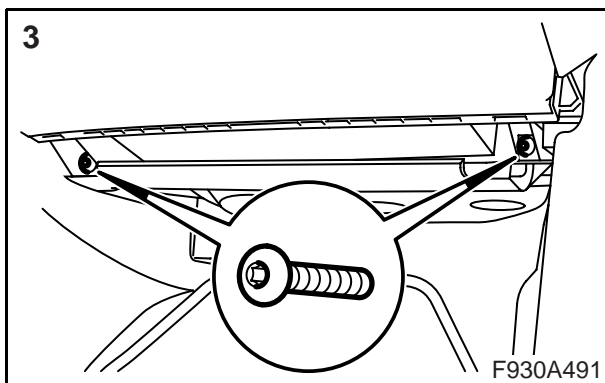
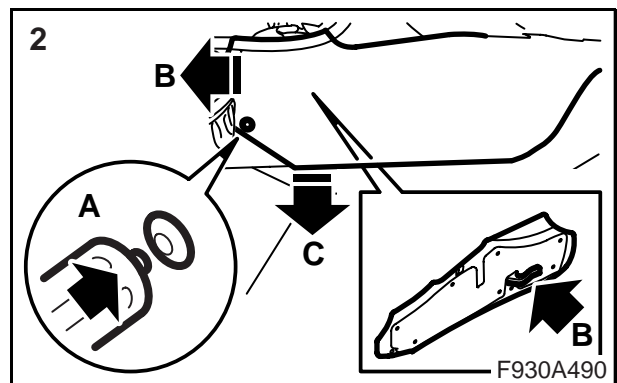
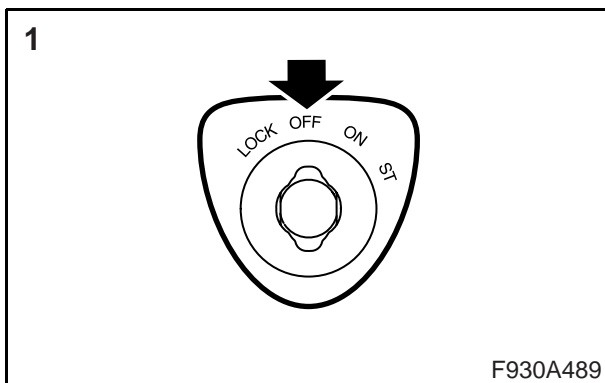
Accessories Part No.	Group	Date	Instruction Part No.	Replaces
32 025 907 32 026 144	9:89-31	May 07	32 025 872	Nov 06



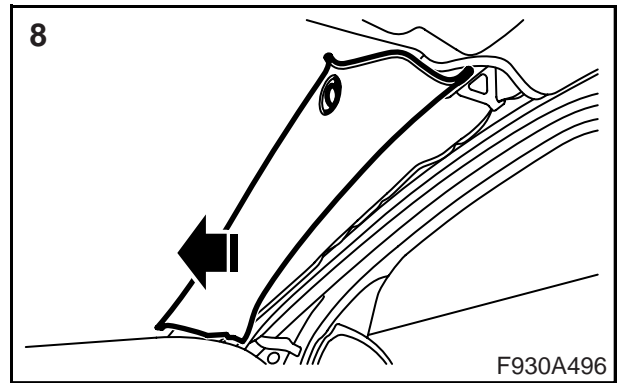
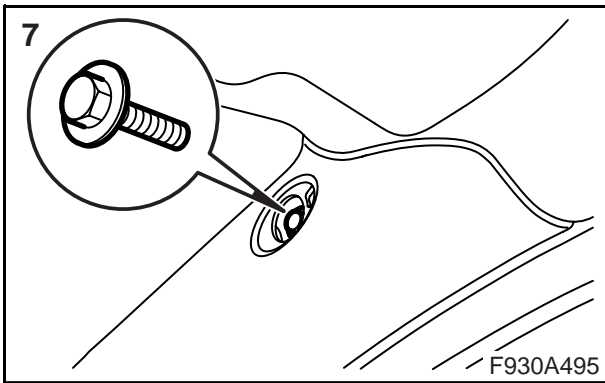
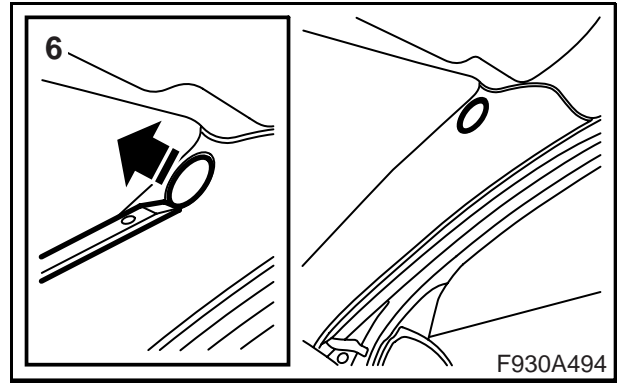
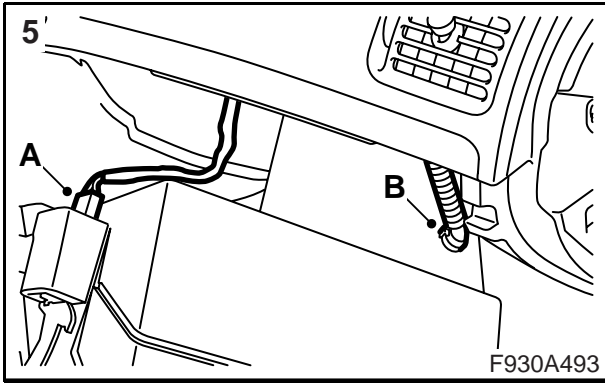


F930A488

Saab 9-3 4D/5D M03-



- 1 Ignition in OFF position.
- 2 Remove the floor console's right-hand side piece.
- 3 Remove the lower glove box screws.
- 4 Remove the inner glove box screws.



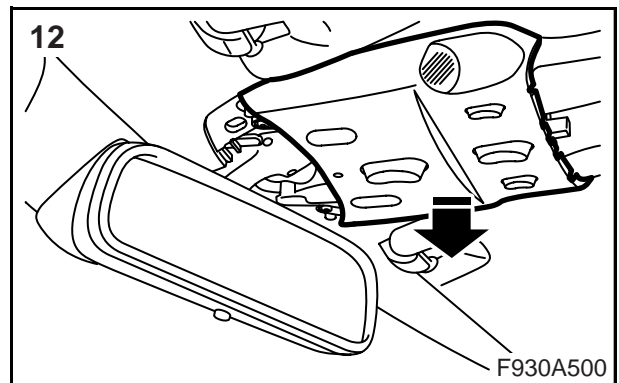
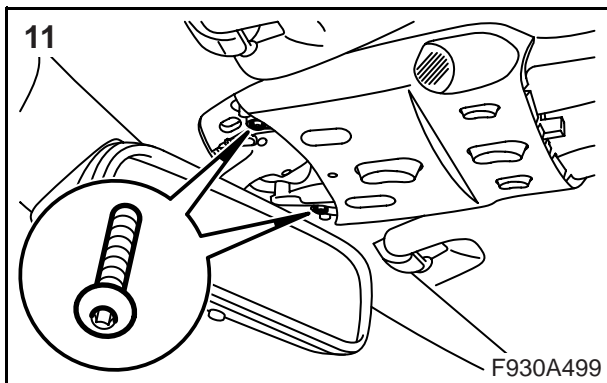
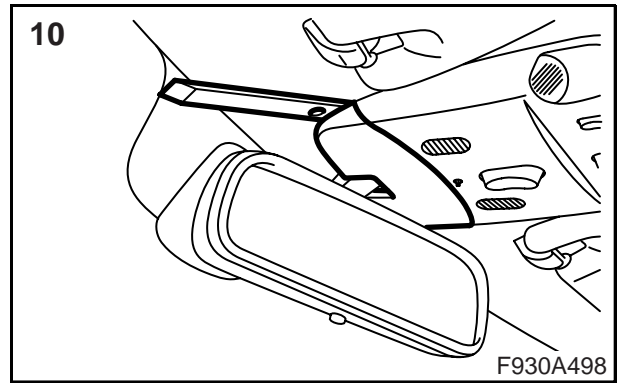
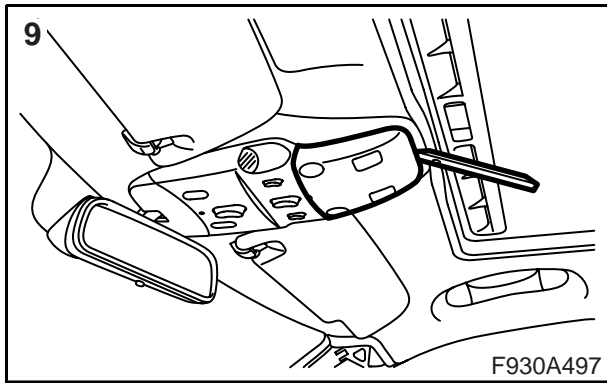
5 Unplug the connector for the glove box lighting (A).

Cars with ACC: Remove the coolant hose from the glove box (B).

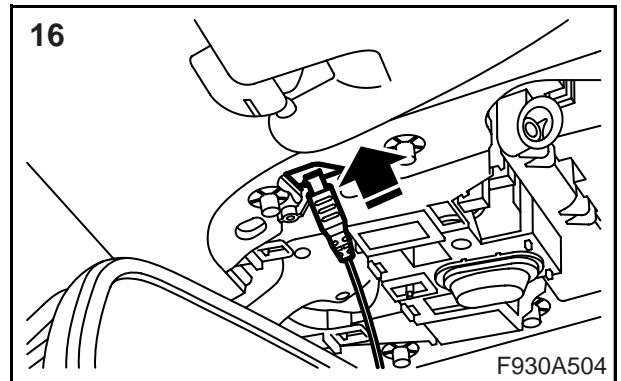
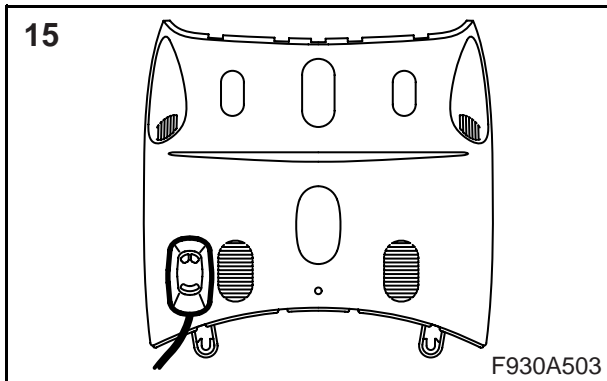
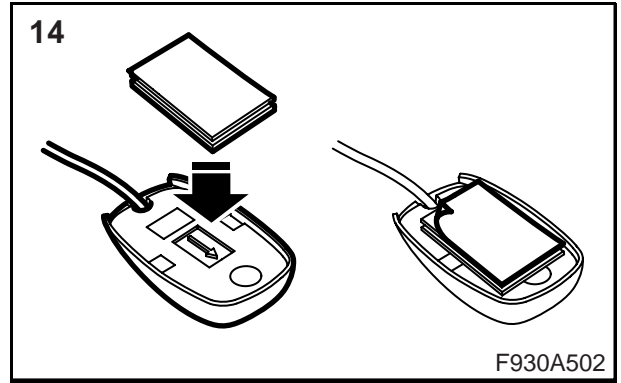
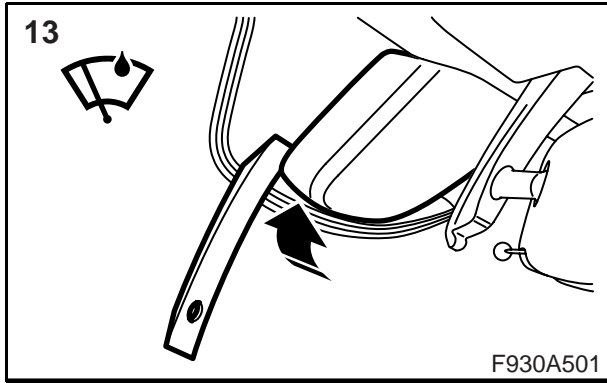
6 Remove the cover plate from the A-pillar trim.

7 Remove the retaining screw.

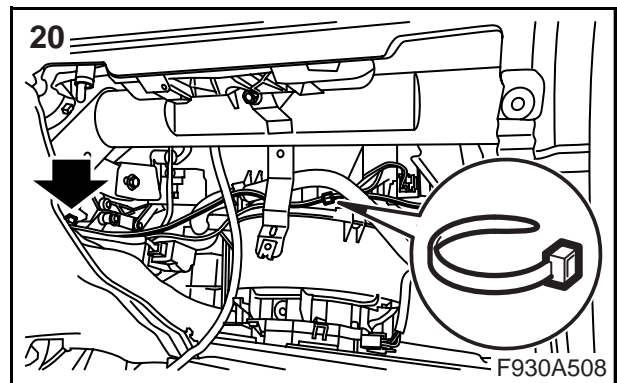
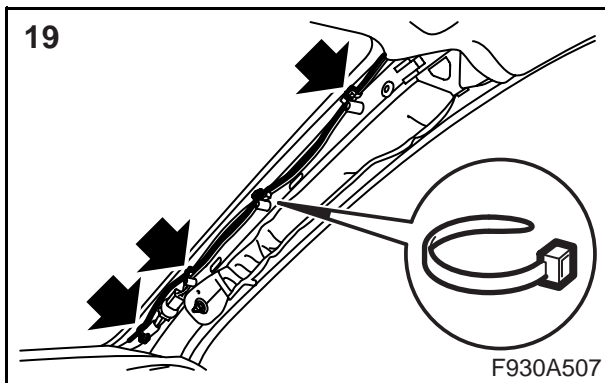
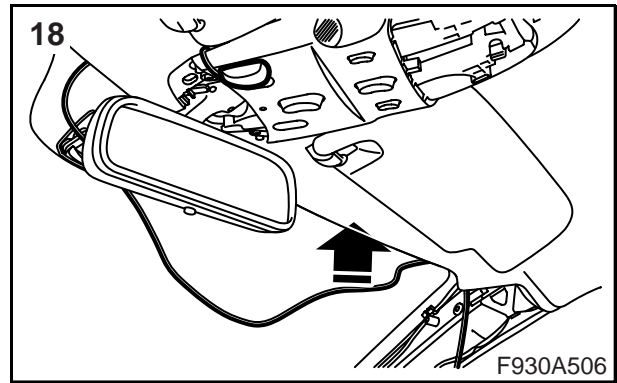
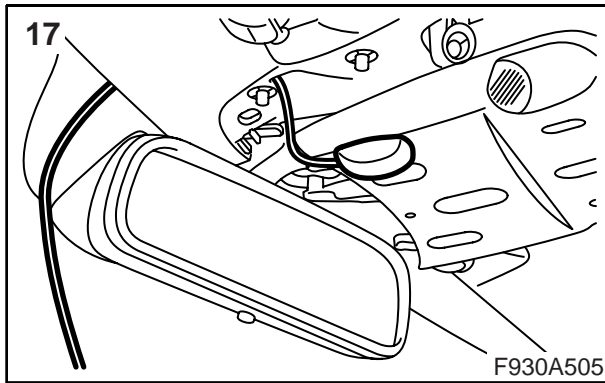
8 Grip the upper edge of the A-pillar trim and carefully pull out and up.



- 9 Remove the rear cover.
- 10 Remove the front cover.
- 11 Remove the screws.
- 12 Remove the centre cover.



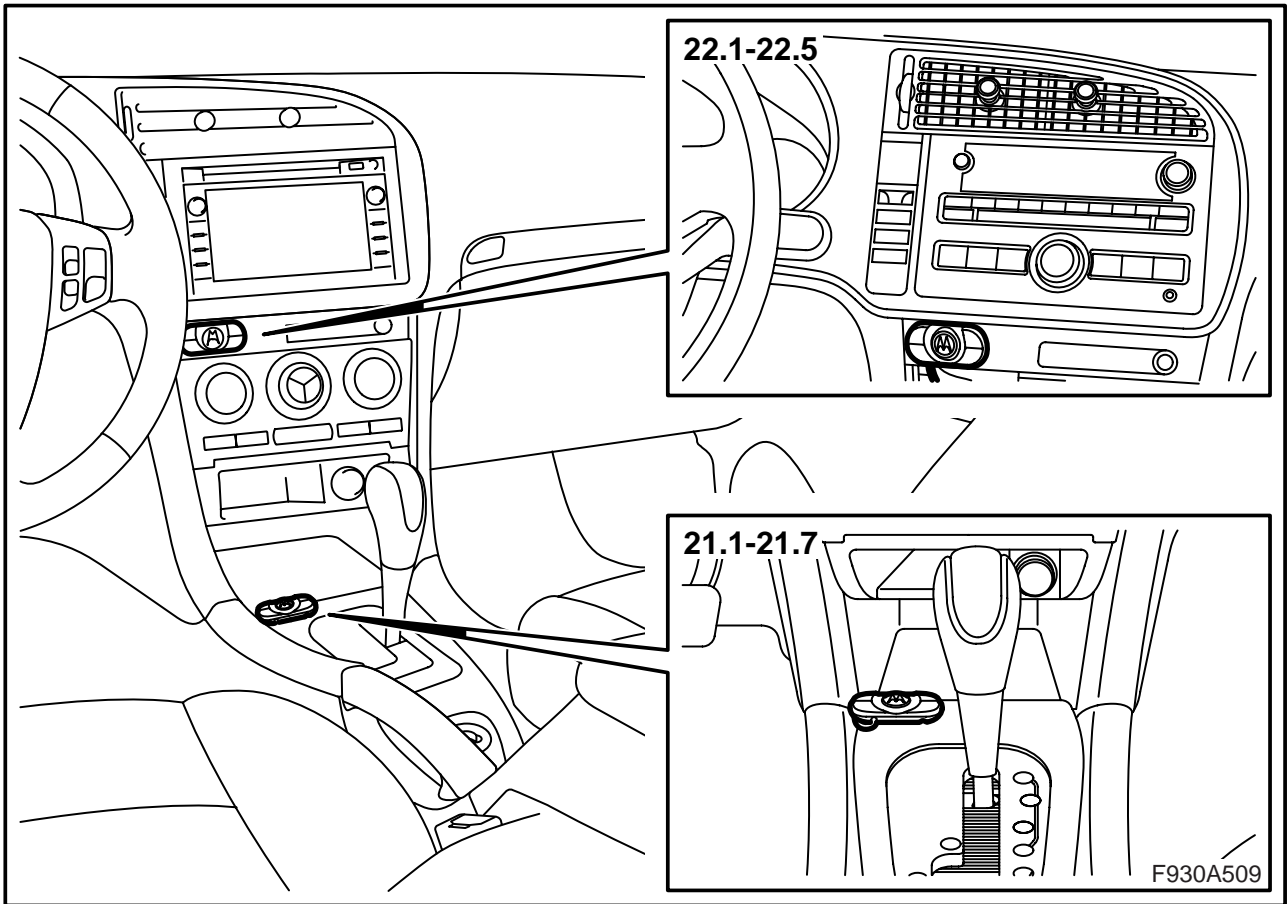
- 13 **Cars with rain sensor:** Remove the cover.
- 14 Fit the adhesive tape onto the microphone.
- 15 Fit the microphone.
- 16 Insert the microphone cable through the hole in the headlining by the roof console.



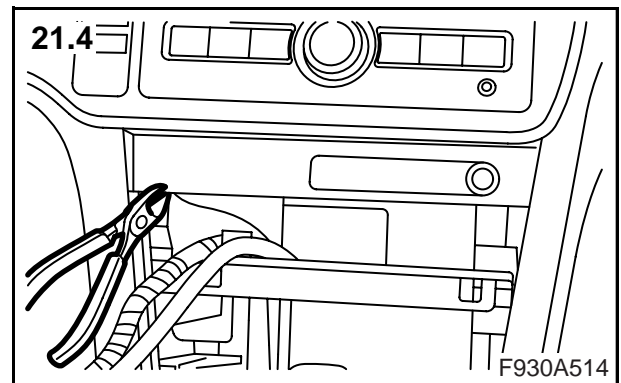
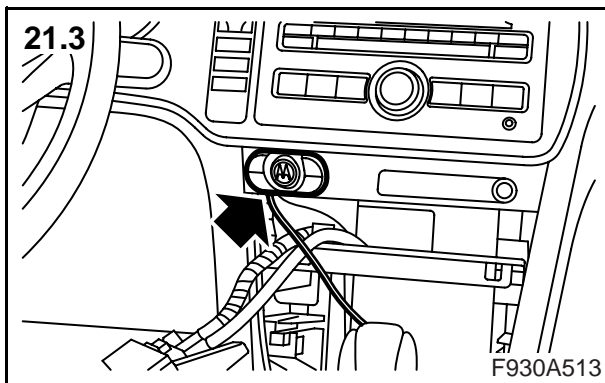
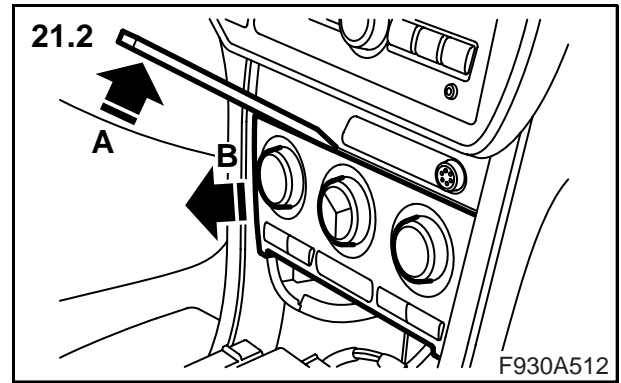
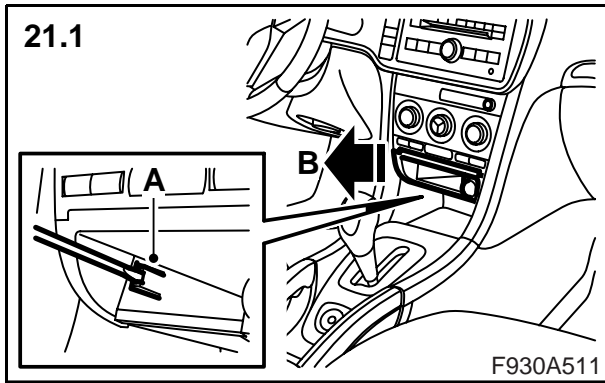
- 17 Route the microphone cable on under the headlining towards the windscreen. Press in the centre cover and draw the microphone cable tight at the same time.
- 18 Route the microphone cable under the headlining.
- 19 Secure the microphone cable to the A-pillar.
- 20 Route the microphone cable under the panel, and on to the centre console and secure it.

Important

Secure the wiring harness firmly so that there is no risk of chafing and rattling.

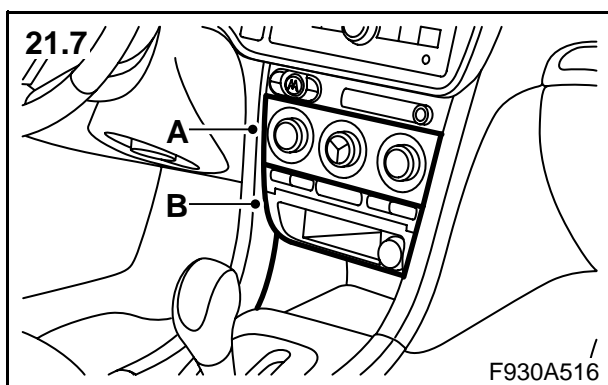
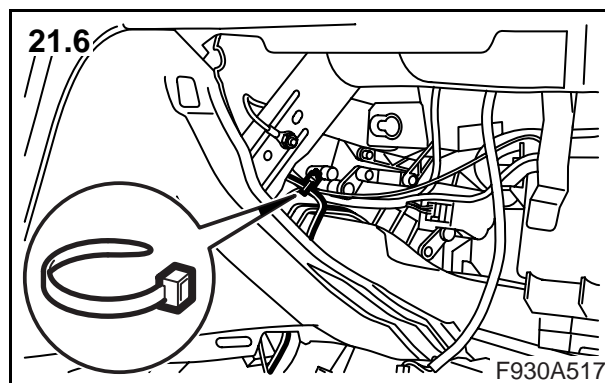
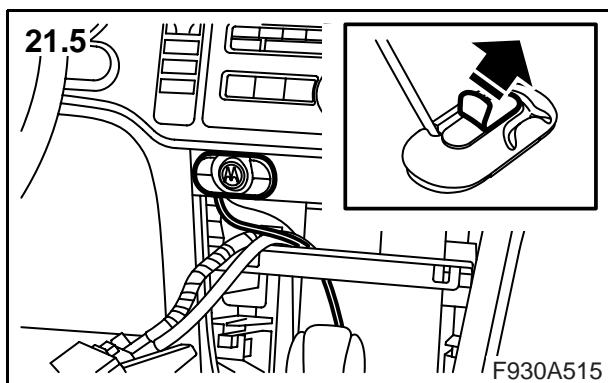


Fit the keypad in accordance with one of the alternatives.



21 Fitting the keypad, alternative 1:

- 21.1 Remove the ashtray/storage compartment.
- 21.2 Remove the ACC panel.
- 21.3 Fit the keypad to the console and mark out the cable route.
- 21.4 Cut out from the console for the cable.



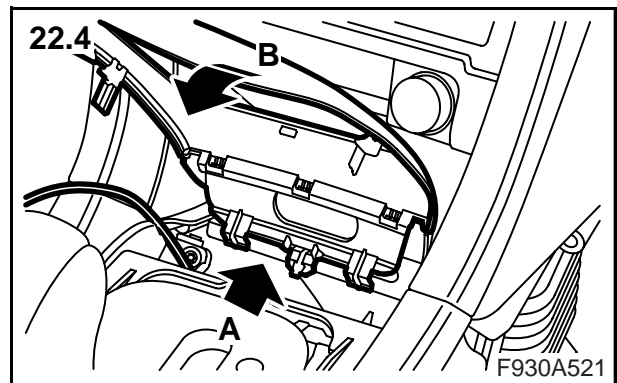
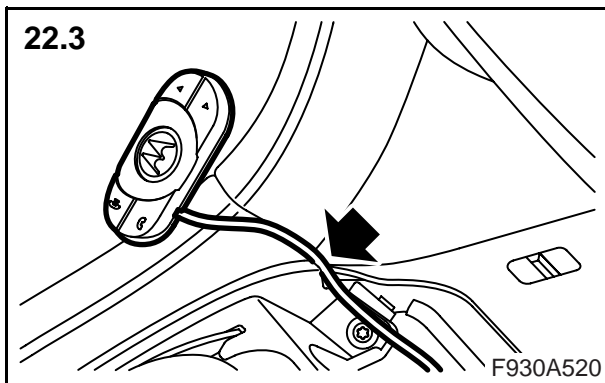
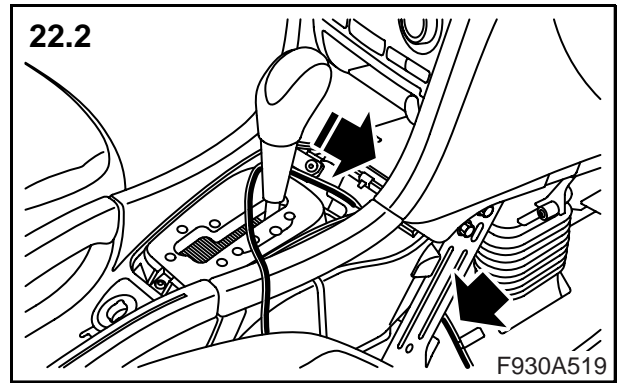
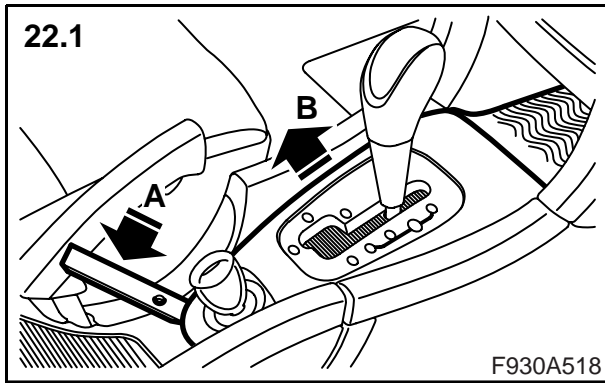
21.5 Fit the keypad to the console.

21.6 Route the cable down behind the radio down towards the air bellows and secure it.

Important

Secure the wiring harness firmly so that there is no risk of chafing and rattling.

21.7 Fit the ACC panel (A). Check that the keypad's cable is located in the groove. Fit the ashtray/storage compartment (B).



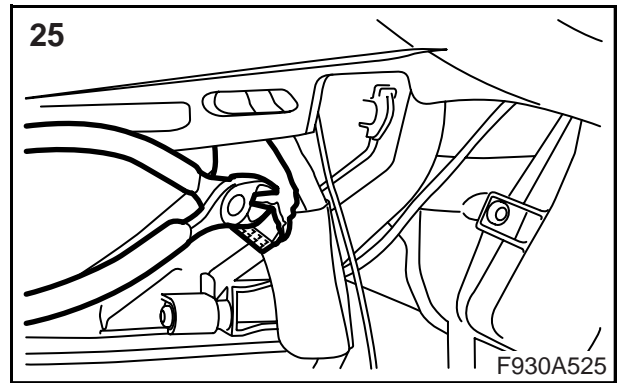
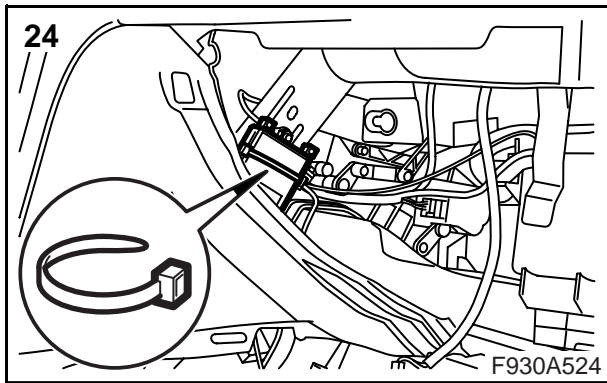
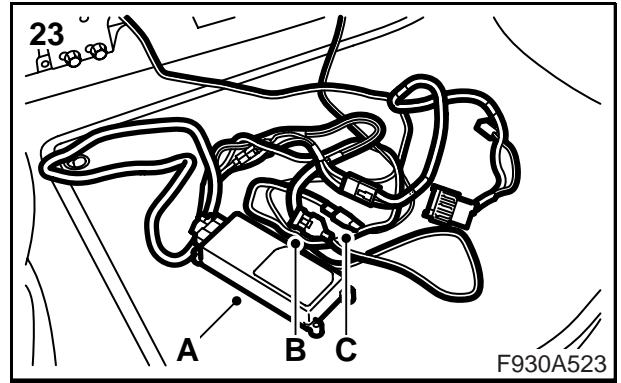
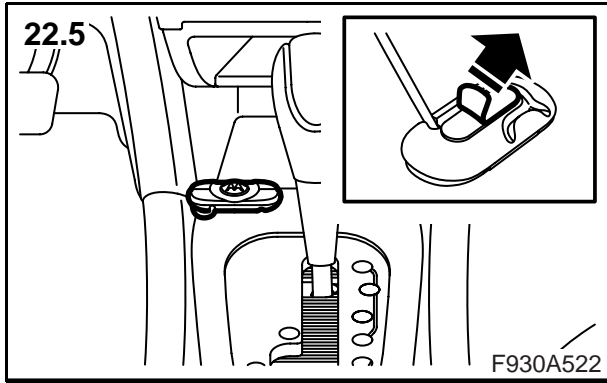
22 Fitting the keypad, alternative 2:

22.1 Remove the cover.

22.2 Route the cable along the right-hand side, down towards the air bellows.

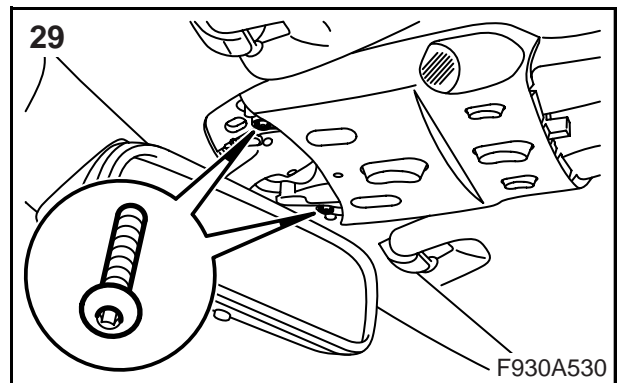
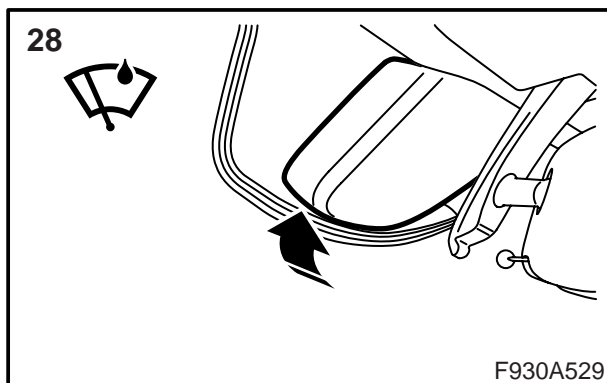
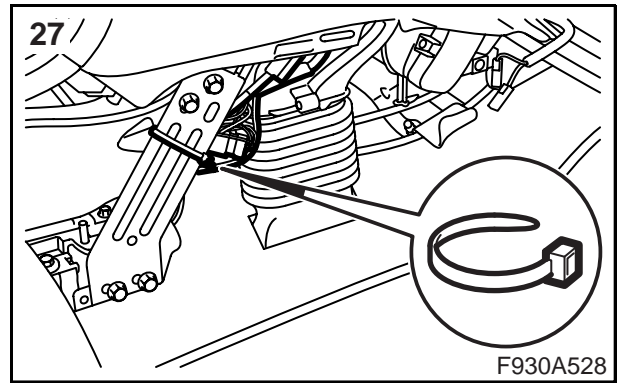
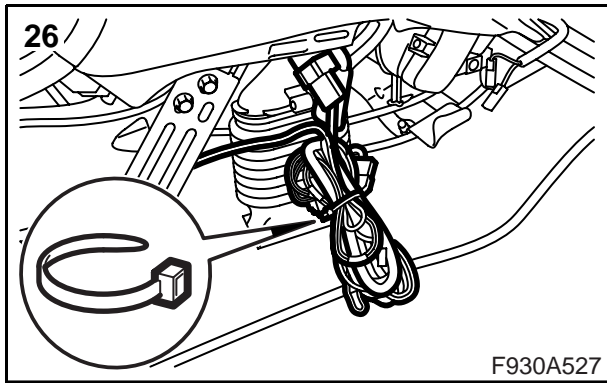
22.3 Route the cable in the dashboard's groove.

22.4 Fit the cover.



22.5 Fit the keypad and adjust any excess cable length.

- 23 Connect the control module (A), microphone (B) and keypad (C) to the adapter harness.
- 24 Secure the control module using two cable ties to the panel member.
- 25 Release the Tele1 connection from the car's cable harness by cutting the tape. The Tele1 connection is located adjacent to the lower edge of the centre console on the right-hand side.



26 Connect the adapter harness to the car's Tel 1 connection and secure the wiring.

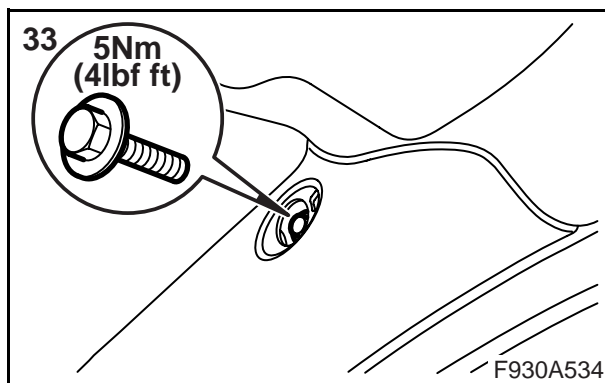
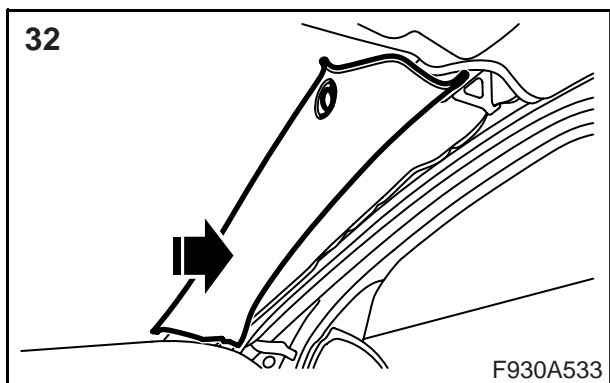
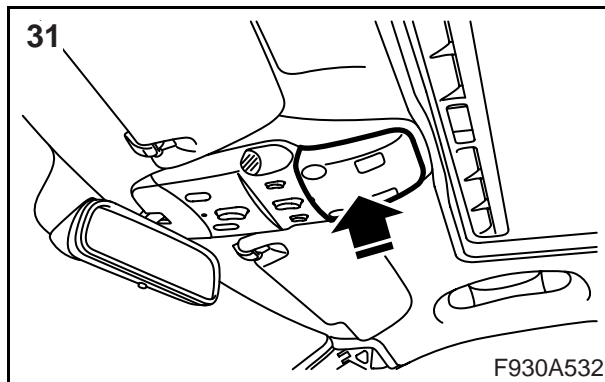
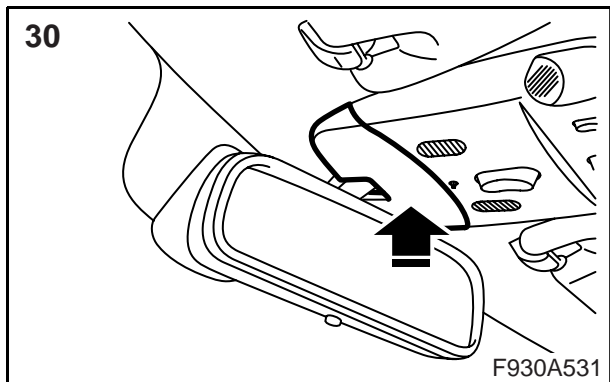
27 Secure the wiring to the panel member.

Important

Secure the wiring harness firmly so that there is no risk of chafing and rattling.

28 **Cars with rain sensor:** Fit the cover.

29 Fit the screws to the cover.



30 Fit the front cover.

31 Fit the rear cover.

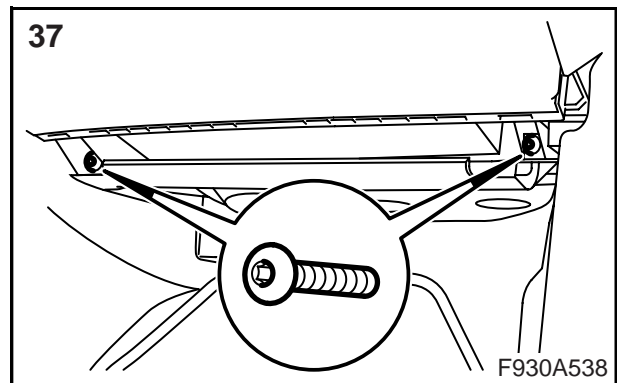
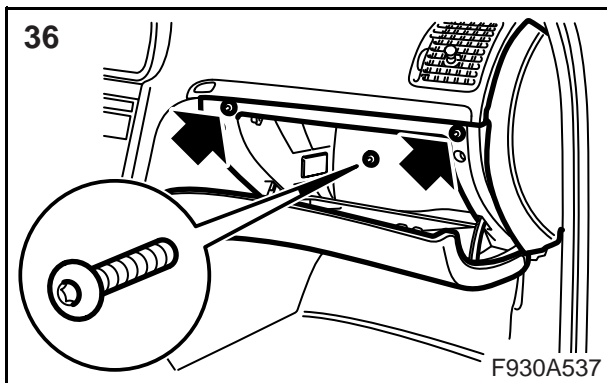
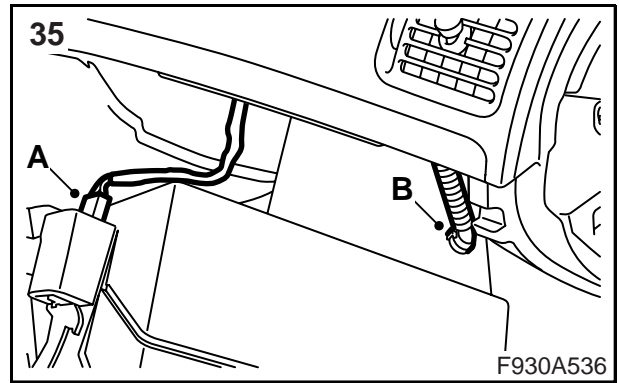
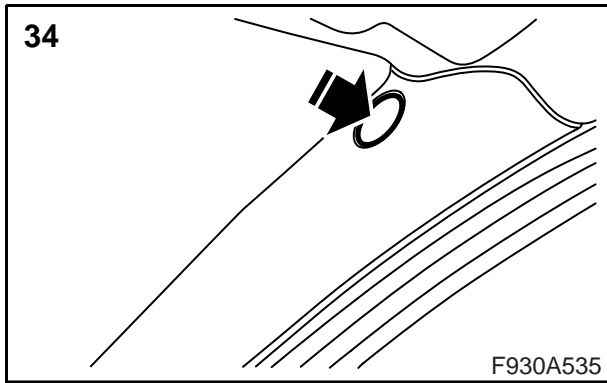
32 Align the A-pillar trim in position. Take care not to damage the inflatable curtain.

⚠ WARNING

Take care not to damage the inflatable curtain. Damage could result in the inflatable curtain not providing the intended protection to the occupants in the event of a collision.

33 Fit the retaining screw.

Tightening torque: 5 Nm (4 lbf ft).



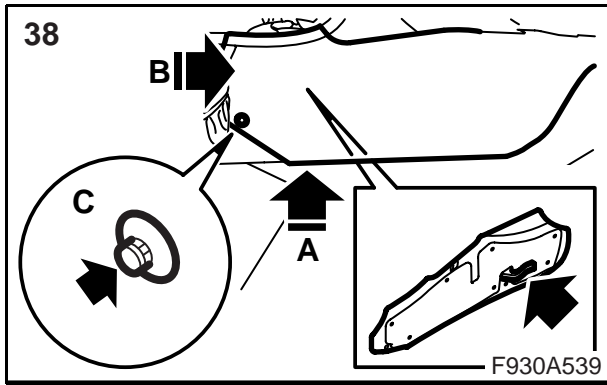
34 Fit the cover plate to the A-pillar trim.

35 Plug in the connector for the glove box lighting (A).

Cars with ACC: Fit the coolant hose for the glove box (B).

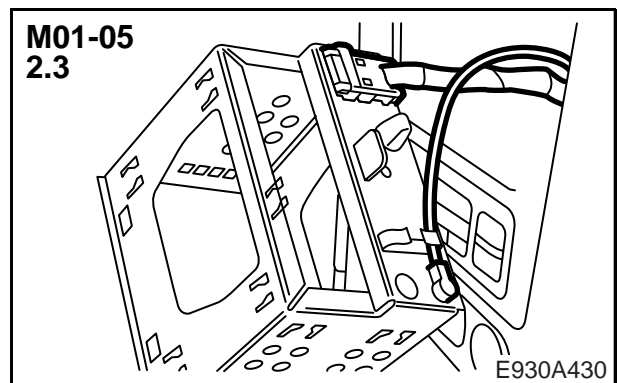
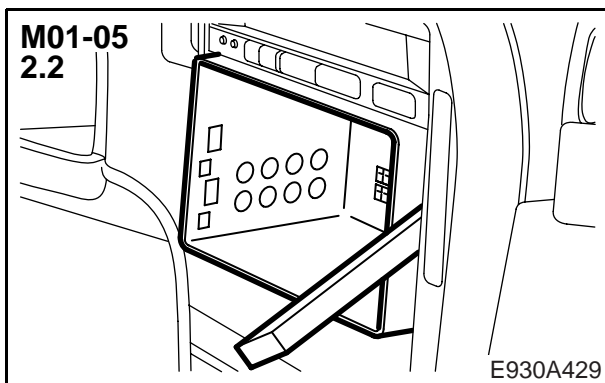
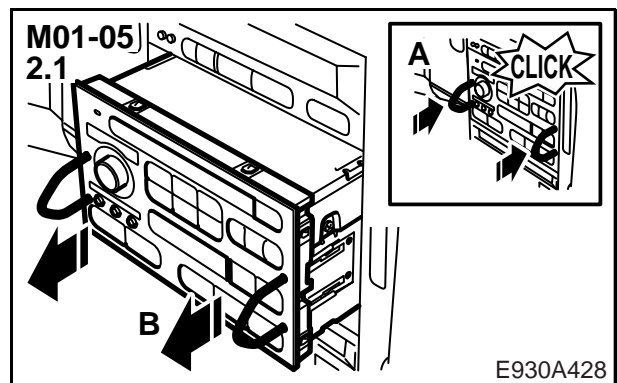
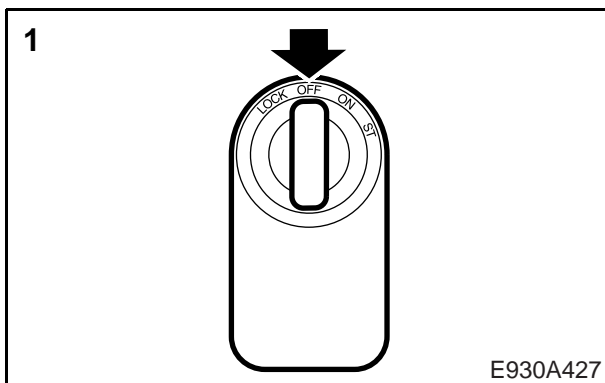
36 Fit the inner glove box screws.

37 Fit the lower glove box screws.

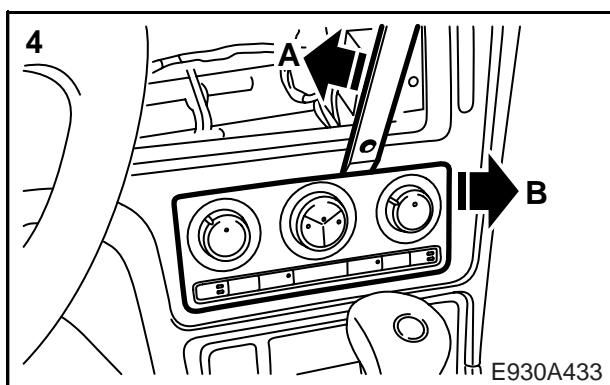
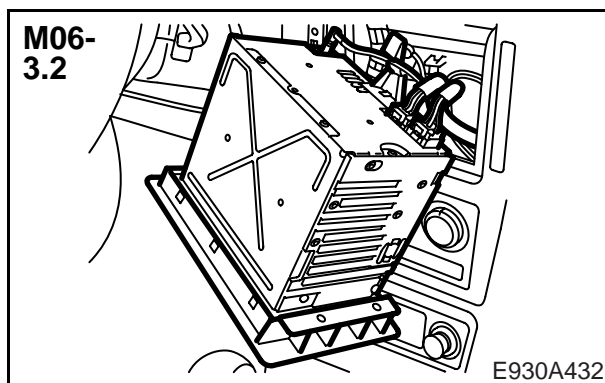
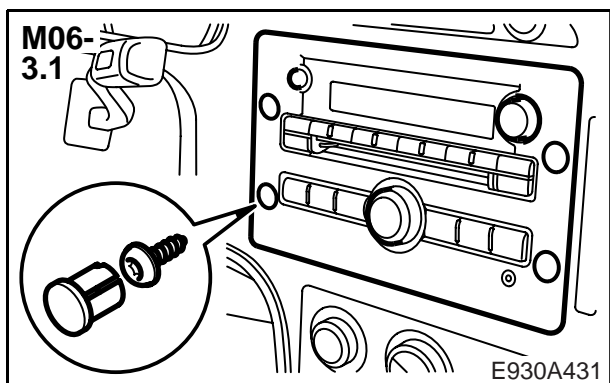


38 Fit the floor console's right-hand side piece.

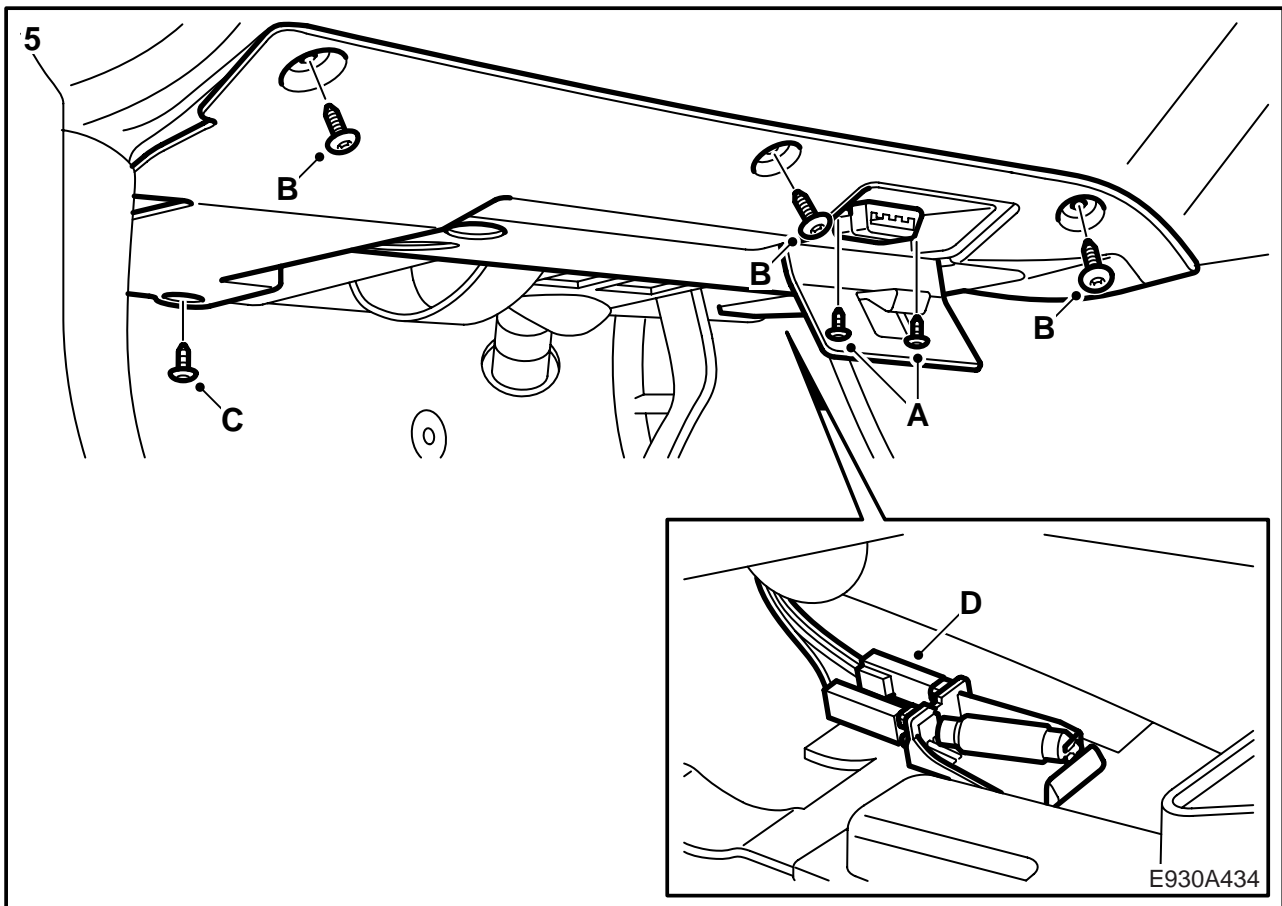
Saab 9-5 M01-



- 1 Ignition in OFF position.
- 2 Remove the radio/navigation unit, M01-05:
 - 2.1 Insert the special tools into the intended holes until the tools engage and pull out the unit.
 - 2.2 Remove the compartment.
 - 2.3 Unplug the connectors.

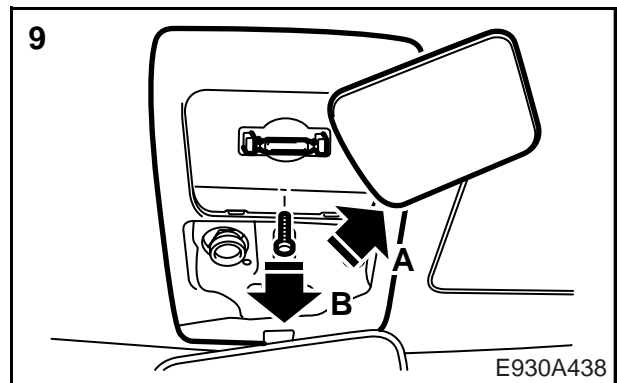
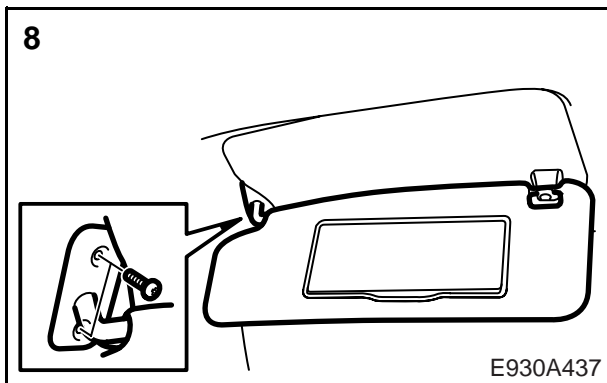
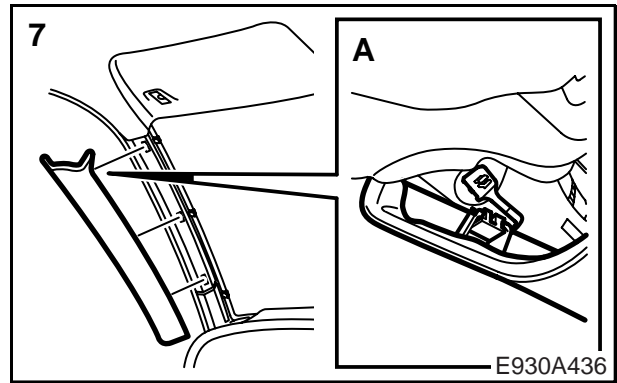
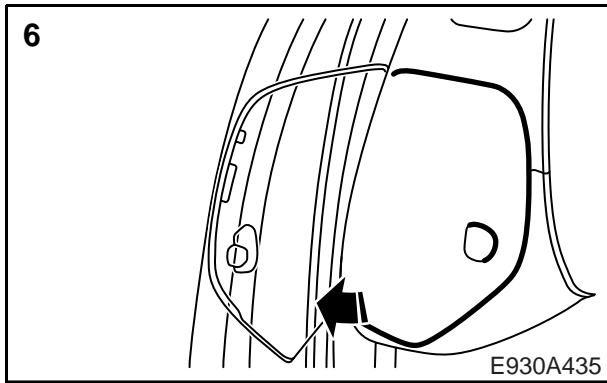


- 3 Remove the radio/navigation unit, M06-
 - 3.1 Remove the plugs and remove the screws.
 - 3.2 Pull the unit out and unplug the connectors and disconnect the antenna connection.
- 4 Remove the ACC panel.



5 Remove the lower section of the dashboard on the driver's side:

- 5.1 Remove the data link connector (A)
- 5.2 Remove the lower panel (B).
- 5.3 Remove the clip (C).
- 5.4 Remove the floor lighting (D).

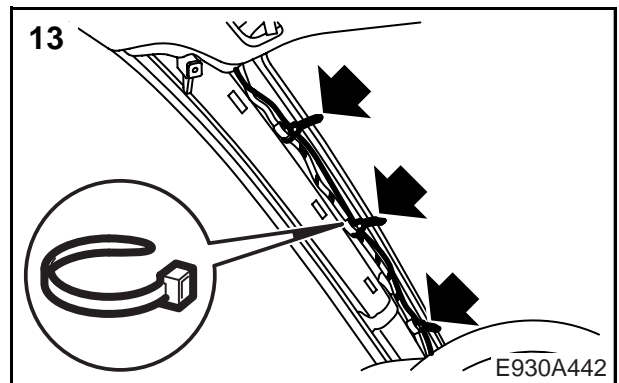
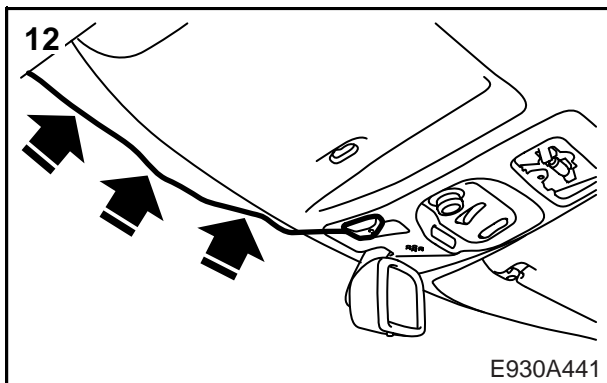
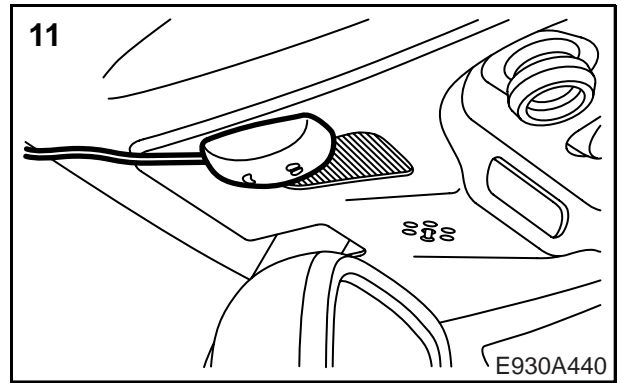
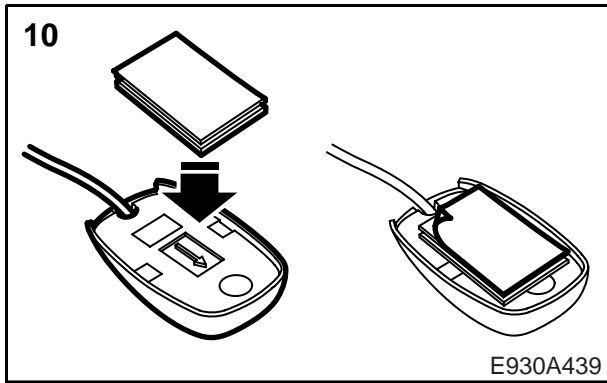


- 6 Remove the cover to the fuses.
- 7 Remove the A-pillar trim (secured with clips).
Remove the upper clip (A) from the trim.

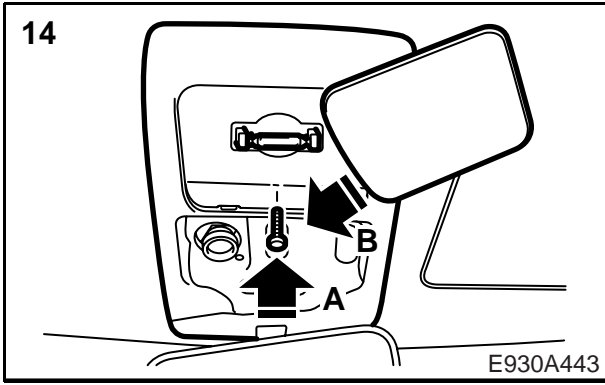
⚠ WARNING

Take care not to damage or loosen the energy absorbers. Damaged or loosened energy absorbers must not be refitted. In appropriate cases, the whole of the headlining must be replaced. A damaged energy absorber could provide reduced protection to the head in the event of impact.

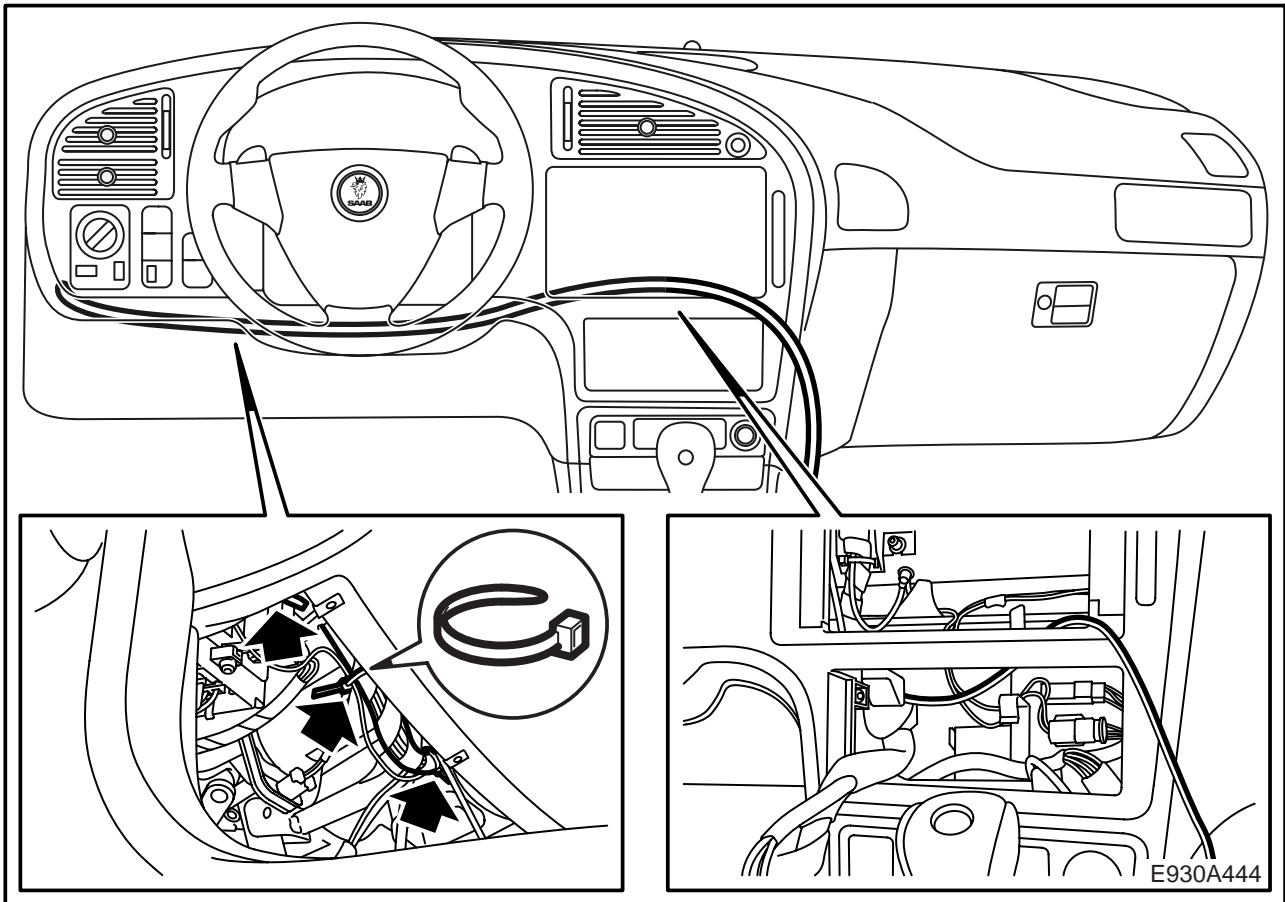
- 8 Remove the sun visor's screws and allow the sun visor to hang down.
- 9 Remove the glass cover (A), the retaining screw (B) and lower the cover.



- 10 Fit the adhesive tape to the microphone.
- 11 Press the microphone in on the outside of the cover, beside the car's original microphone.
- 12 Route the microphone cable up, under the headlining and on, down around the A-pillar.
- 13 Secure the microphone cable up against the existing cable ties.



- 14 Press the cover in, fit the retaining screw (B) and the glass cover (A).



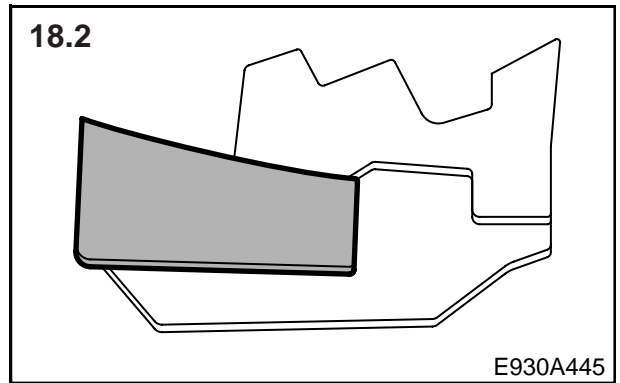
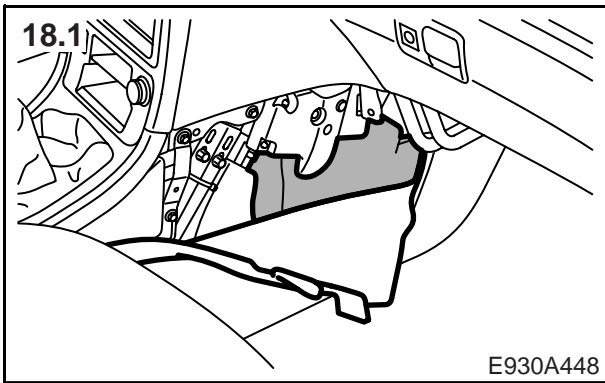
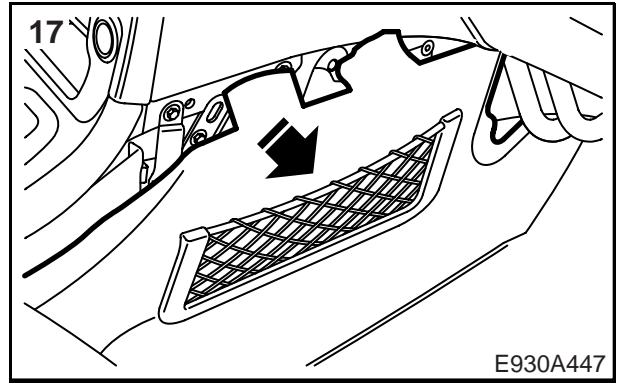
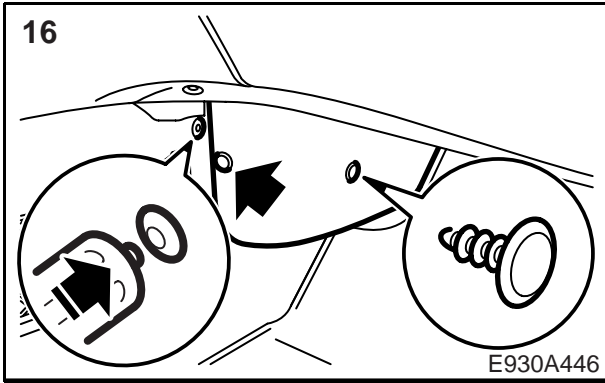
15 Route and secure the microphone cable:

Route the cable under the panel, towards the centre console and in behind the radio/navigation unit

Secure the cable under the panel.

Important

Secure the wiring harness firmly so that there is no risk of chafing and rattling.



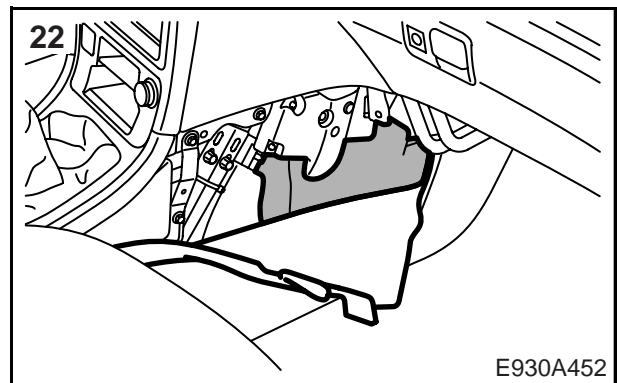
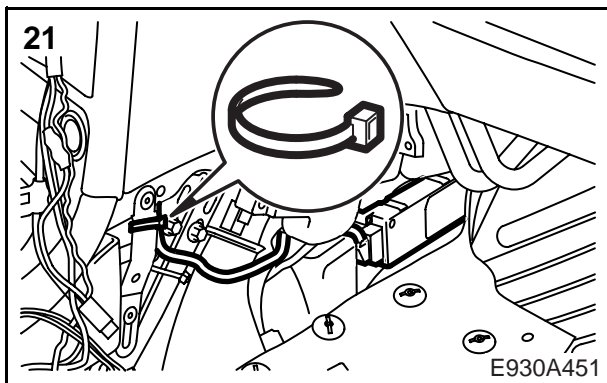
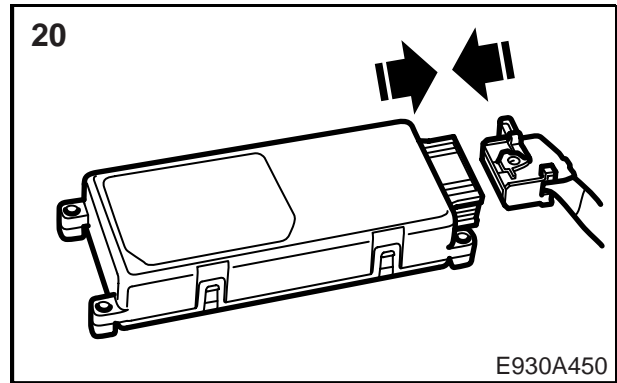
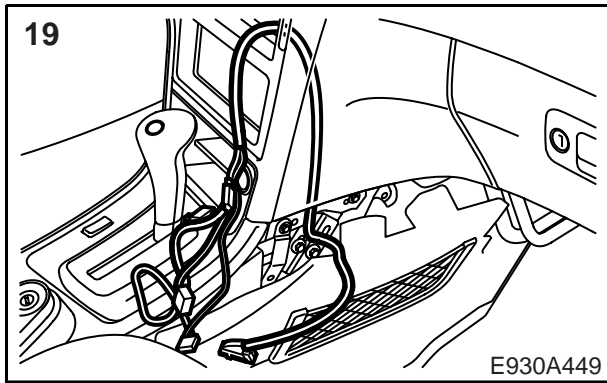
16 Remove the cover for the heating and ventilation unit.

17 Fold aside the floor carpet.

18 **Cars with diesel engine:**

18.1 Remove the sound absorber.

18.2 Cut out the top insulation layer.



19 Position the adapter harness.

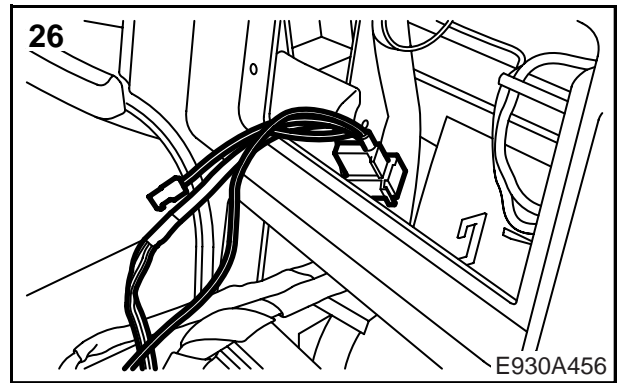
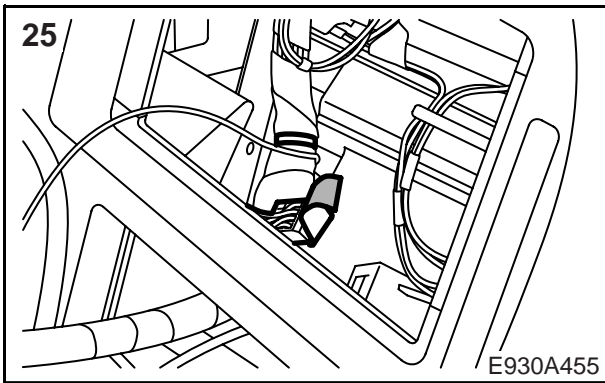
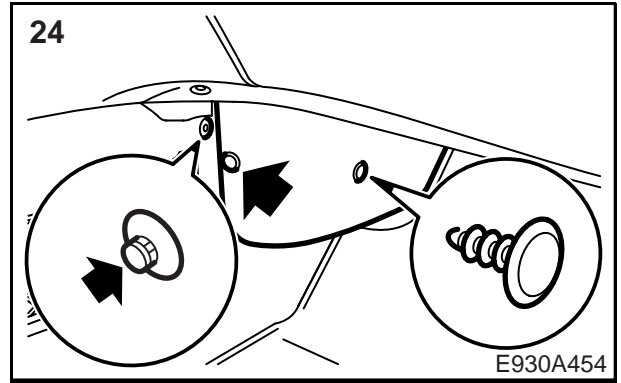
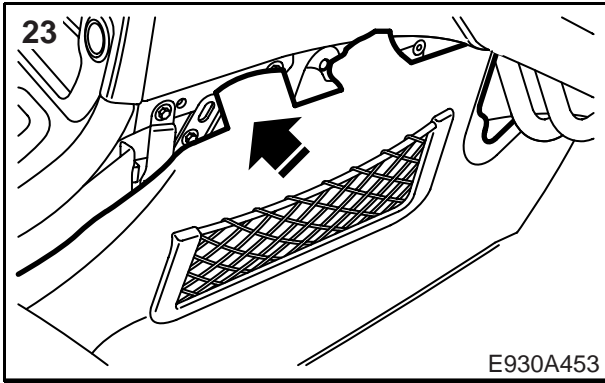
20 Connect the control module to the adapter harness.

21 Align the control module and secure the wiring.

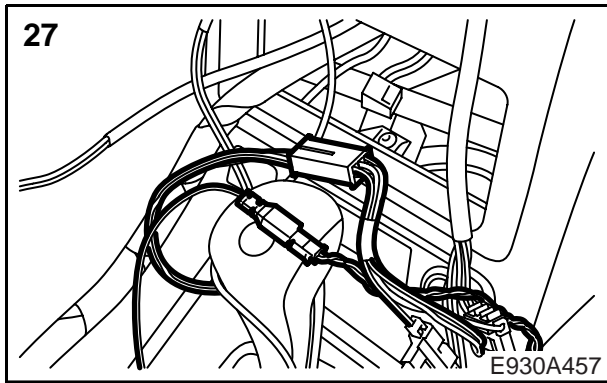
Important

Secure the wiring harness firmly so that there is no risk of chafing and rattling.

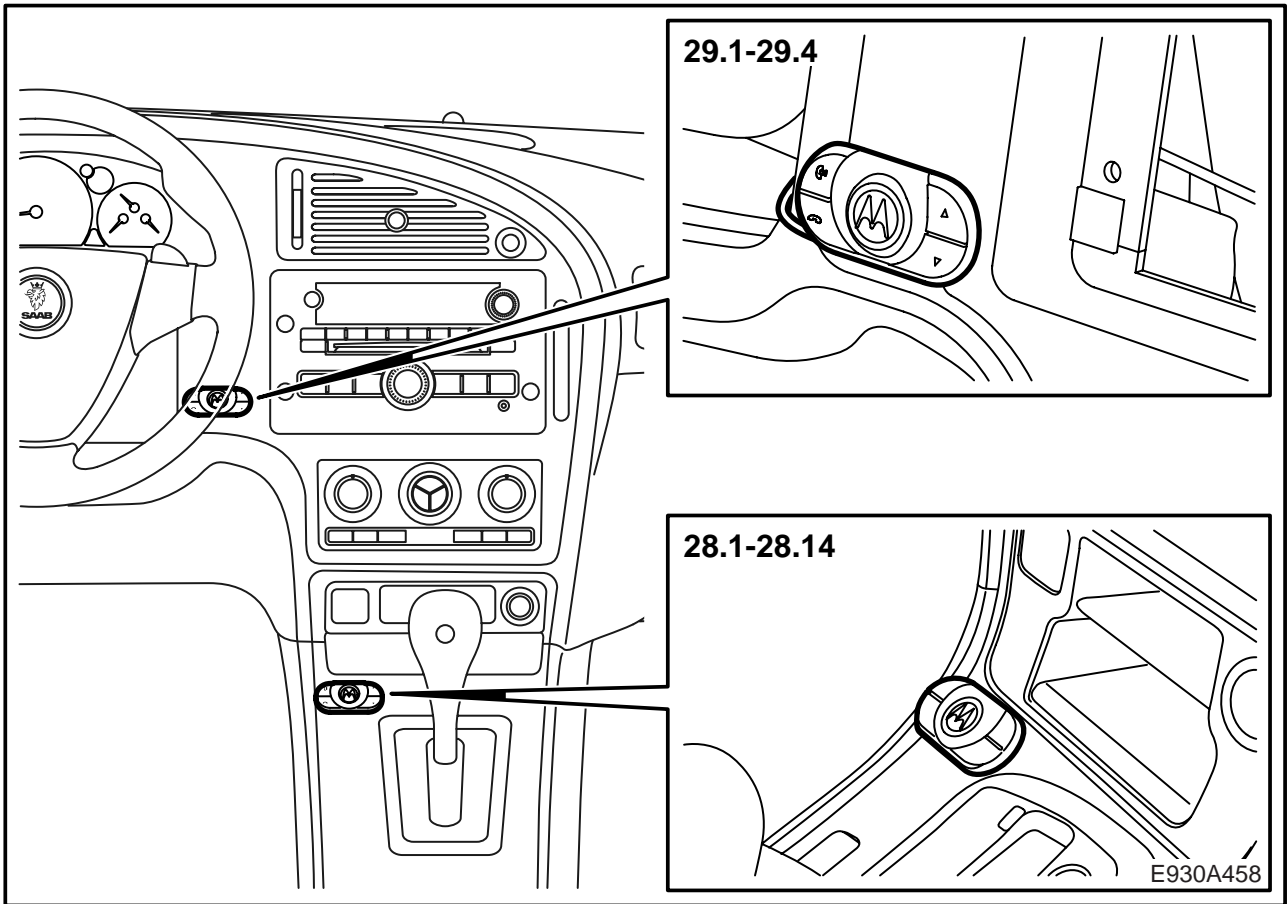
22 **Cars with diesel engine:** Fit the sound absorber.



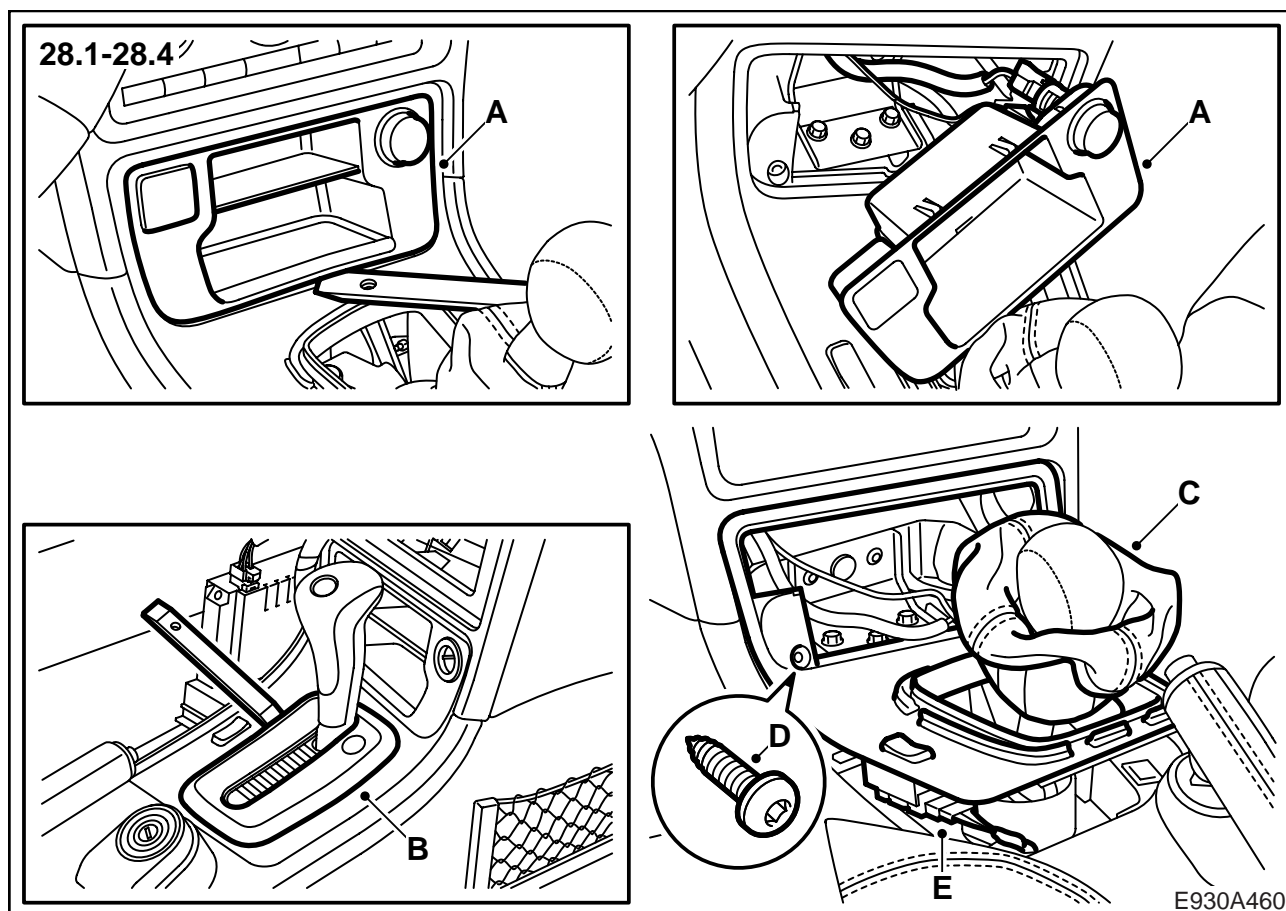
- 23 Refit the floor carpet.
- 24 Fit the cover for the heating and ventilation unit.
- 25 Cut the tape around the Tele1 connection on the car's wiring harness.
- 26 Connect the adapter harness to the car's Tele1 connection.



27 Connect the adapter harnesses.



Fit the keypad in accordance with one of the alternatives.

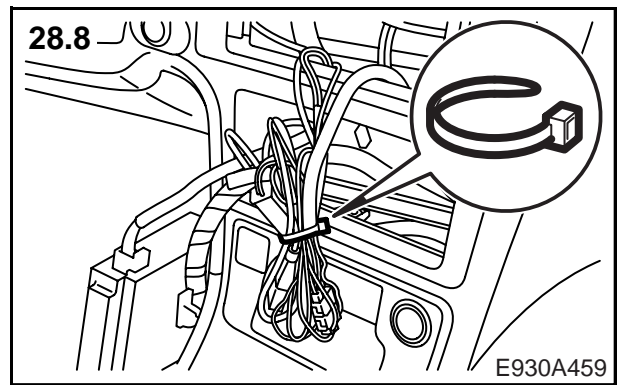
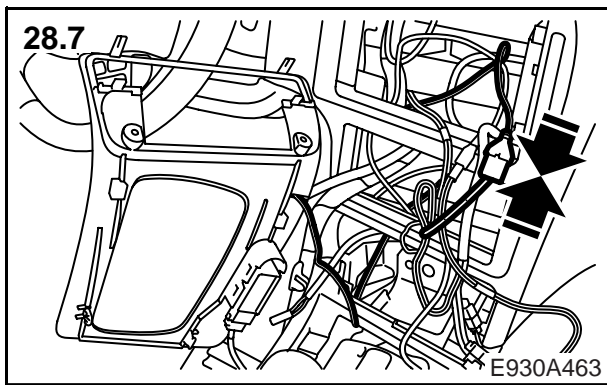
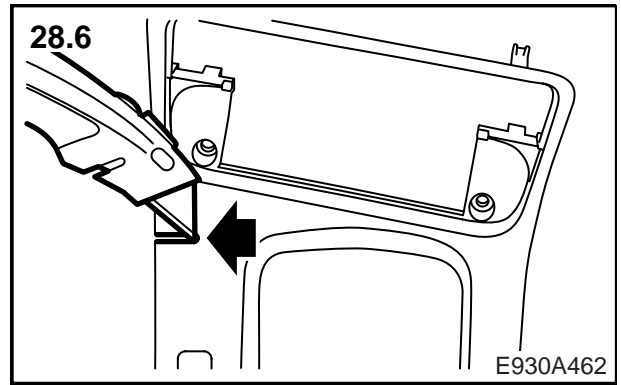
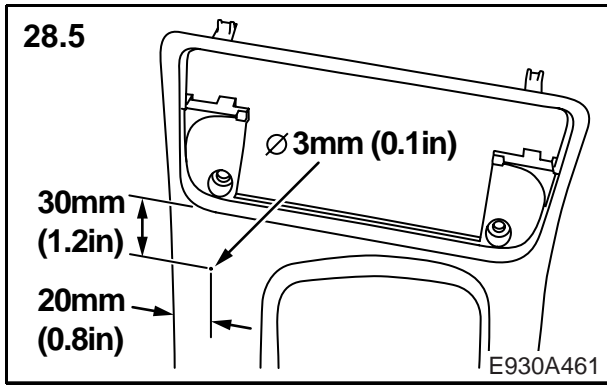


28 Fitting the keypad, alternative 1:

Important

This location is not an option for cars equipped with ashtray, as the ashtray would come into contact with the keypad when extended.

- 28.1 Remove the storage compartment (A).
- 28.2 **Automatic transmission:** Remove the surround (B).
- 28.3 **Manual gearbox:** Lift up the gear lever gaiter (C).
- 28.4 Remove the cover's screws (D) and unplug the connector (E).

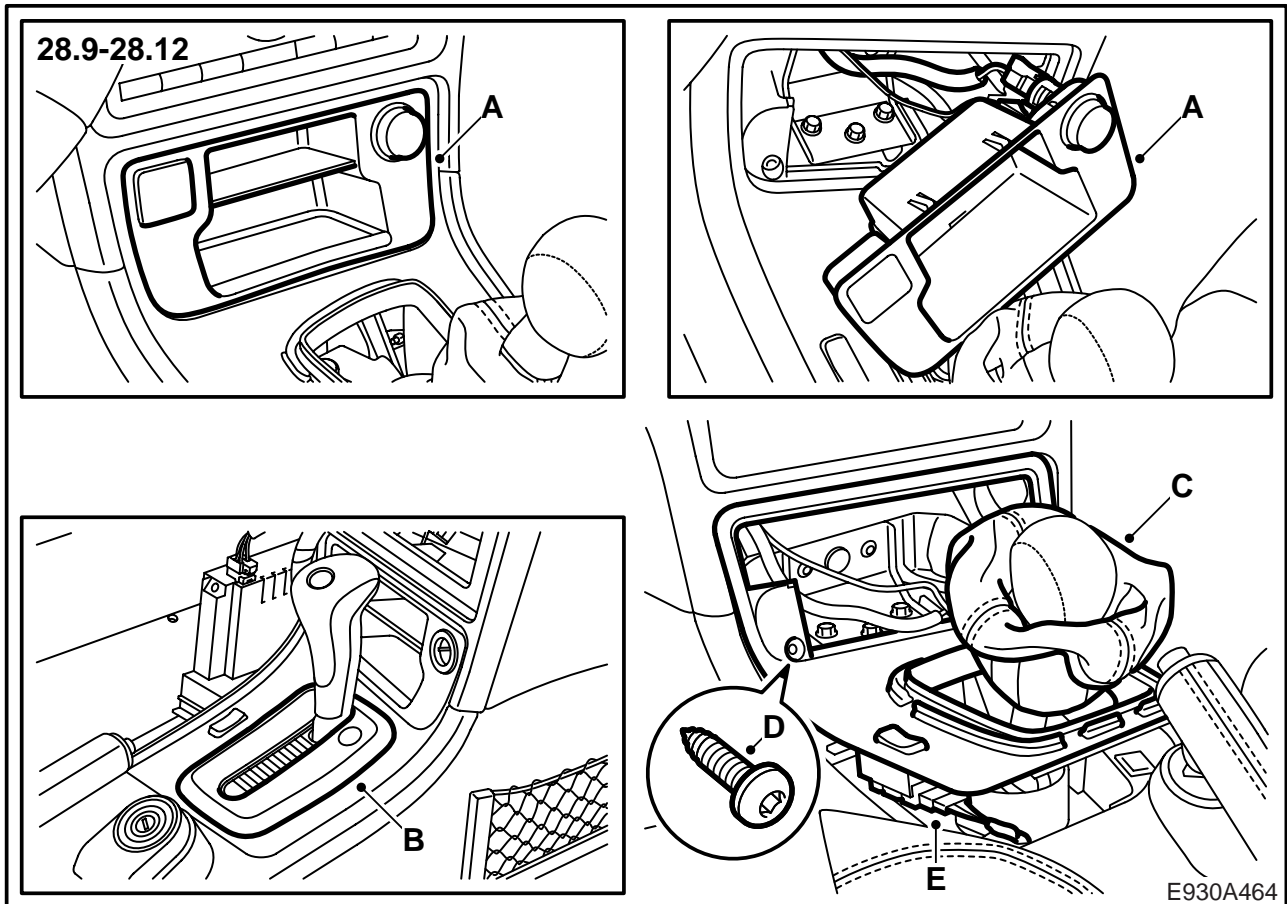


28.5 Measure out the keypad location and drill a 3 mm hole.

28.6 Cut/drill a groove straight out.

28.7 Connect the keypad to the adapter harness.

28.8 Secure the wiring.

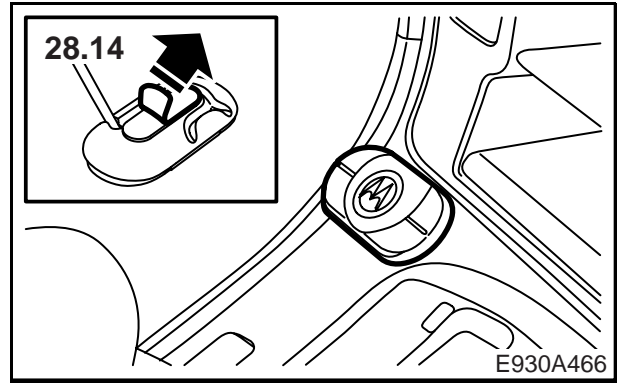
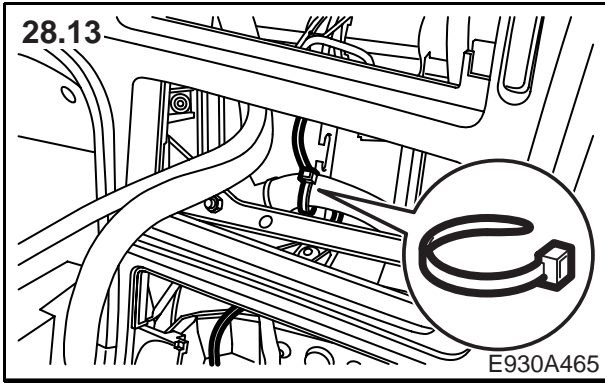


28.9 Plug in the connector (E) and fit the cover's screws (D).

28.10 **Manual gearbox:** Fit the gear lever gaiter (C).

28.11

28.12 Fit the storage compartment (A).

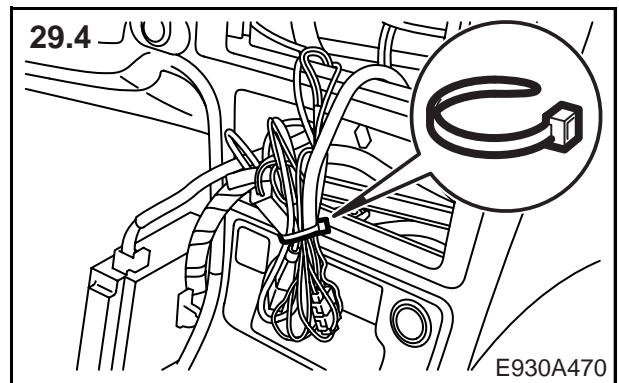
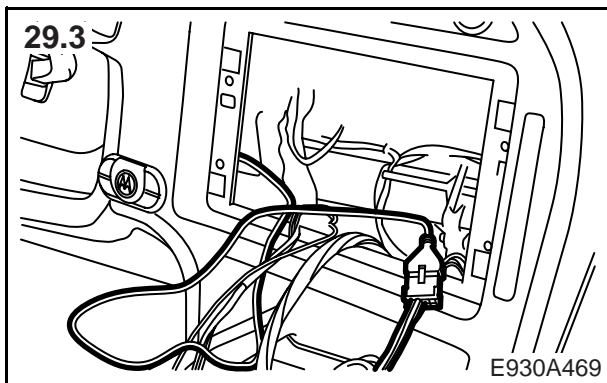
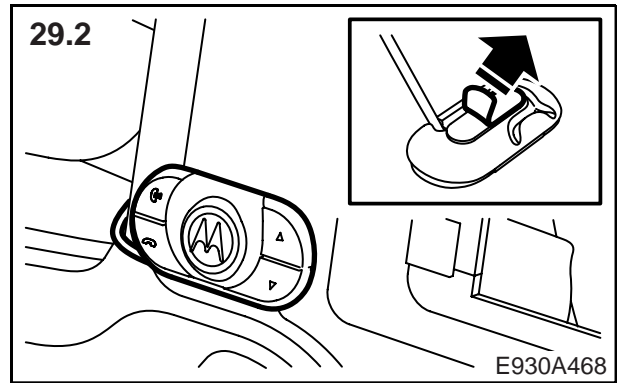
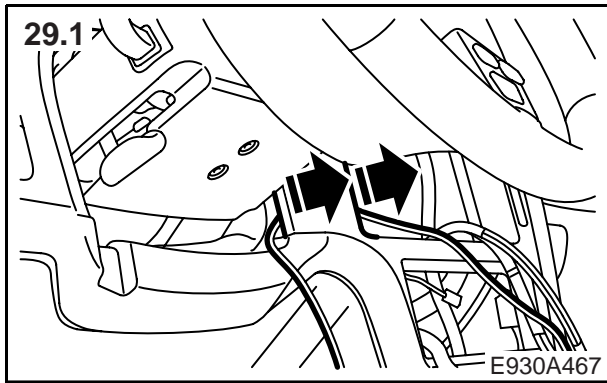


28.13 Secure the keypad's wiring harness.

Important

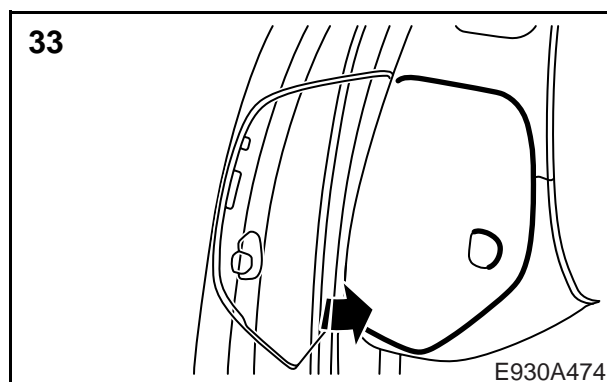
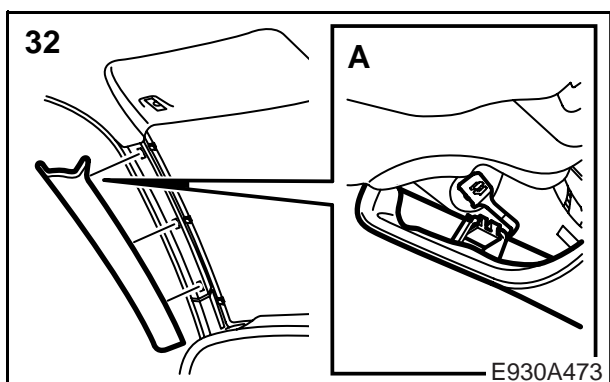
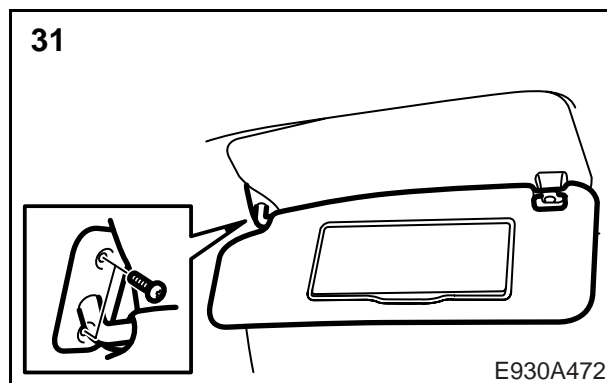
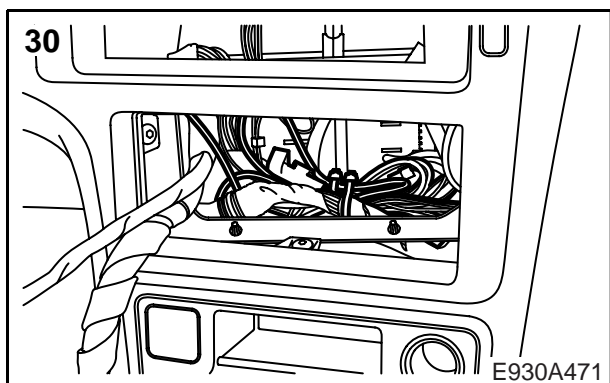
Secure the wiring harness firmly so that there is no risk of chafing and rattling.

28.14 Fit the keypad.



29 Fitting the keypad, alternative 2:

- 29.1 Carefully prize out the switch panel and route the keypad cable between the switch panel and the dashboard.
- 29.2 Fit the keypad.
- 29.3 Connect the keypad to the adapter harness.
- 29.4 Secure the wiring.



30 Secure the wiring together with the car's wiring harness.

Important

Secure the wiring harness firmly so that there is no risk of chafing and rattling.

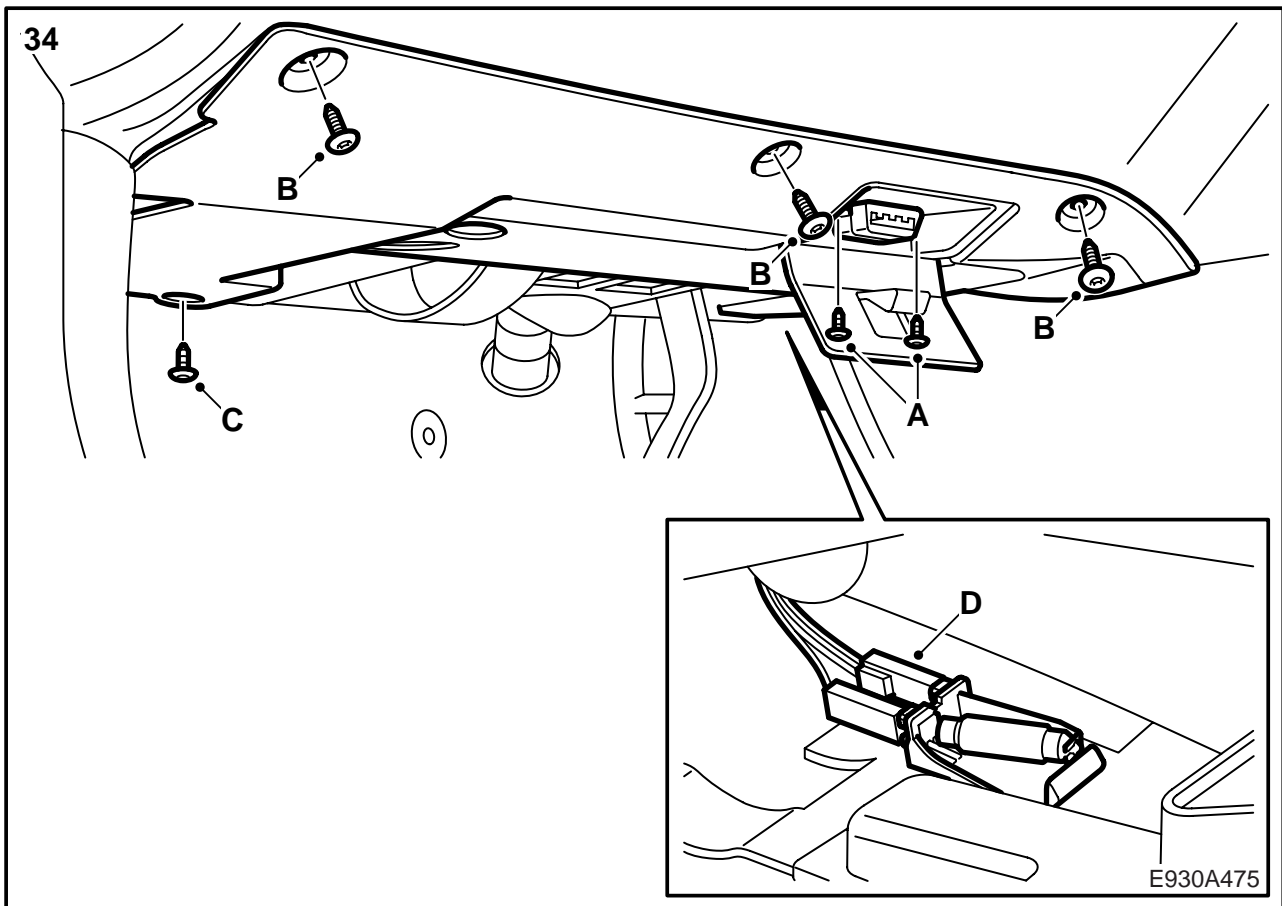
31 Fit the sun visor's screws.

32 Fit the lower section of the trim in place, fit the clip (A) with the loop down in the trim and press the trim into all of the clips.

WARNING

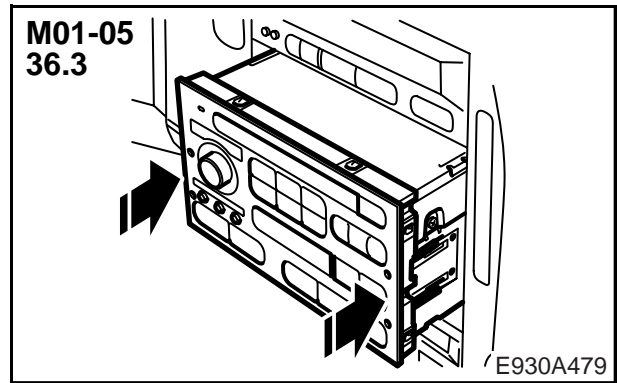
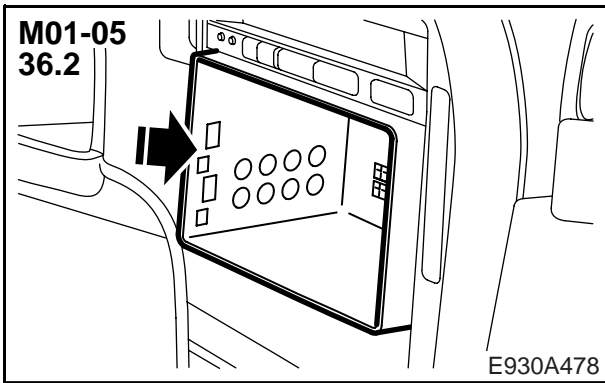
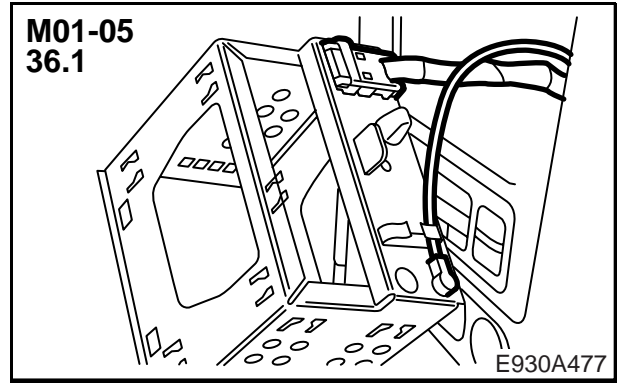
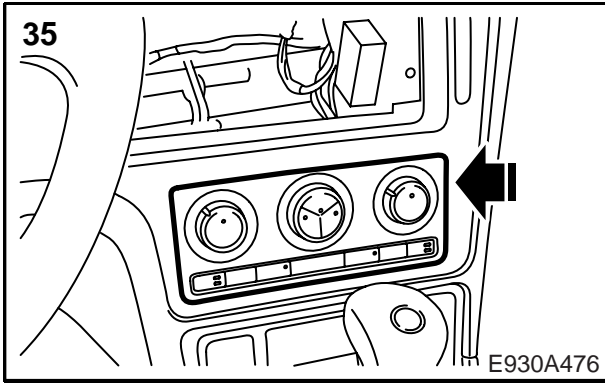
Take care not to damage or loosen the energy absorbers. Damaged or loosened energy absorbers must not be refitted. In appropriate cases, the whole of the headlining must be replaced. A damaged energy absorber could provide reduced protection to the head in the event of impact.

33 Fit the cover to the fuses.



34 Fit the lower section of the dashboard:

- 34.1 Connect the floor lighting (D).
- 34.2 Fit the clip (C).
- 34.3 Fit the lower panel (B).
- 34.4 Fit the data link connector (A)



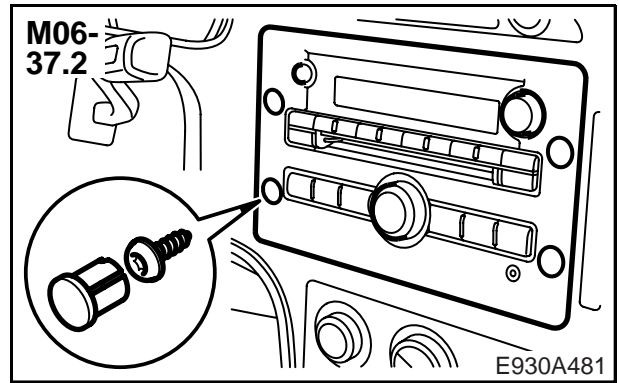
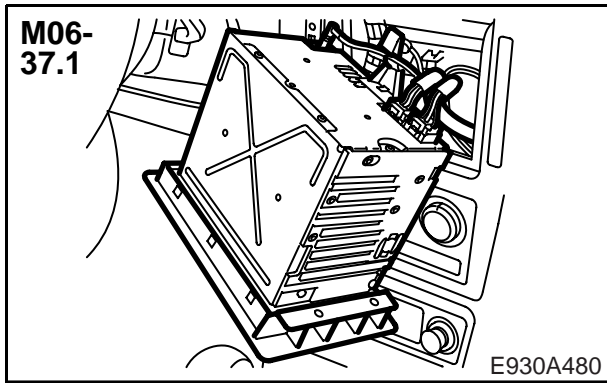
35 Fit the ACC panel.

36 Fit the radio/navigation unit, M01-05:

36.1 Plug in the connectors.

36.2 Fit the compartment.

36.3 Insert the unit.



- 37 Fit the radio/navigation unit, M06-
- 37.1 Plug in the connectors.
 - 37.2 Insert the unit, fit the screws and the plugs.