



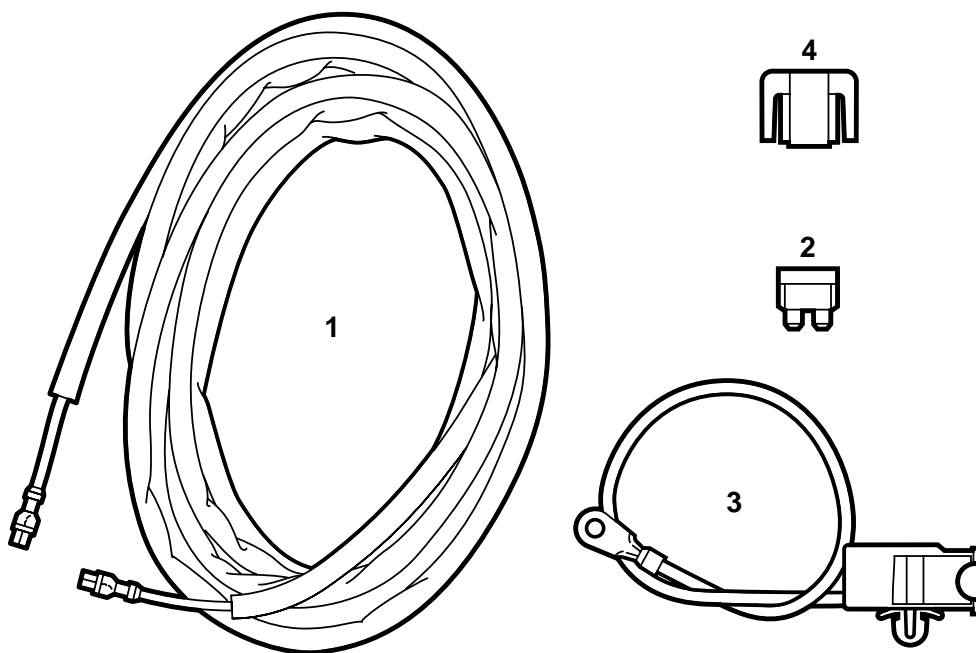
**SAAB**

**MONTERINGSANVISNING · INSTALLATION INSTRUCTIONS  
MONTAGEANLEITUNG · INSTALLATIONS DE MONTAGE**

## Saab 900 M94-, Saab 9000 M85-, Saab 9-3

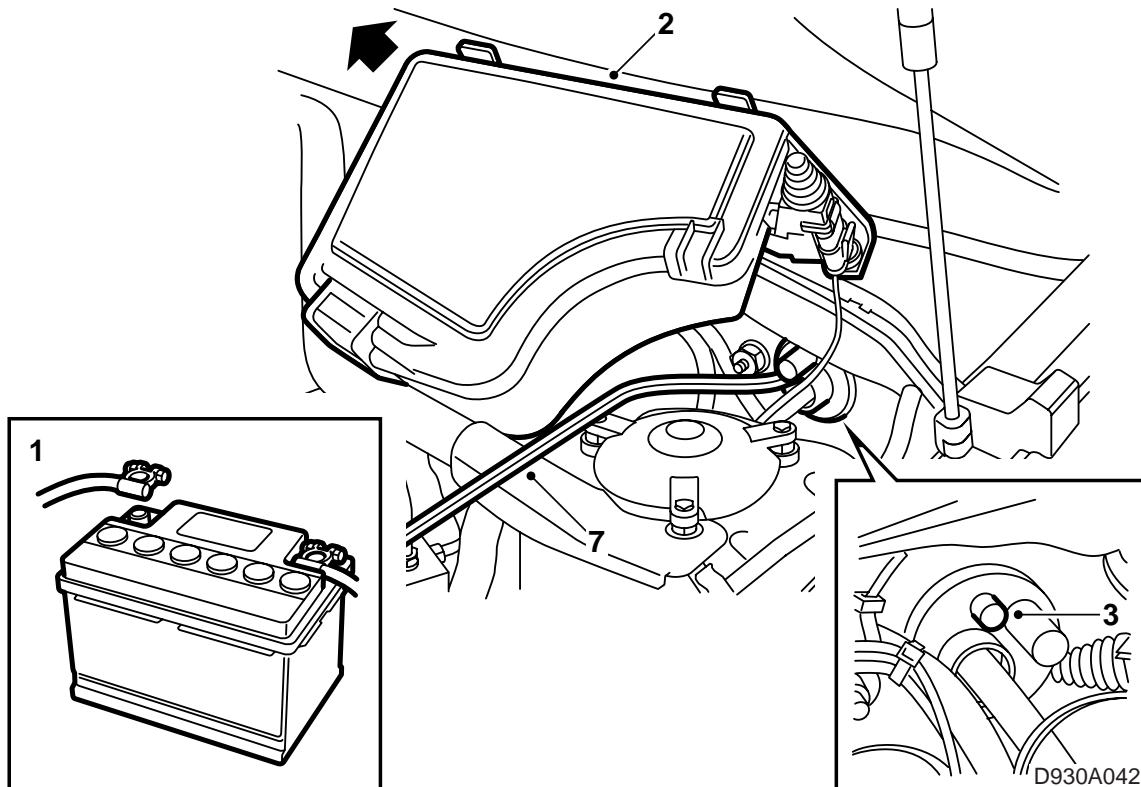
Towbar wiring harness, positive supply

Accessories Part No.	Group	Date	Instruction Part No.	Replaces
400 101 226	3:71-12	Sep 98	86 80 159	75 04 48 Jul 93



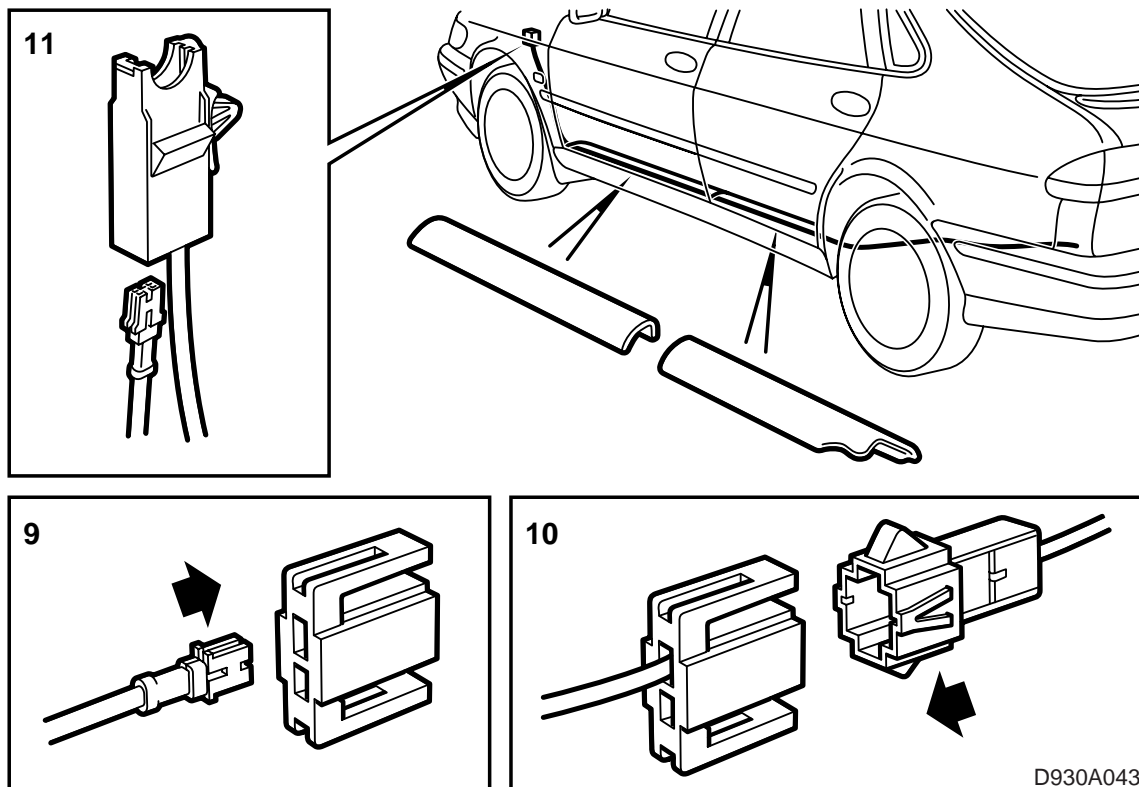
D930A041

- 1 Wiring harness
- 2 Fuse 15A
- 3 Fuse holder with wiring harness
- 4 2-pin connector

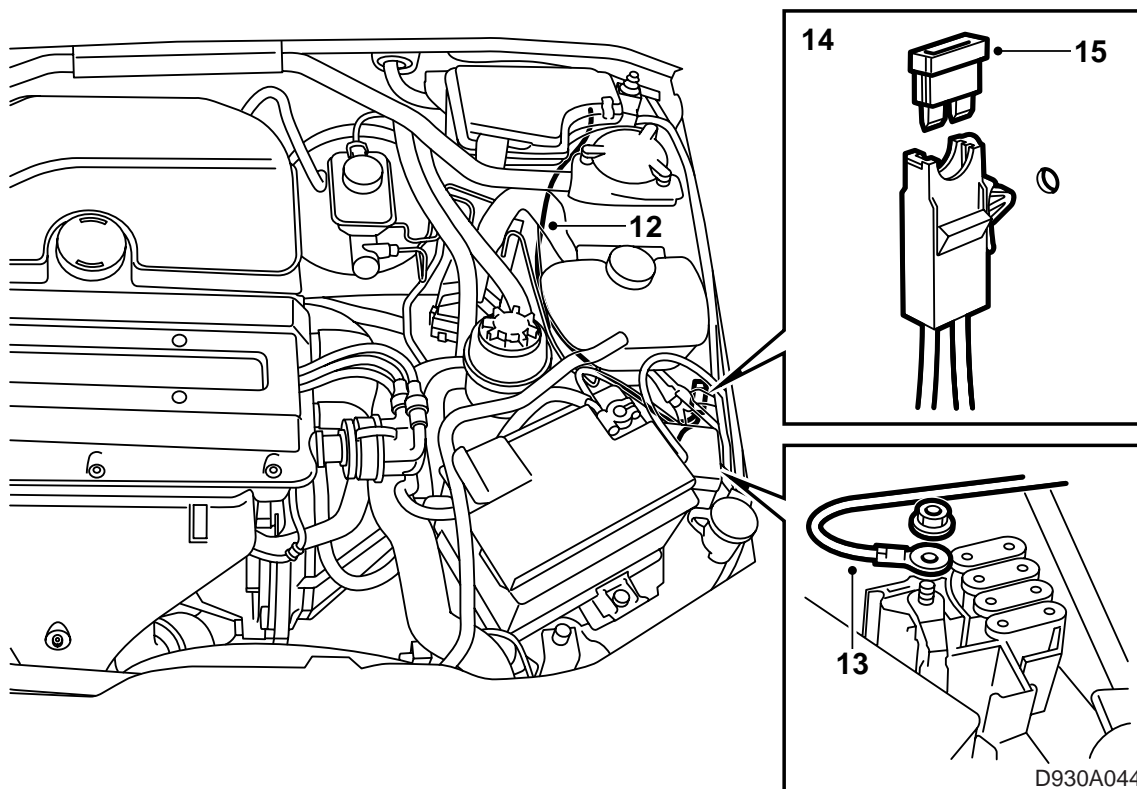


### 900 M94-, 9-3

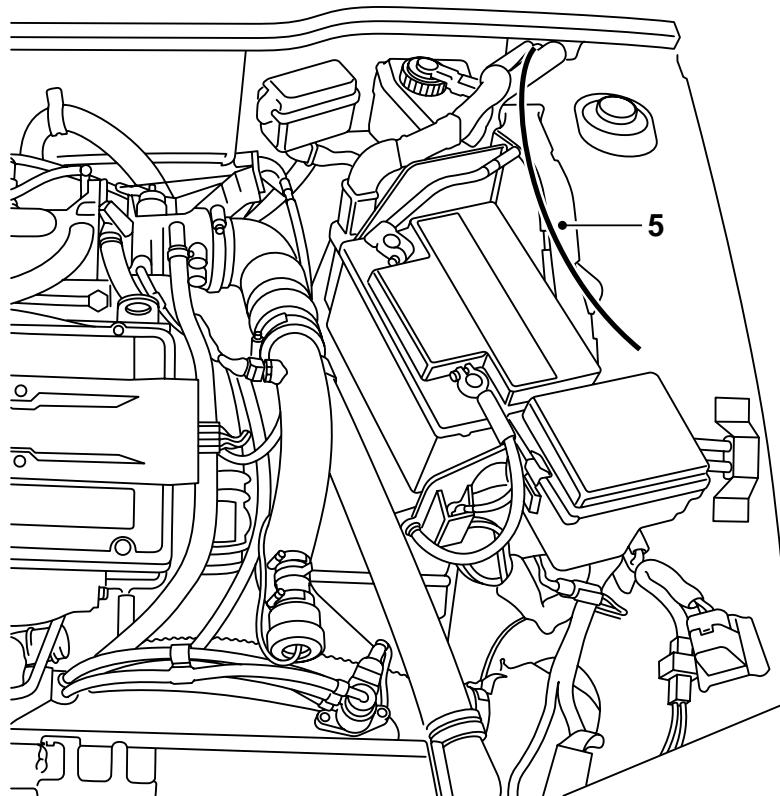
- 1 Disconnect the negative battery terminal.
- 2 Remove the screw to the large fuse box in the engine bay and lift up the fuse box (the stay may require removal).
- 3 Cut through one of the small rubber grommets in the bulkhead behind the fuse box.
- 4 **LHD:** Remove the cover, knee shield and air duct beneath the steering wheel.  
**RHD:** Remove the glove compartment.
- 5 Remove the lower section of B-pillar trim and the sill scuff plates on the left-hand side.
- 6 **3D:** Remove the left-hand side trim on the rear seat.
- 7 Run the lead into the cabin with the help of a length of steel wire.



- 8 Run the wiring harness along the car's wiring harness towards the left-hand rear lamp cluster.
- 9 Connect the cable to the connector included in the kit.
- 10 Use the GREY (7-pin) or RED (13-pin) lead with the 2-pin connector fitted from the kit for a 7-pin or 13-pin trailer connector respectively.
- 11 Connect the other end of the lead to the kit's fuse holder in the engine bay.



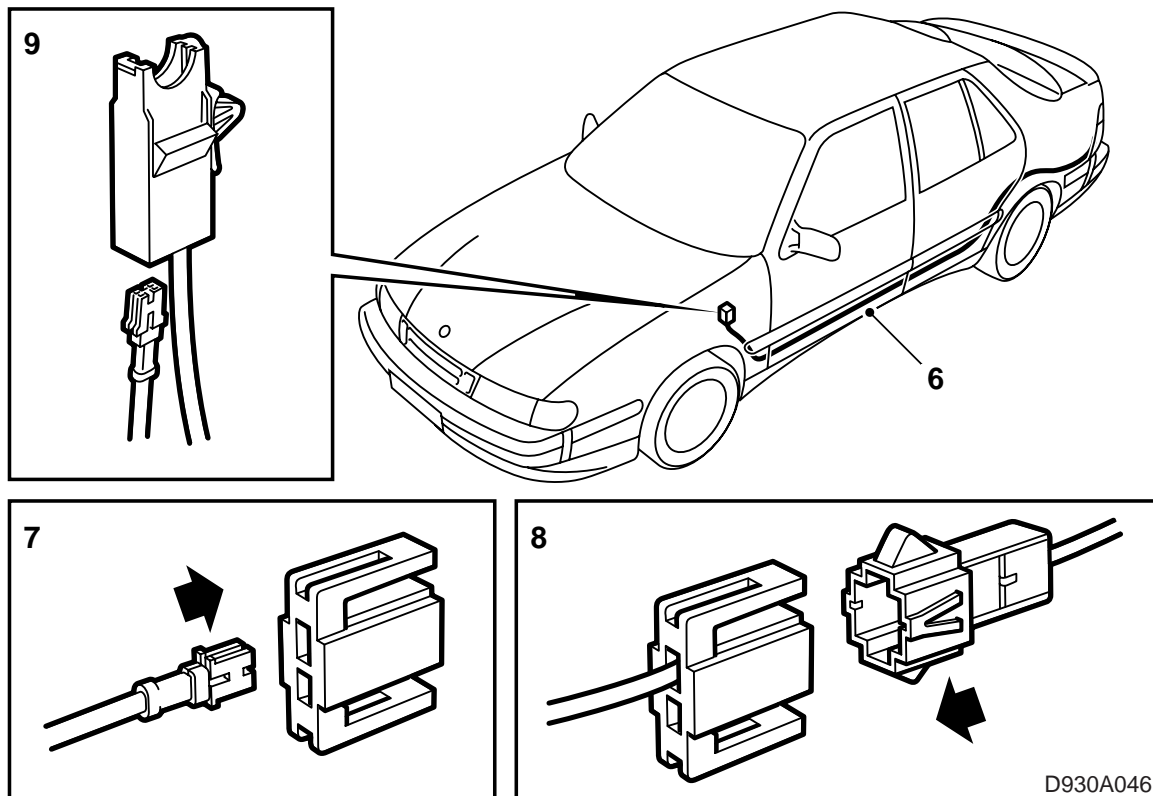
- 12 Run the wiring harness under the expansion tank and down to the battery.
- 13 The red cable from the fuse holder is connected to the positive terminal on the Maxi fuse board.
- 14 Drill an 8 mm hole in a suitable position close to the Maxi fuse board for mounting the kit's fuse holder. Apply anti-rust agent in the hole.
- 15 Fit the fuse and press in place the fuse holder.
- 16 Check the function and refit all removed components.



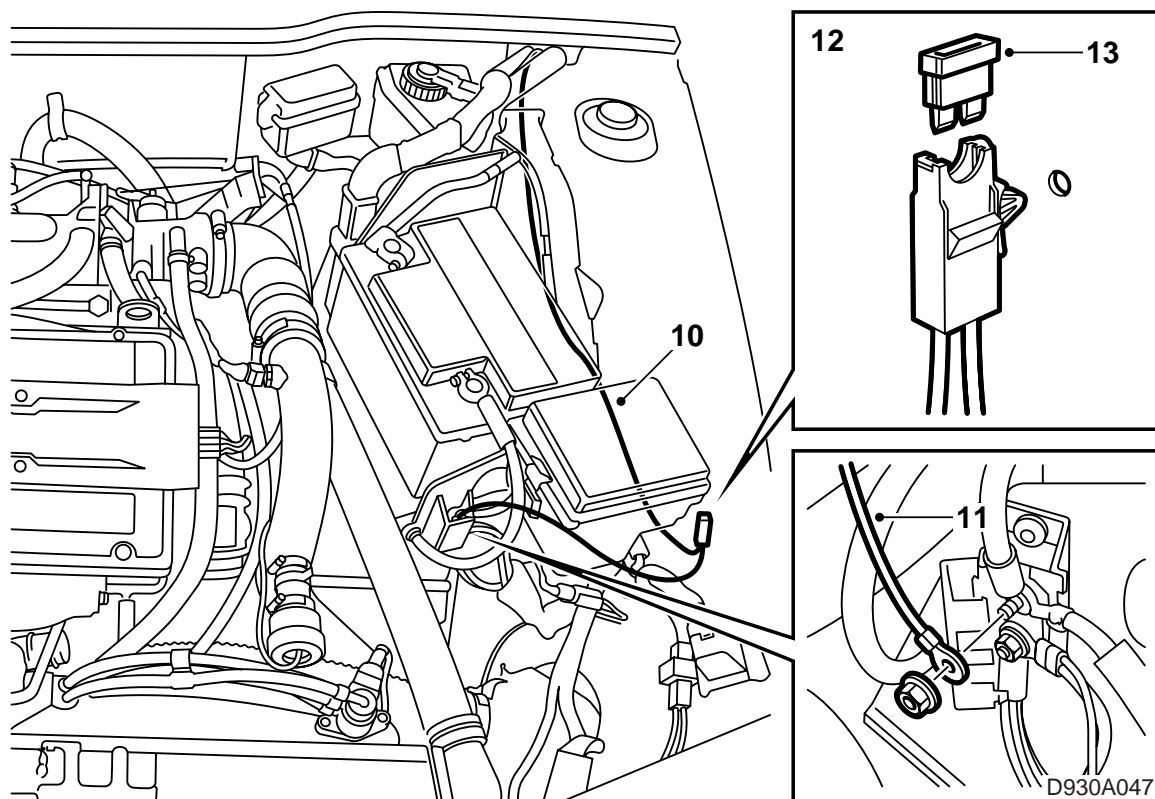
D930A045

**9000 M85-**

- 1 Disconnect the negative battery terminal.
- 2 **LHD:** Remove the cover under the steering wheel.  
**RHD:** Remove the glove compartment.
- 3 Remove the lower section of B-pillar trim and the sill scuff plates on the left-hand side.
- 4 **CD:** Remove the backrest and tip forward the seat cushion.
- 5 Run the lead into the cabin with the help of a length of steel wire by the brake cylinder.

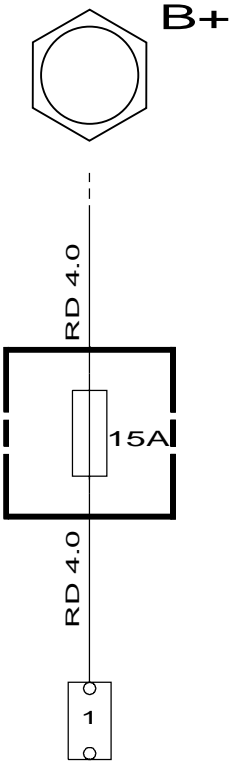


- 6 Run the wiring harness along the car's wiring harness towards the left-hand rear lamp cluster.
- 7 Connect the cable to the connector included in the kit.
- 8 Use the GREY (7-pin) or RED (13-pin) lead with the 2-pin connector fitted from the kit for a 7-pin or 13-pin trailer connector respectively.
- 9 Connect the other end of the lead to the kit's fuse holder in the engine bay.



- 10 Lay the wiring harness in the cable channel behind the battery and down to the distribution block on the battery tray.
- 11 The red cable is connected to the distribution block.
- 12 Drill an 8 mm hole in a suitable position close to the Maxi fuse board for mounting the kit's fuse holder. Apply anti-rust agent in the hole.
- 13 Fit the fuse and press in place the fuse holder.
- 14 Check the function and refit all removed components.

Wiring diagram, positive supply



D930A048