

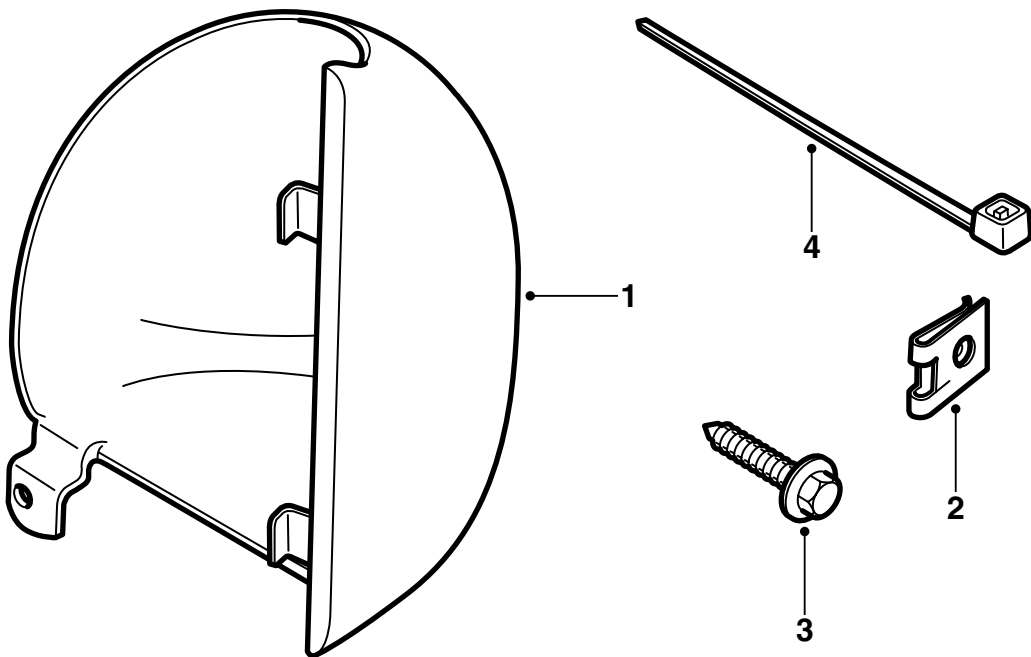


**MONTERINGSANVISNING · INSTALLATION INSTRUCTIONS
MONTAGEANLEITUNG · INSTRUCTIONS DE MONTAGE**

Saab 9-5

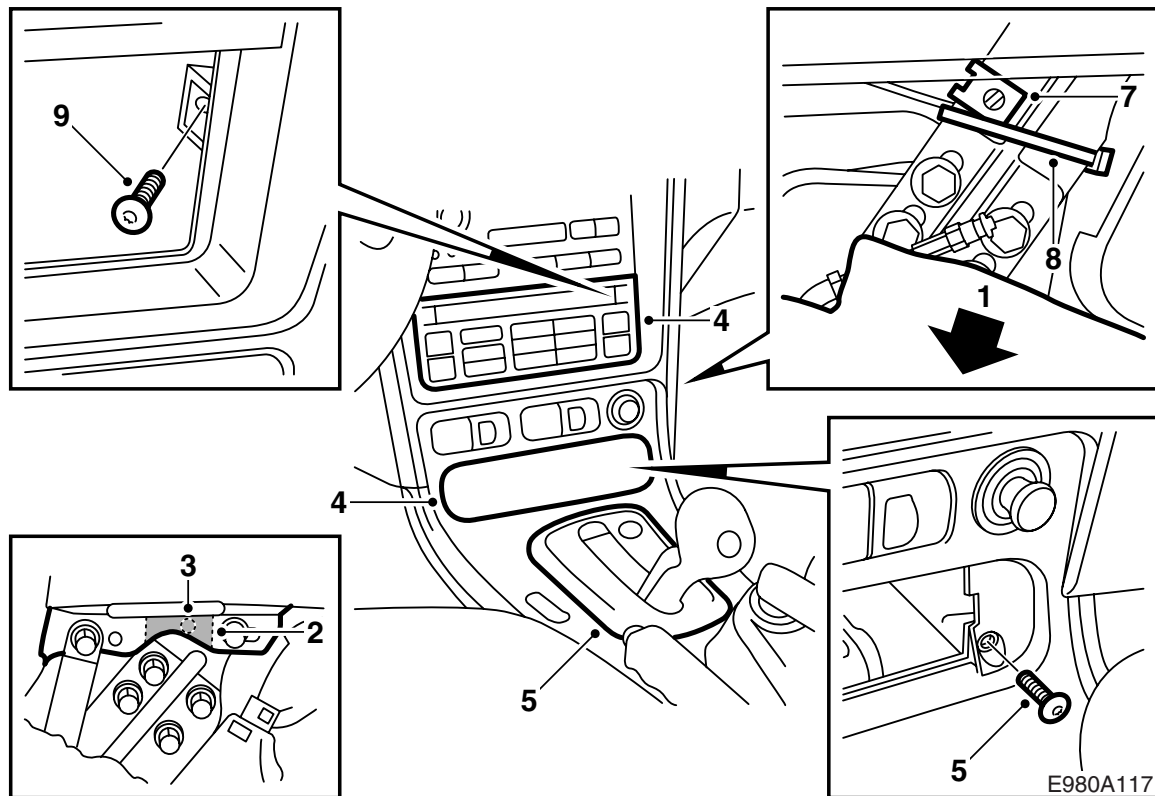
Telephone bracket

Accessories Part No.	Group	Date	Instruction Part No.	Replaces
400 106 415 400 106 423 32 025 575 32 025 576	9:39-1	Feb 05	48 08 101	48 08 101 Aug 98

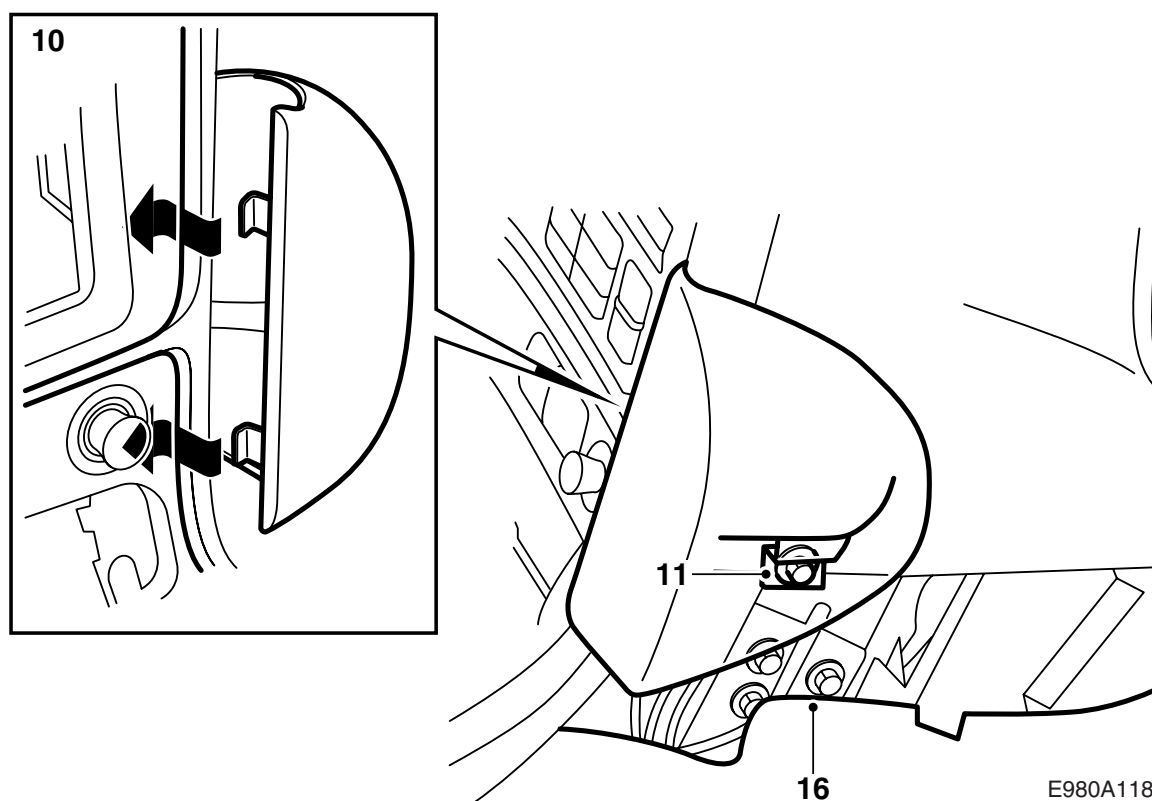


E980A116

- 1 Telephone bracket
- 2 Clips
- 3 Screw
- 4 Cable tie



- 1 Fold down the carpet.
- 2 Remove the chafing guard and cut off a piece of the panel shell using cutting pliers, see illustration.
- 3 Press out the holder for the cable tie for the dashboard's wiring harness.
- 4 Remove the climate control unit and unplug the connector. Remove the storage compartment or ashtray.
- 5 Unscrew the screws from the gear lever surround. Automatic transmission: remove the frame. Manual transmission: lift up the rubber gaiter.
- 6 Lift up the rear edge of the gear lever surround.
- 7 Fit the clip over the hole.
- 8 Fit a cable tie around the wiring harness and the structural member.
- 9 Unscrew the two screws behind the climate control unit.



- 10 Raise the panel slightly and insert the clips on the telephone bracket behind the panel. Align the bracket.
- 11 Press the telephone bracket forward slightly and tighten the screw.
- 12 Tighten the screws behind the climate control unit.
- 13 Fit and screw in the gear lever surround. Automatic transmission: fit the frame. Manual transmission: fit the rubber gaiter.
- 14 Connect and fit the climate control unit, the storage compartment or ashtray.
- 15 Align the carpet and cut away a tab equivalent to the attachment lug on the telephone bracket.
- 16 Fold the carpet back into place.

Note

Before fitting the telephone, check that the cup holder does not catch the telephone bracket, when in extended position.