



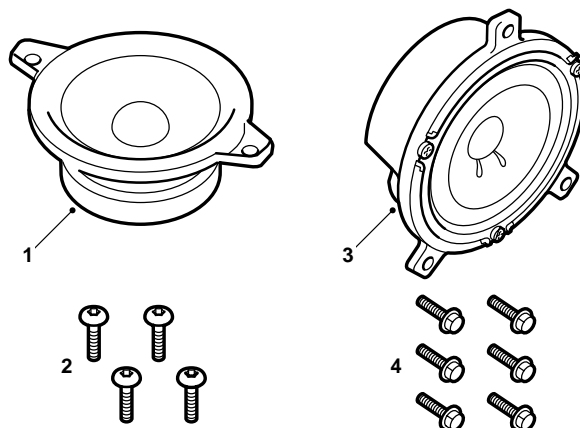
**SAAB**

**MONTERINGSANVISNING · INSTALLATION INSTRUCTIONS  
MONTAGEANLEITUNG · INSTALLATIONS DE MONTAGE**

## Saab 9-5

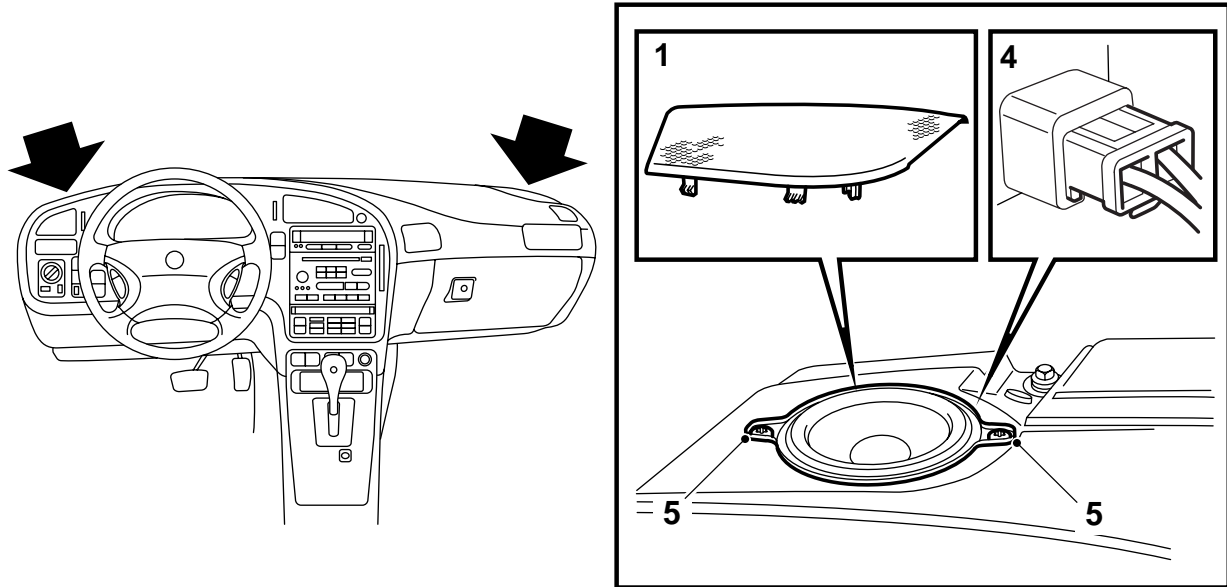
Loudspeakers, dashboard/rear doors

Accessories Part No.	Group	Date	Instruction Part No.	Replaces
400 106 753 400 106 746	9:36-3	Feb 99	47 12 279	47 12 279 Nov 96



E930A104

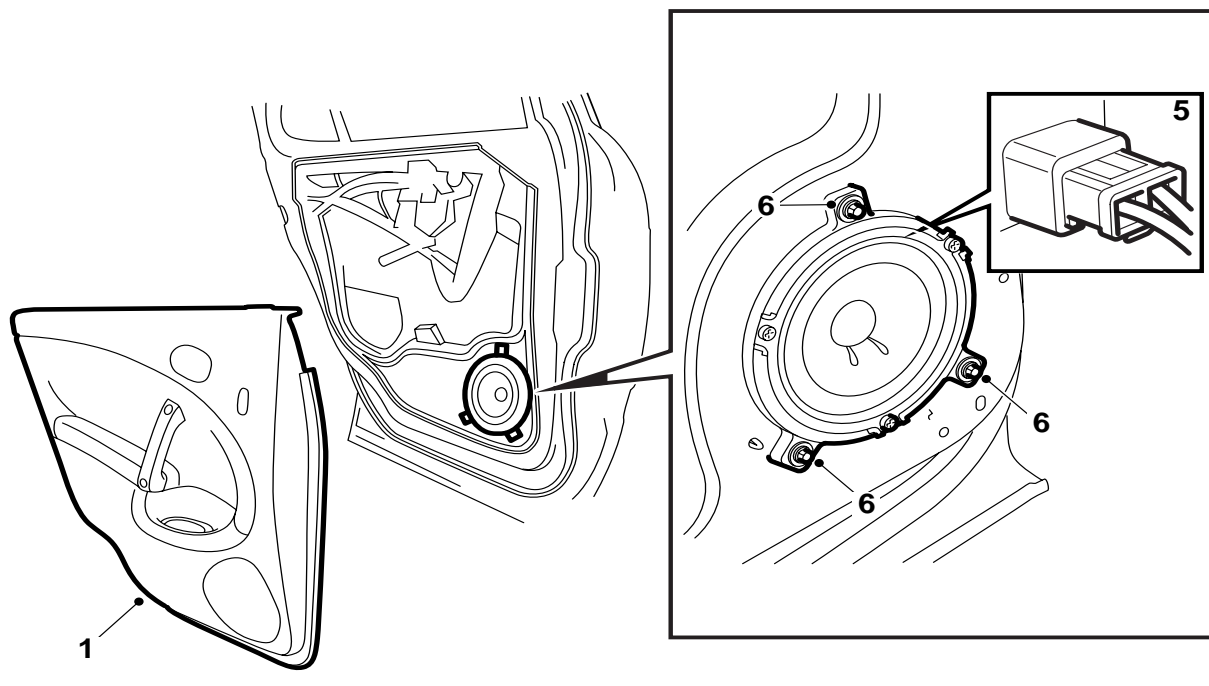
- 1 Loudspeakers, dashboard (2).
- 2 Screw, dashboard (4).
- 3 Loudspeaker, rear door (2).
- 4 Screw, rear door (6).



E367A005

### Loudspeakers, dashboard

- 1 Remove the loudspeaker grille.
- 2 Locate the loudspeaker connector.
- 3 Snip the cable tie securing the wiring.
- 4 Plug the connector into the loudspeaker.
- 5 Fit the loudspeaker in place and secure it with two screws.
- 6 Fit the other loudspeaker, following the same procedure.
- 7 Turn on the radio and make sure both loudspeakers are working.
- 8 Snap both loudspeaker grilles back into place.



E367A007

### Loudspeakers, rear doors

- 1 Detach and remove the trim on the rear doors.
- 2 Cut a hole in the door trim for the loudspeaker as marked on the back of the trim.
- 3 Locate the loudspeaker connector.
- 4 Snip the cable tie securing the wiring.
- 5 Plug the connector into the loudspeaker.
- 6 Fit the loudspeaker in place and secure it with three bolts.
- 7 Fit the loudspeaker in the other rear door, following the same procedure.
- 8 Turn on the radio and make sure both loudspeakers are working.
- 9 Refit the door trim.