



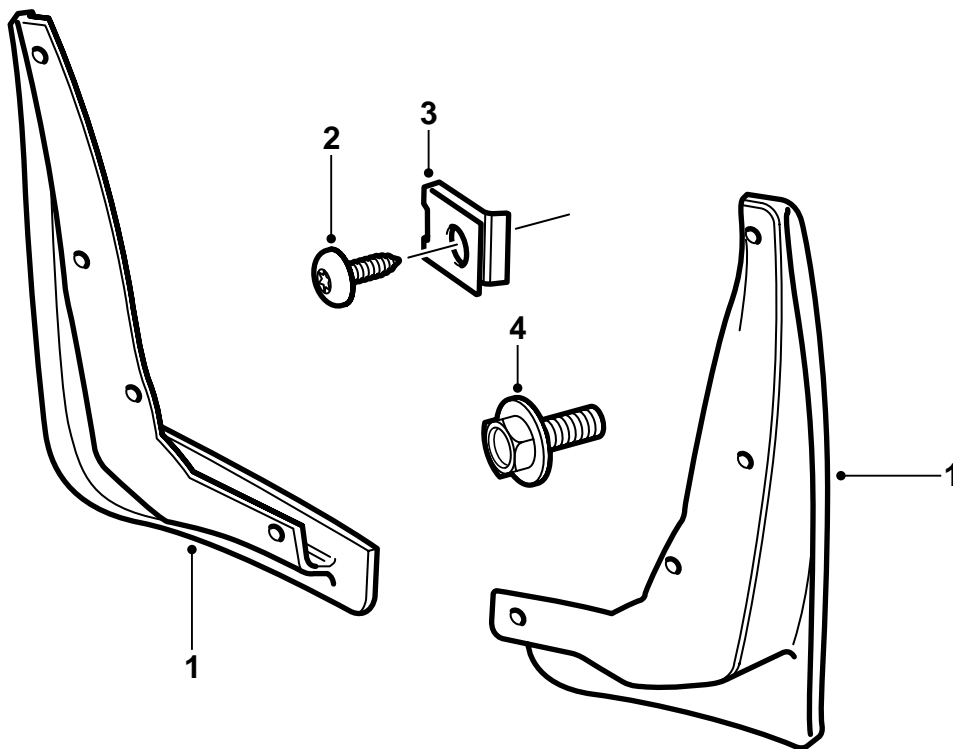
**SAAB**

**MONTERINGSANVISNING · INSTALLATION INSTRUCTIONS  
MONTAGEANLEITUNG · INSTALLATIONS DE MONTAGE**

## Saab 9-5

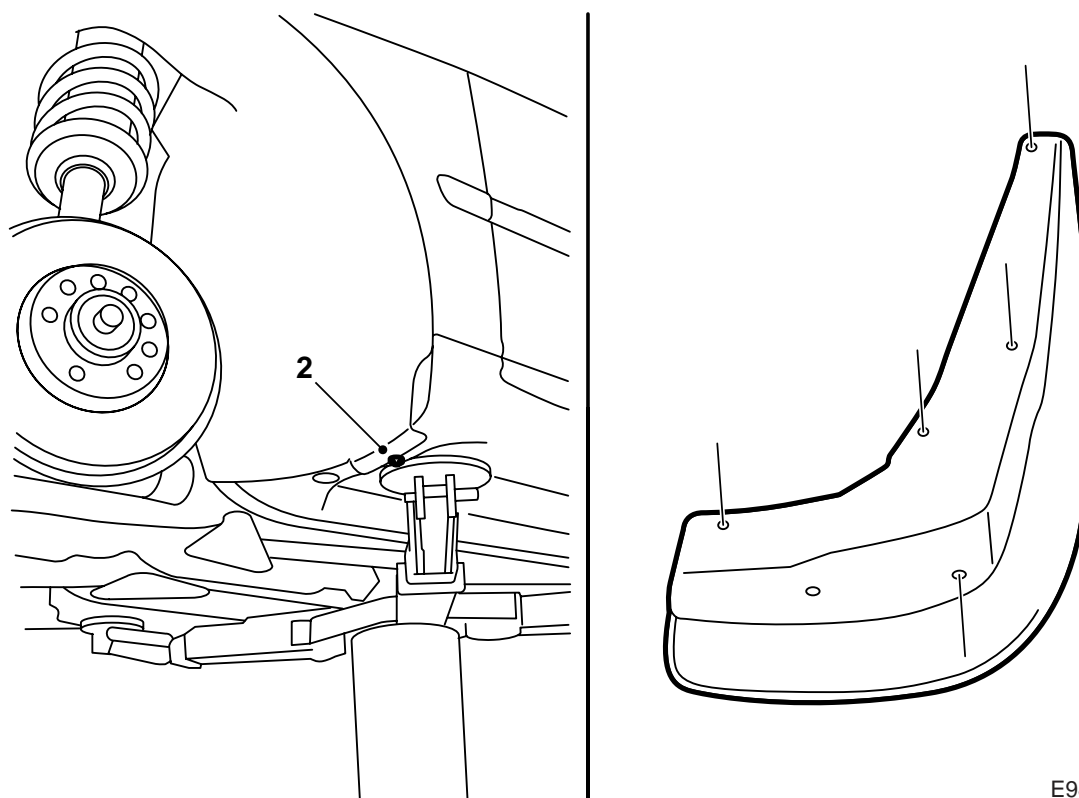
Mudflap, front

Accessories Part No.	Group	Date	Instruction Part No.	Replaces
400 107 967	8:45-13	Jun 98	48 33 075	48 33 075 Dec 97



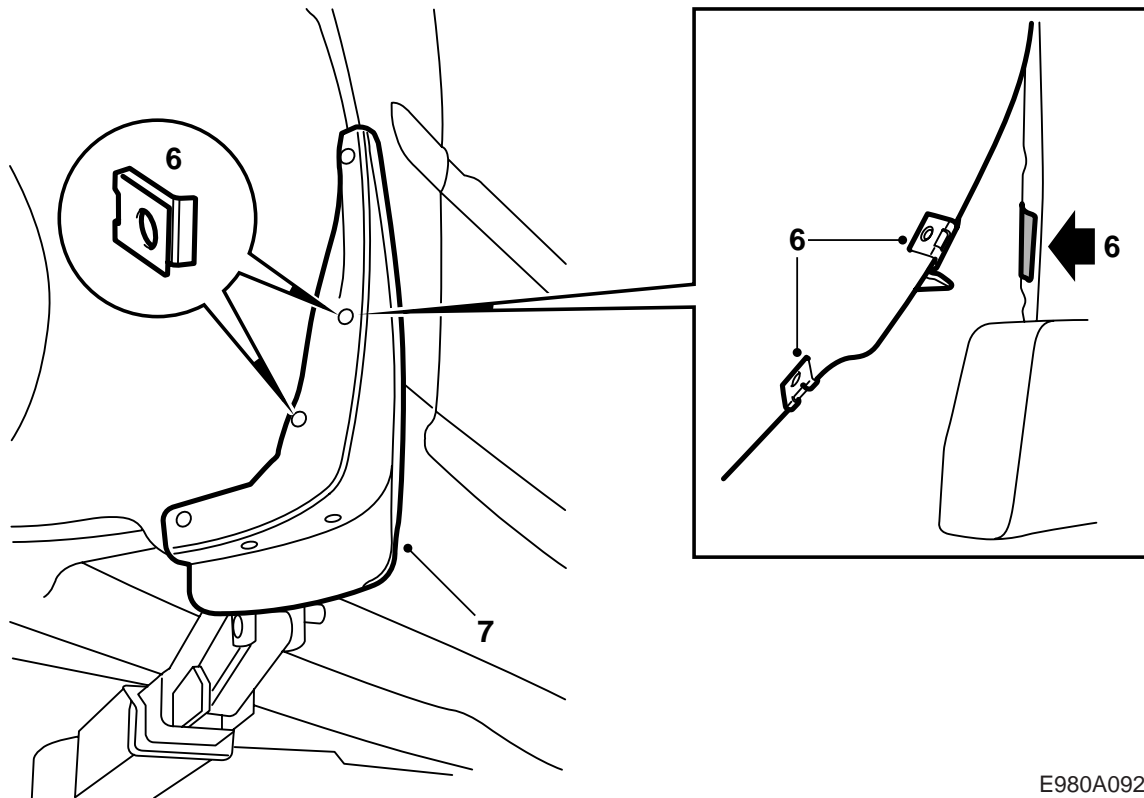
E980A090

- 1 Mudflap, front
- 2 Screw (10 pcs. )
- 3 Clips (4 pcs.)
- 4 Screw (2 pcs.)



E980A091

- 1 Turn the wheels full lock.
- 2 Remove the screws securing the bottom of the wheel arch liner to the moulding-rocker panel (sill tread plate) and discard the screws.
- 3 Position the mudflap against the fender (wing). Press it inwards and upwards.
- 4 Mark the holes with an awl or similar implement.
- 5 Drill 5 holes with a 3.5 mm bit.



E980A092

- 6 Affix a piece of sturdy tape on the fender (wing) level with the other hole, see illustration.  
Fit 2 clips over the middle hole.
- 7 Screw on the mudflap. The hexagon-head bolt in the kit is to replace the screw previously fitted to the bottom of the moulding-rocker panel (sill-tread plate).