

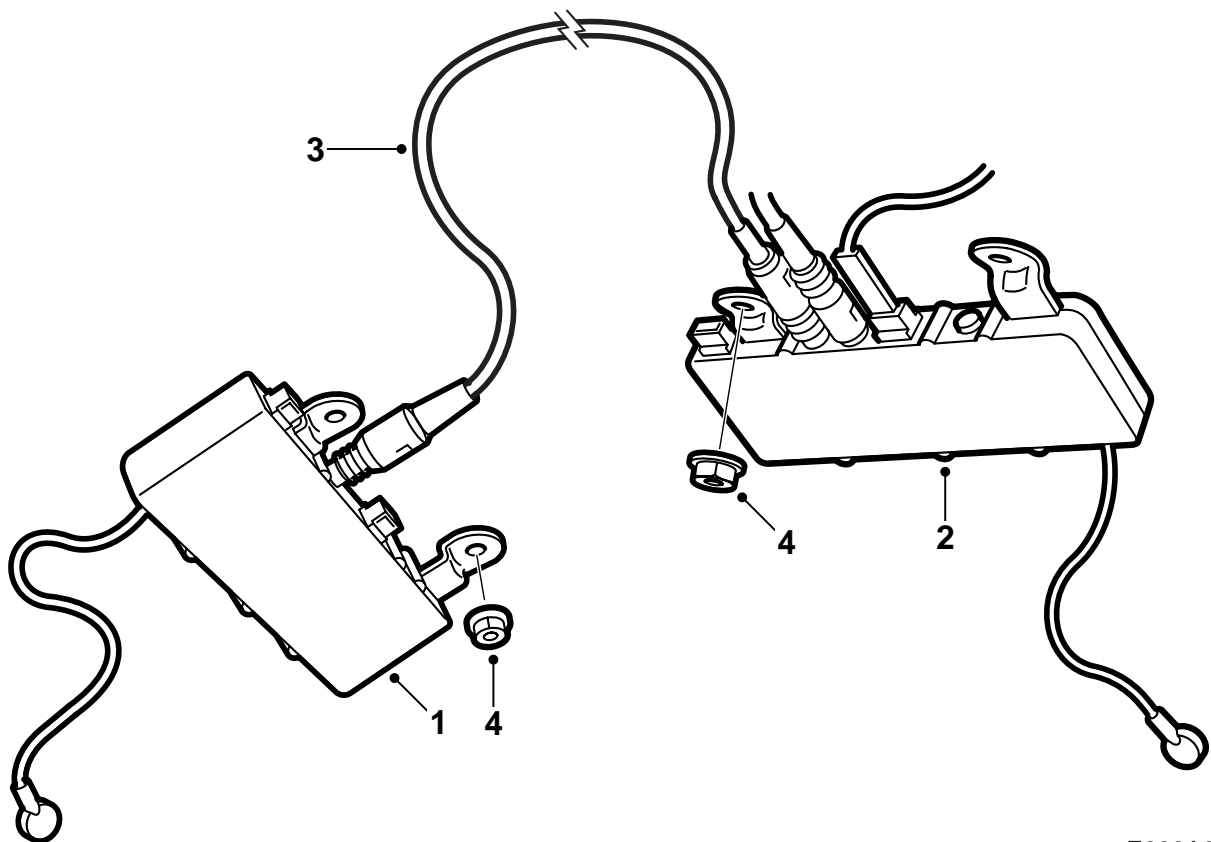


**MONTERINGSANVISNING · INSTALLATION INSTRUCTIONS  
MONTAGEANLEITUNG · INSTRUCTIONS DE MONTAGE**

## Saab 9-5 5D

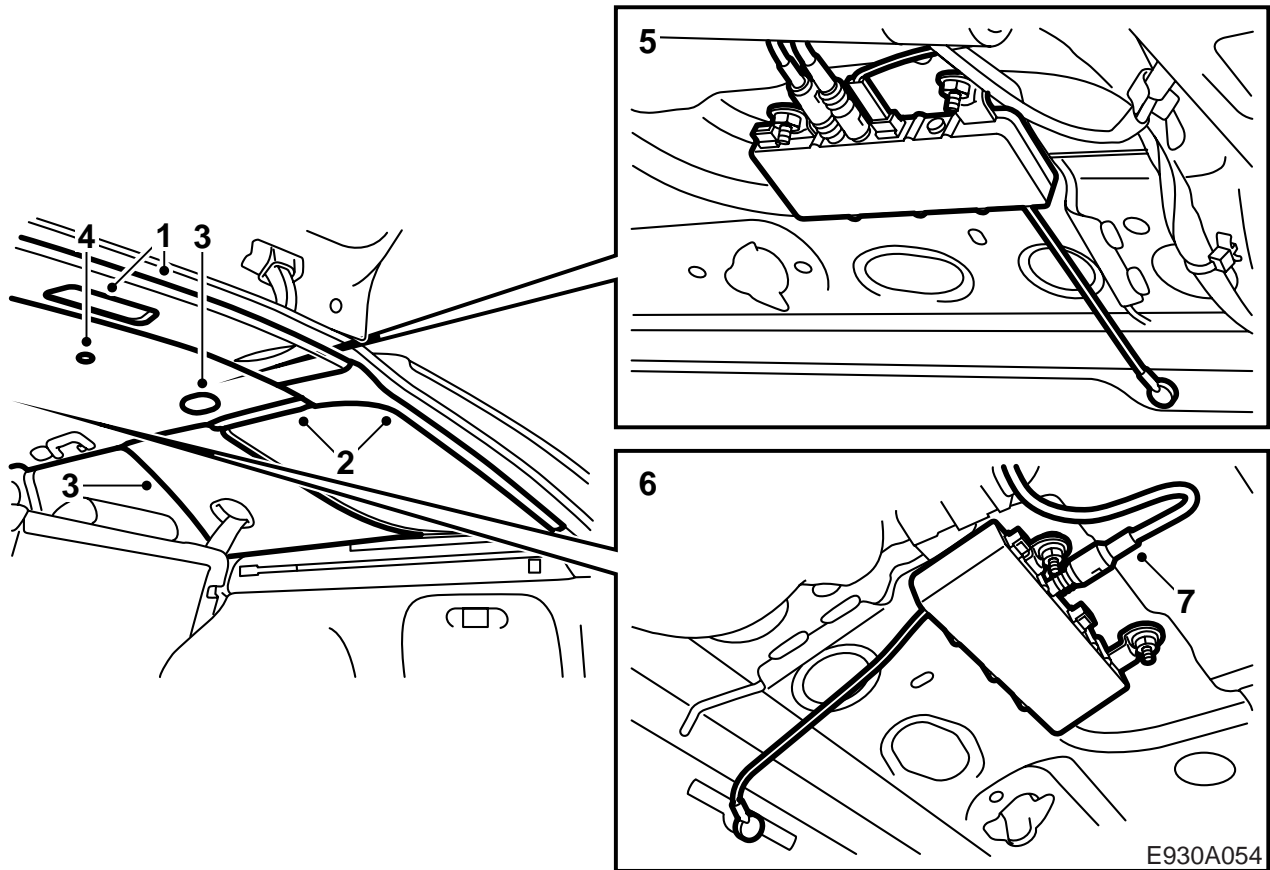
Aerial amplifier, 2 channel

Accessories Part No.	Group	Date	Instruction Part No.	Replaces
<b>32 025 888</b> <b>400 110 995</b>	<b>9:36-13</b>	<b>Sep 06</b>	<b>50 39 607</b>	<b>50 39 607 Jul 98</b>

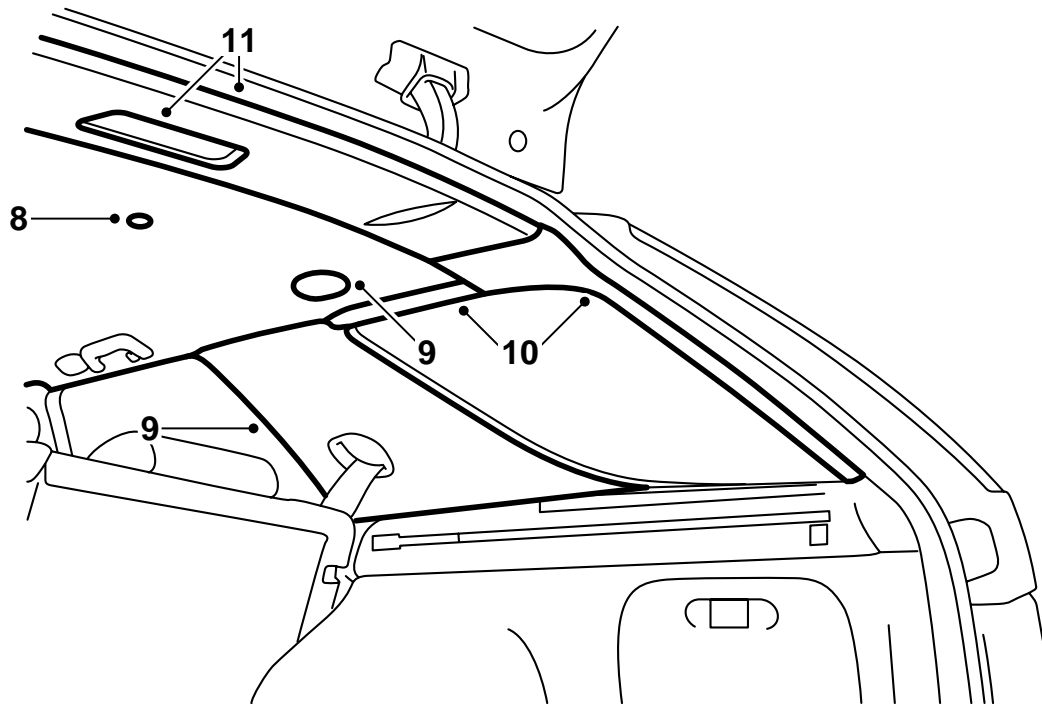


E930A053

- 1 Aerial amplifier, left-hand
- 2 Aerial amplifier, right-hand
- 3 Aerial cable
- 4 Nut (4)



- 1 Detach the rear roof covering and unplug the connectors for the lighting.
- 2 Detach the D pillar trim and roof covering above the rear side windows.
- 3 Remove the attachments in the roof covering above the rear side windows and detach the top of the C pillar trim on both sides.
- 4 Remove the two clips in the roof and carefully bend the headlining downwards.
- 5 Plug the cables, including the supplied aerial cable, into the aerial amplifier marked part No. 47 11 693 and mount it above the right-hand rear side window.
- 6 Plug the cables, including the supplied aerial cable, into the aerial amplifier marked part No. 47 11 685 and mount it above the left-hand rear side window.
- 7 Secure the aerial cable to the roof using the attendant clips.



E930A055

- 8 Carefully offer up the headlining and fit the two clips in the roof.
- 9 Refit the C pillar trim and attachments above the rear side windows.
- 10 Fit the roof covering above the rear side windows and refit the D pillar trim.
- 11 Plug in the lighting connectors and refit the rear roof covering.