



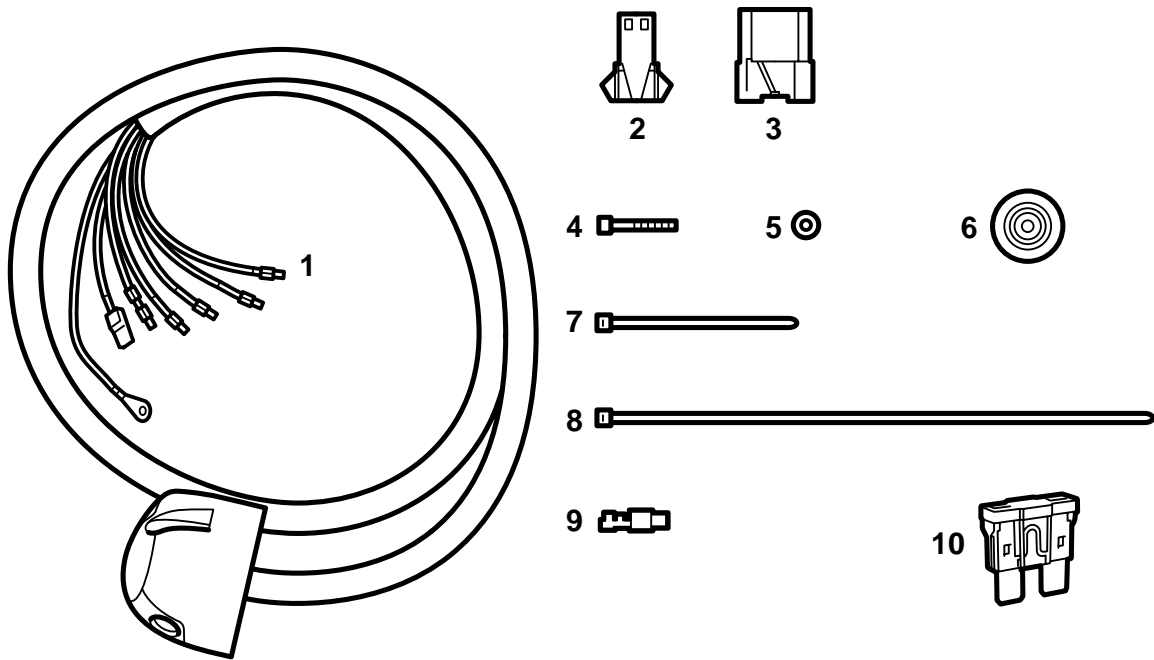
**SAAB**

**MONTERINGSANVISNING · INSTALLATION INSTRUCTIONS  
MONTAGEANLEITUNG · INSTALLATIONS DE MONTAGE**

**Saab 900 M94-, Saab 9000, Saab 9-3**

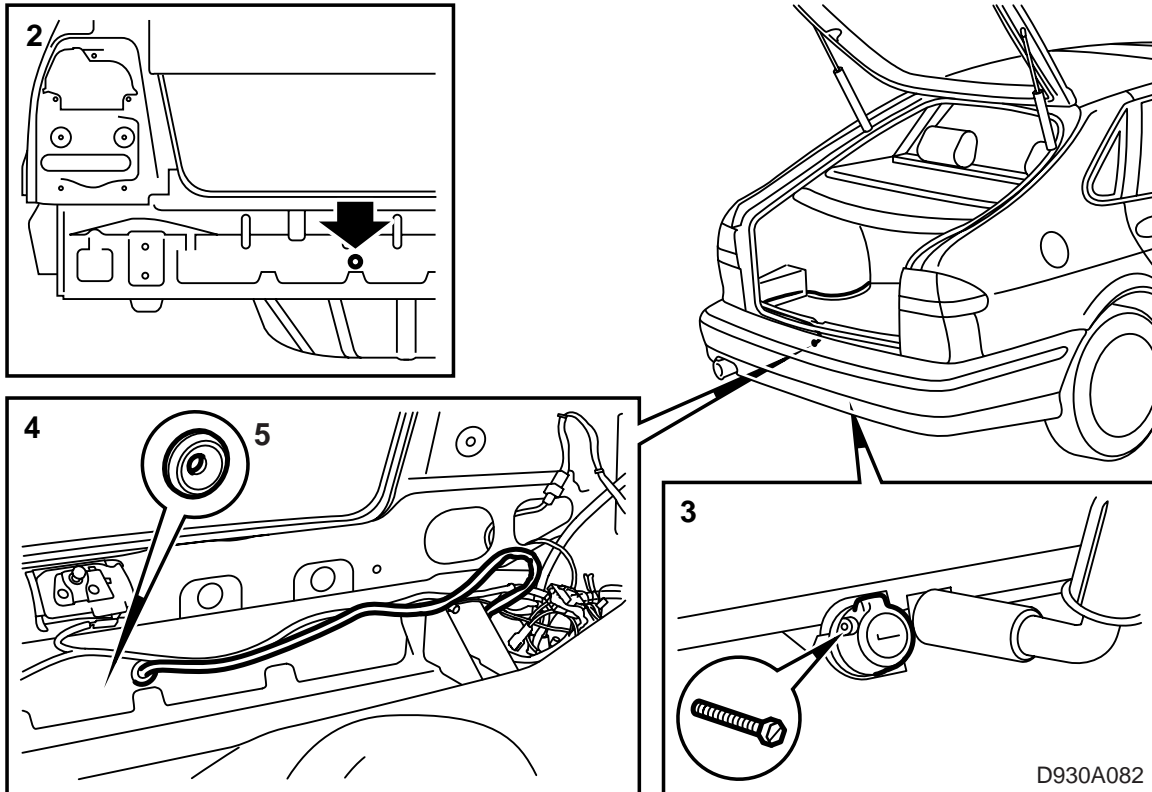
7-pin towbar connector

Accessories Part No.	Group	Date	Instruction Part No.	Replaces
400 112 074	3:71-15	Jul 99	86 79 219	75 03 80 Jul 93 51 06 703 Apr 99



D930A081

- 1 Towbar connector
- 2 2-pin connector
- 3 8-pin connector
- 4 Screw (3x)
- 5 Nut (3x)
- 6 Rubber grommet
- 7 Cable tie (2x)
- 8 Cable tie (3x)
- 9 Flat pin
- 10 Fuse 10A



### Saab 900 M94-, Saab 9-3

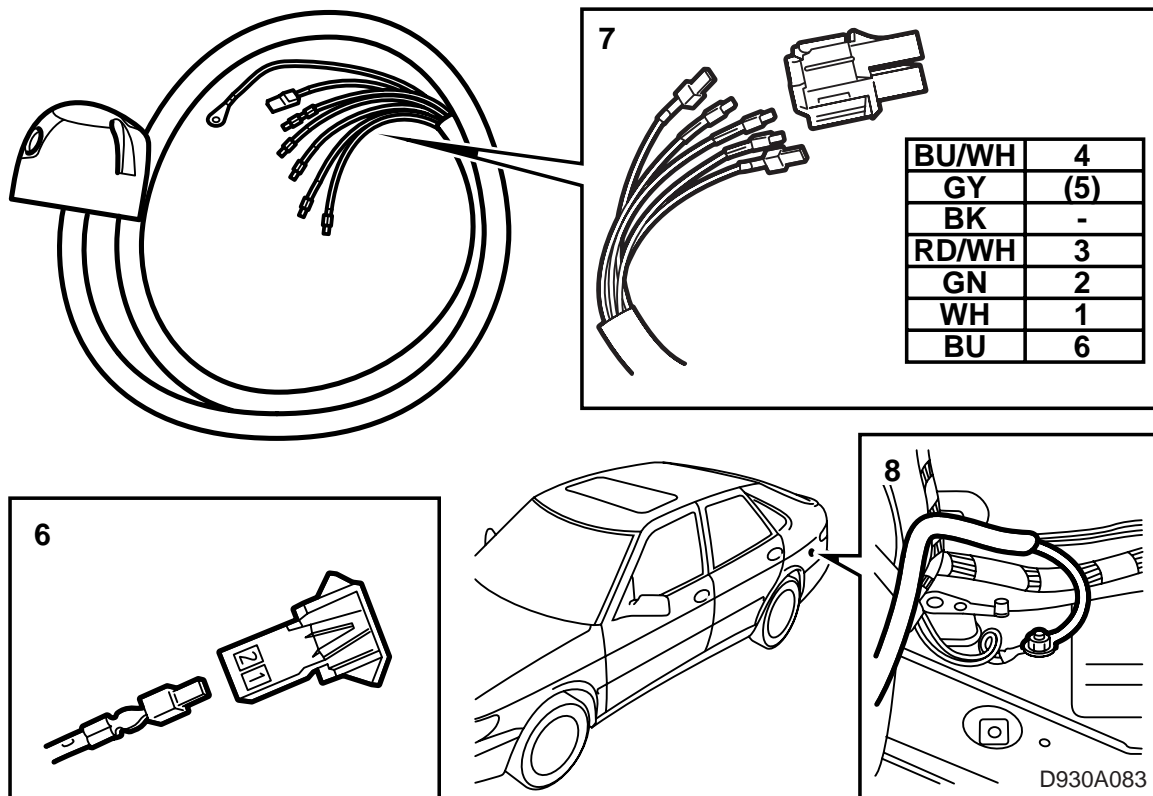
- 1 Bend aside the rear left side trim.
- 2 Drill a  $\varnothing$  25 mm hole with a hole saw as illustrated. Corrosion protect the hole.

**⚠ WARNING**

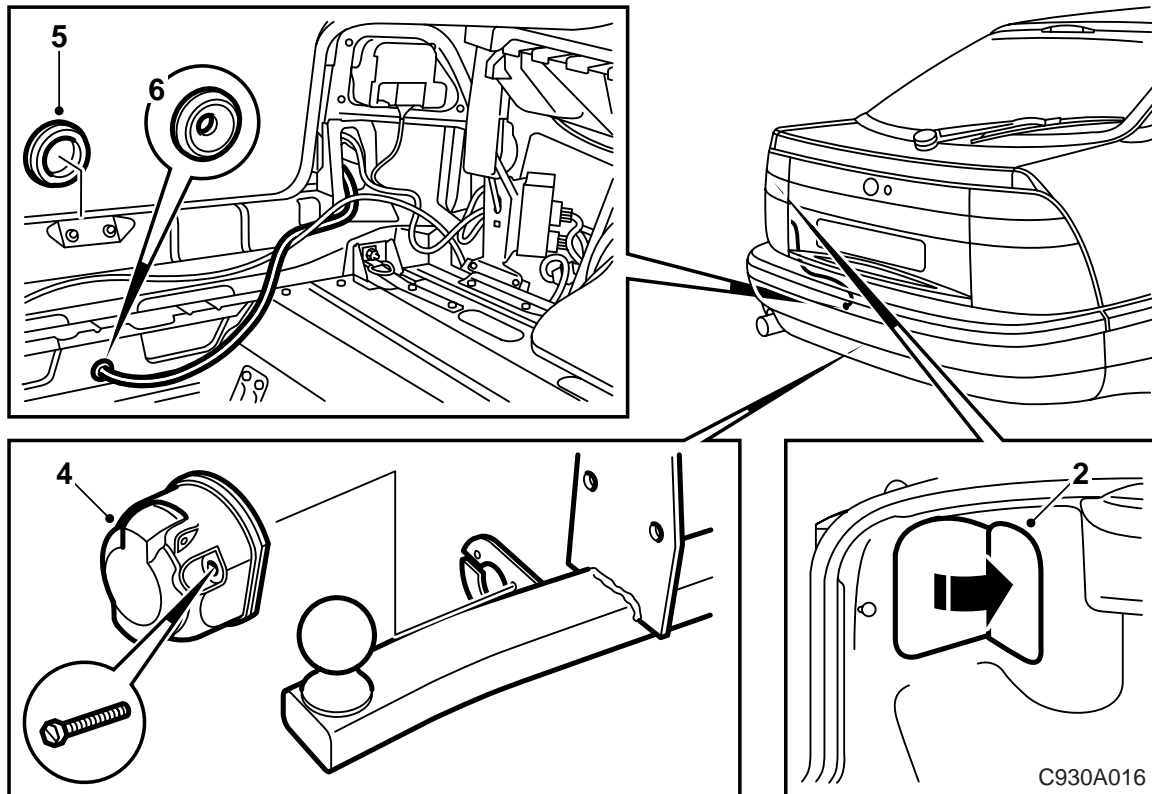
Take care with the wiring harness running along the rear plate.

Deburr the hole and remove loose cuttings and flakes of paint. Clean with Teroson Cleaner FL. Apply Standox 1K Füllprimer. Apply finishing paint. Apply Terotex HV 400 (part no. 30 15 930) inside cavities.

- 3 Screw the 7-pin connector to the holder on the towbar.
- 4 Insert the wiring harness into the luggage compartment harness
- 5 Fit the rubber grommet.

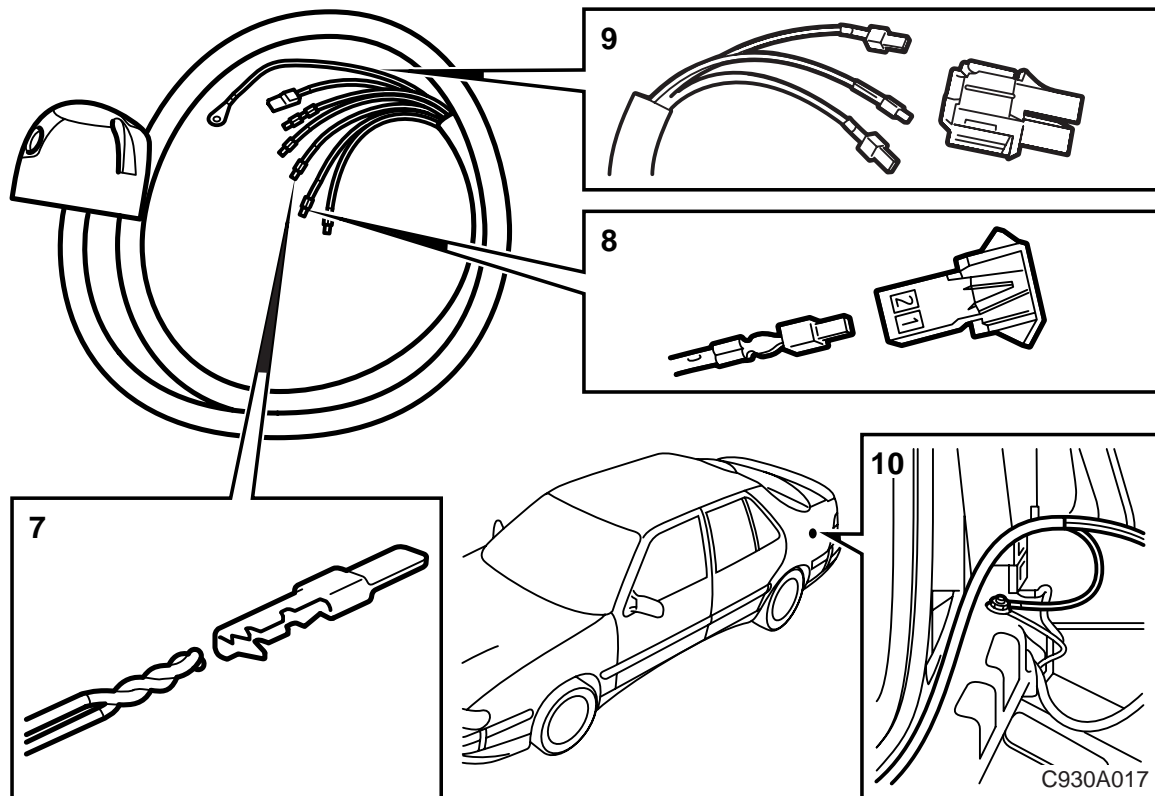


- 6 If the positive feed kit 400 101 226 or charging kit 400 101 234 is to be fitted, connect the thick grey cable to pin 1 and pin 2 alternatively on the enclosed connector (2-pin).  
Tape the connector in a suitable position if it is not to be used.
- 7 Connect the wiring harness to the 8-pin connector as illustrated.
- 8 Connect the black ground lead to the grounding point under the rear left lamp cluster.
- 9 Connect the 8-pin connector to the prepared harness or to the 8-pin connector in kit 400 112 090.
- 10 Secure the harness in a suitable position with cable ties.
- 11 **9-3:** Fit the fuse (10A) in the main fuse board in position B.
- 12 Check the function and refit all dismantled components.



### Saab 9000

- 1 Bend aside the rear left side trim.
- 2 Remove the protective cover over the rear left lamp cluster.
- 3 **5D**: Remove the rubber plug in the rear panel.
- 4 Screw the 7-pin connector to the holder on the towbar.
- 5 **5D**: Run the wiring harness into the luggage compartment.
- 4D, CS**: Run the wiring harness to the luggage compartment through the opening for the removable towing eye
- 6 Fit the rubber grommet.



7 -87: Cut off the flat pins on the green and blue cable. Strip and twist together the ends of the cables.

Fit a new flat pin.

Connect the flat pin to pin 2 in the 8-pin connector.

8 If positive feed kit 400 101 226 or charging kit 400 101 234 is to be fitted, connect the thick grey cable to pin 1 and pin 2 alternatively on the enclosed connector (2-pin).

9 Connect the wiring harness to the 8-pin connector as illustrated on page 6, step 7.

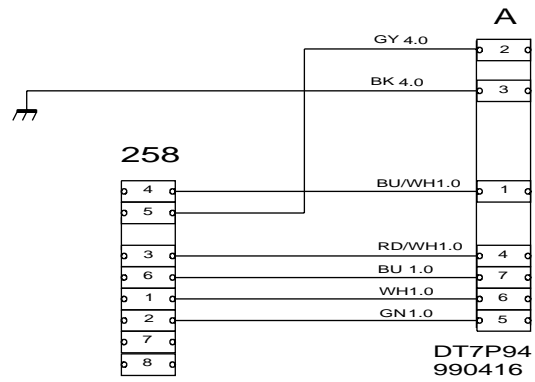
10 Connect the black ground lead to the grounding point under the rear left lamp cluster.

11 Connect the 8-pin connector to the car's prepared harness.

12 Secure the wiring harness in a suitable position with cable ties.

13 Check the function and refit all dismantled components.

## Wiring diagram 7-pin towbar connector

**258**

Connector in car

**A**

1	Direction indicator LH
2	Fog lights
3	Ground
4	Direction indicator RH
5	Parking light RH
6	Brake lights
7	Parking light LH