

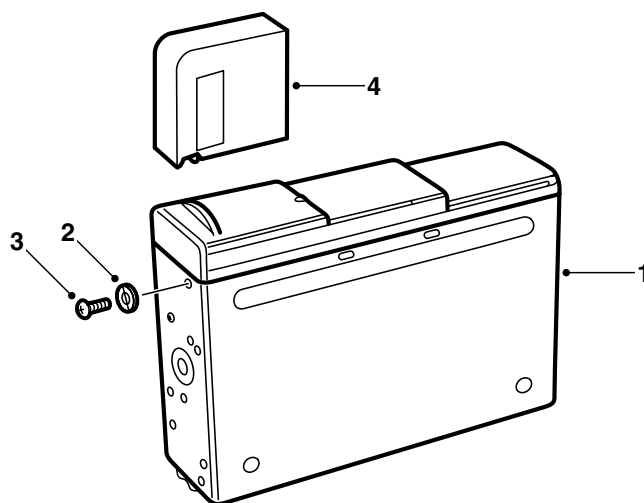


**MONTERINGSANVISNING · INSTALLATION INSTRUCTIONS  
MONTAGEANLEITUNG · INSTRUCTIONS DE MONTAGE**

## Saab 9-5 5D

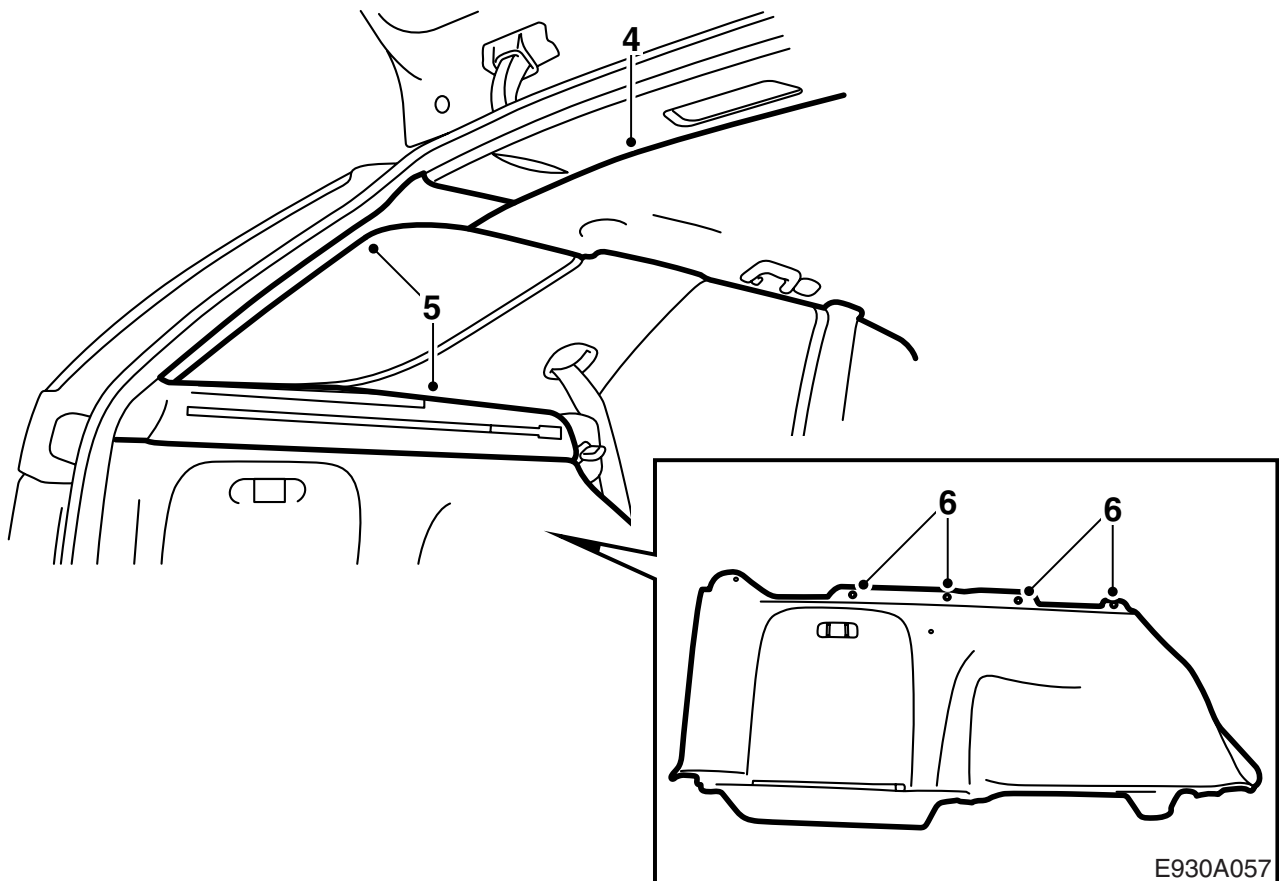
### CD changer

Accessories Part No.	Group	Date	Instruction Part No.	Replaces
400 112 124	9:36-15	Jun 04	50 39 490	50 39 490 Jul 98

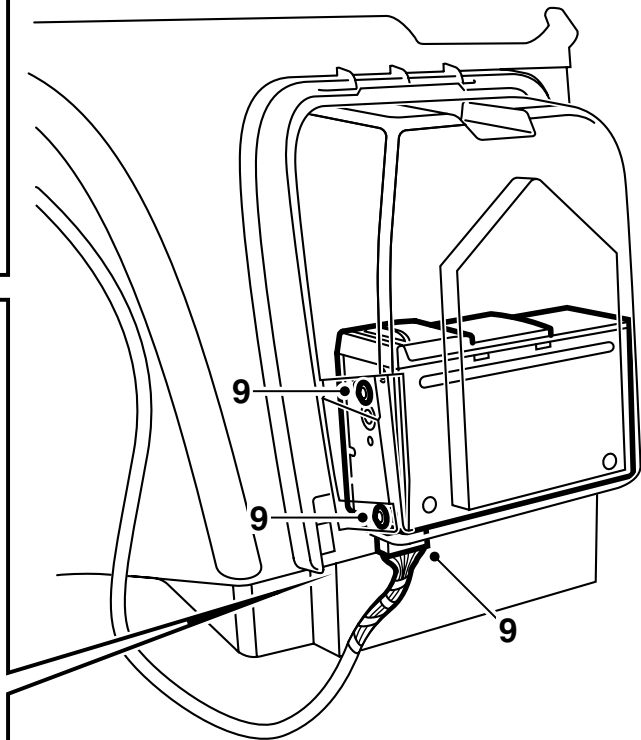
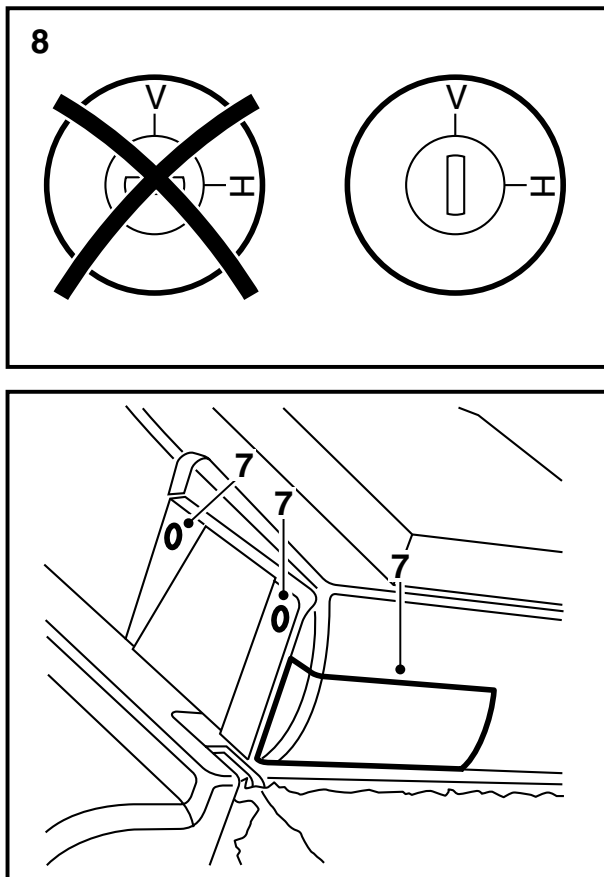


E930A056

- 1 CD changer (sold separately)
- 2 Washer (4x)
- 3 Screw (4x)
- 4 CD magazine



- 1 Tip the rear seat's left-hand backrest forward and remove the cover between the backrest and left-hand rear door.
- 2 Lift out the concealing panel.
- 3 Remove the left-hand storage compartment in the floor.
- 4 Detach the rear roof covering and unplug the connectors for the lighting.
- 5 Remove the left-hand D-pillar trim and the left-hand concealing panel support (3 screws).
- 6 Remove the four screws at the top of the left-hand side trim and lift out the trim.



E930A058

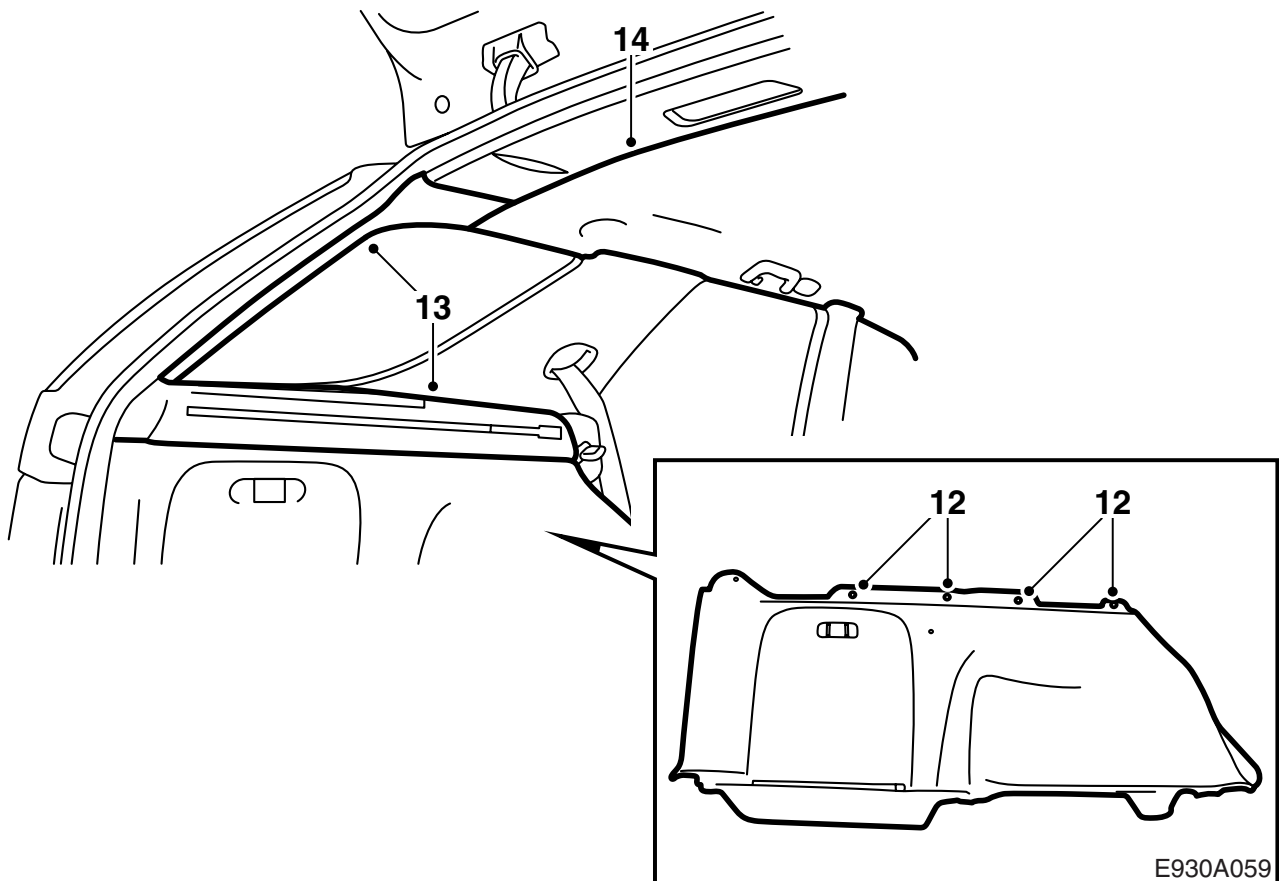
For operation of the CD changer, see the Owner's Manual.

- 7 Make a hole for the wiring in the side trim's storage compartment as marked on the rear of the trim. Also drill holes with a 4 mm drill bit for the CD changer's mounting screws as marked on the rear.
- 8 Undo and remove the 4 transport screws (2 coloured red on each short side) and place them in a small plastic bag which can be handed to the customer. Check that both mounting position screws (1 on each side) are in the vertical position (V).
- 9 Mount the CD changer in the side trim's storage compartment using the screws and washers supplied. Connect the CD changer.
- 10 Fit the CD magazine.
- 11 Connect the diagnostics tool, select Audio System and the "Programming" menu. "Marry" the CD changer to the car. This is a condition for proper operation of the CD changer.

### Important

If the CD changer is to be removed from the car and refitted in the same car, the diagnostics tool must be connected and the CD changer "divorced" from the car via Audio System and the "Programming" menu.

The CD changer must be divorced while connected to the car it was married to.



- 12 Refit the side trim and tighten the four screws at the top of the trim.
- 13 Refit the concealing panel support (3 screws) and D-pillar trim.
- 14 Press the roof covering back into place.
- 15 Fit the storage compartment in the floor.
- 16 Lift the concealing panel in place.
- 17 Fit the cover panel between the rear left door and the backrest and fold back the rear seat backrest.

**⚠ WARNING**

The CD changer is a Class 1 laser product.

- CD changer service and repairs should be carried out by qualified technicians only.
- If the casing of the CD changer is damaged, laser radiation may be emitted and entail a risk of injury.