

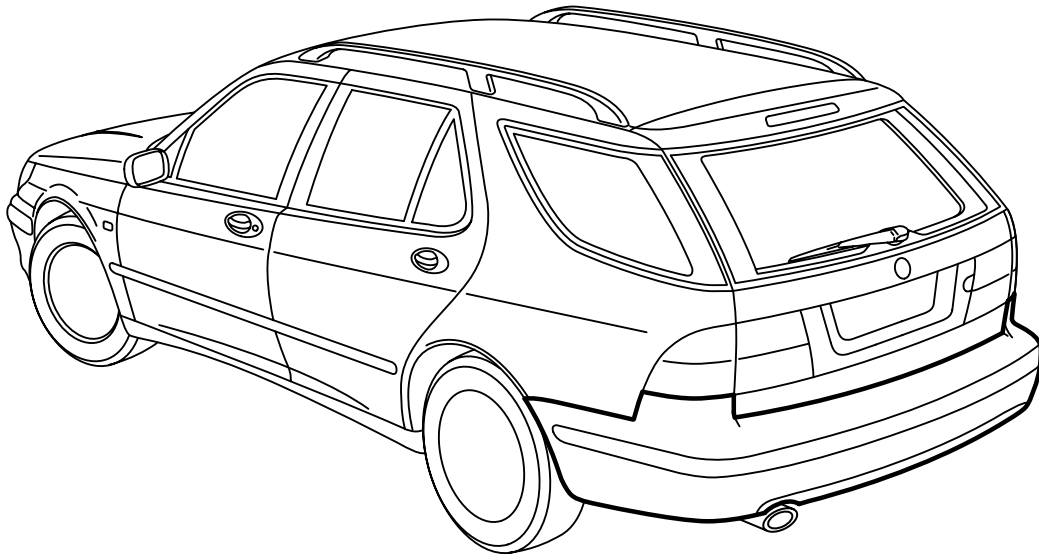


**MONTERINGSANVISNING · INSTALLATION INSTRUCTIONS
MONTAGEANLEITUNG · INSTRUCTIONS DE MONTAGE**

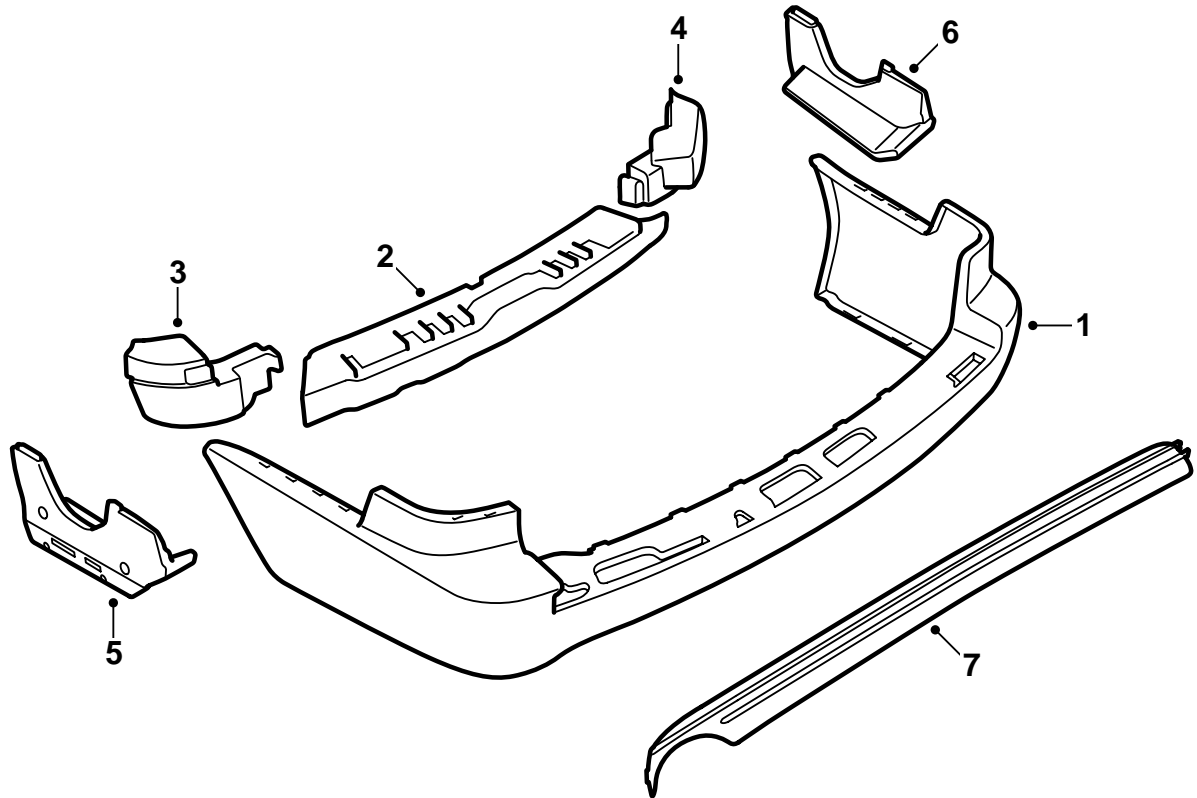
Saab 9-5 5D M02-

Rear bumper

Accessories Part No.	Group	Date	Instruction Part No.	Replaces
400 133 260	9:84-29	Aug 03	55 82 812	55 82 812 May 03

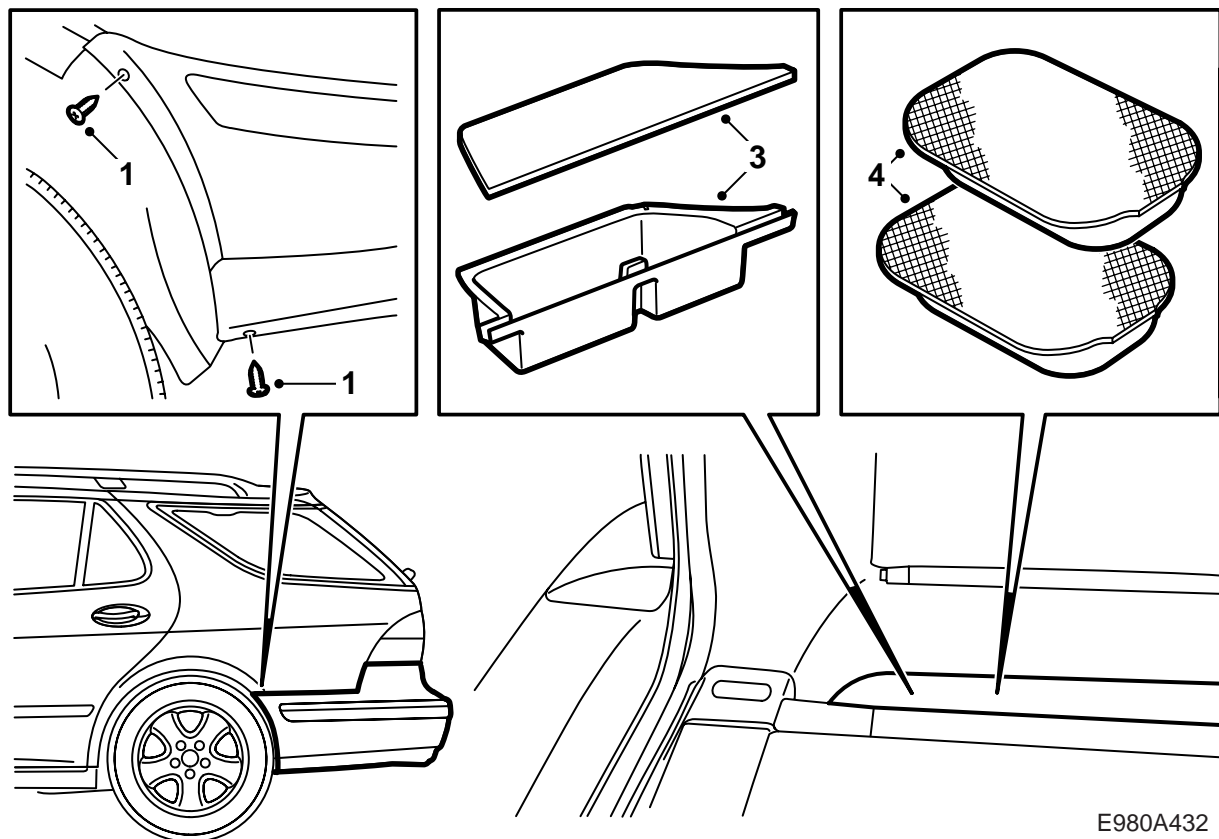


E980A430



E980A431

- 1 Bumper shell (ordered separately)
- 2 Cellular block, bumper member, centre
- 3 Cellular block, bumper member, L
- 4 Cellular block, bumper member, R
- 5 Cellular block, L
- 6 Cellular block, R
- 7 Grille decor strip



E980A432

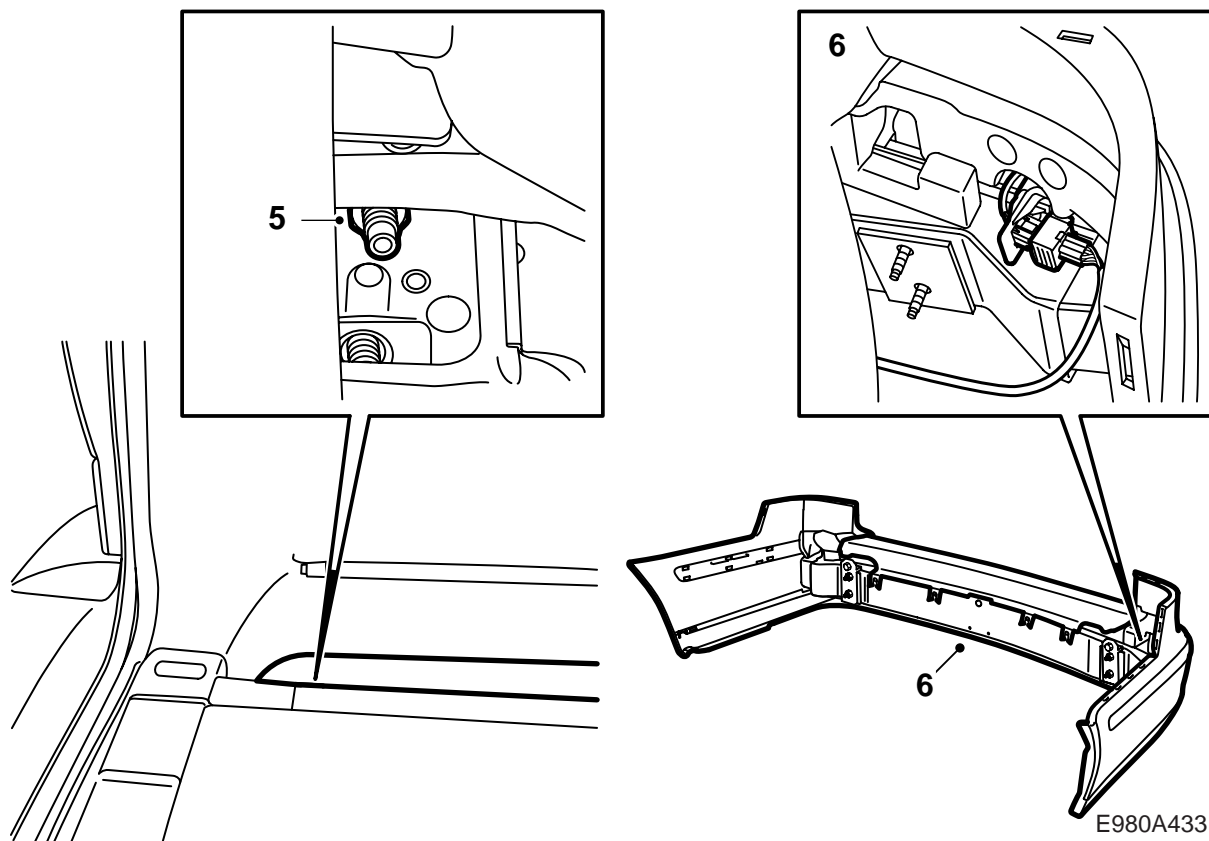
The bumper shell has been treated with grey primer in preparation for painting.

Paint the bumper shell in the colour of the body, see "Directions for painting preprimed PP/EPDM plastic" in these installation instructions.

- 1 Remove the screws in the wheel housing, 2 on each side.
- 2 Open the tailgate.
- 3 Remove the storage compartment cover and the storage compartment on both sides.
- 4 Remove the insulation pads.

Cars with towbar:

- Remove the upper section of the bumper shell.
- Remove the bolts and nuts that hold the reinforcements to the body.
- Remove the towbar mountings to the floor of the car.
- Remove the towbar's electrical connector from the towbar.



E980A433

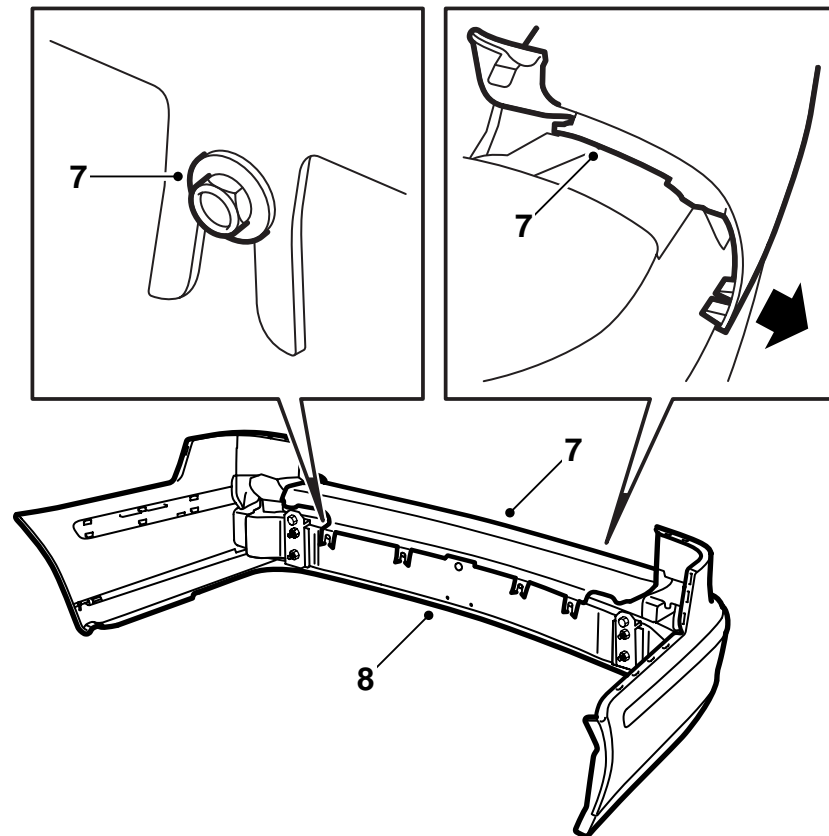
5 Remove the nuts that hold the bumper. The lower bolts only have nuts if the car is equipped with towbar.

6 Pull out the bumper from the wheel housing edges and the rear fender (wing). Lift the bumper out backwards.

SPA: Unplug the connectors.

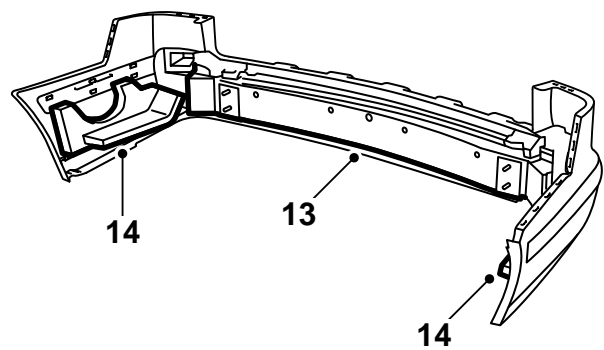
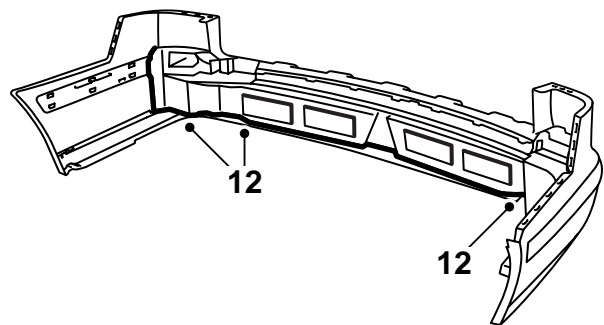
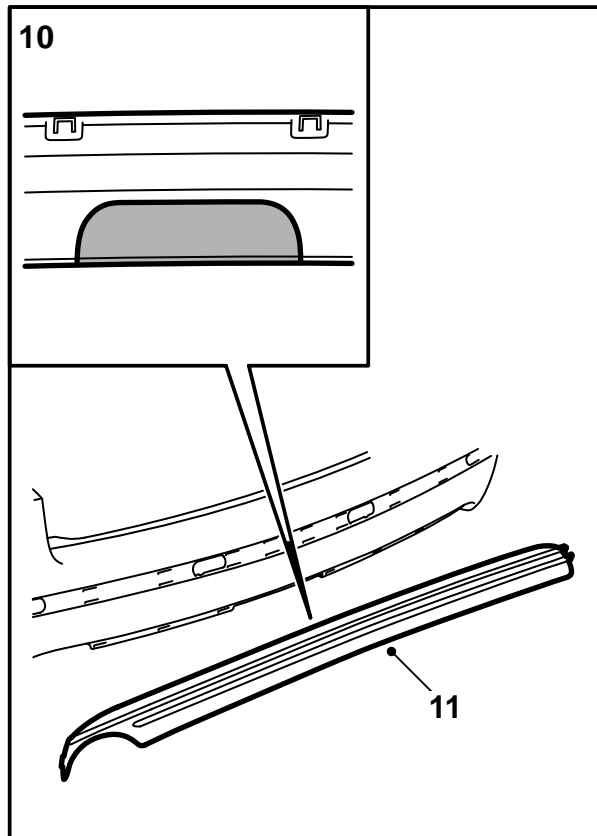
Important

Work carefully during removal so that paint damage is avoided.



E980A434

- 7 Remove the upper section of the bumper shell if not already done.
- 8 Remove the bumper rail.
- 9 **SPA:** Remove the cellular block from the bumper shell, the wiring harness and the holder for the connector.



E980A435

- 10 **Cars with towbar:** Using a universal knife with hook shaped blade, cut out the marked area for the towbar in the lower section of the bumper (a jig saw can also be used).

Important

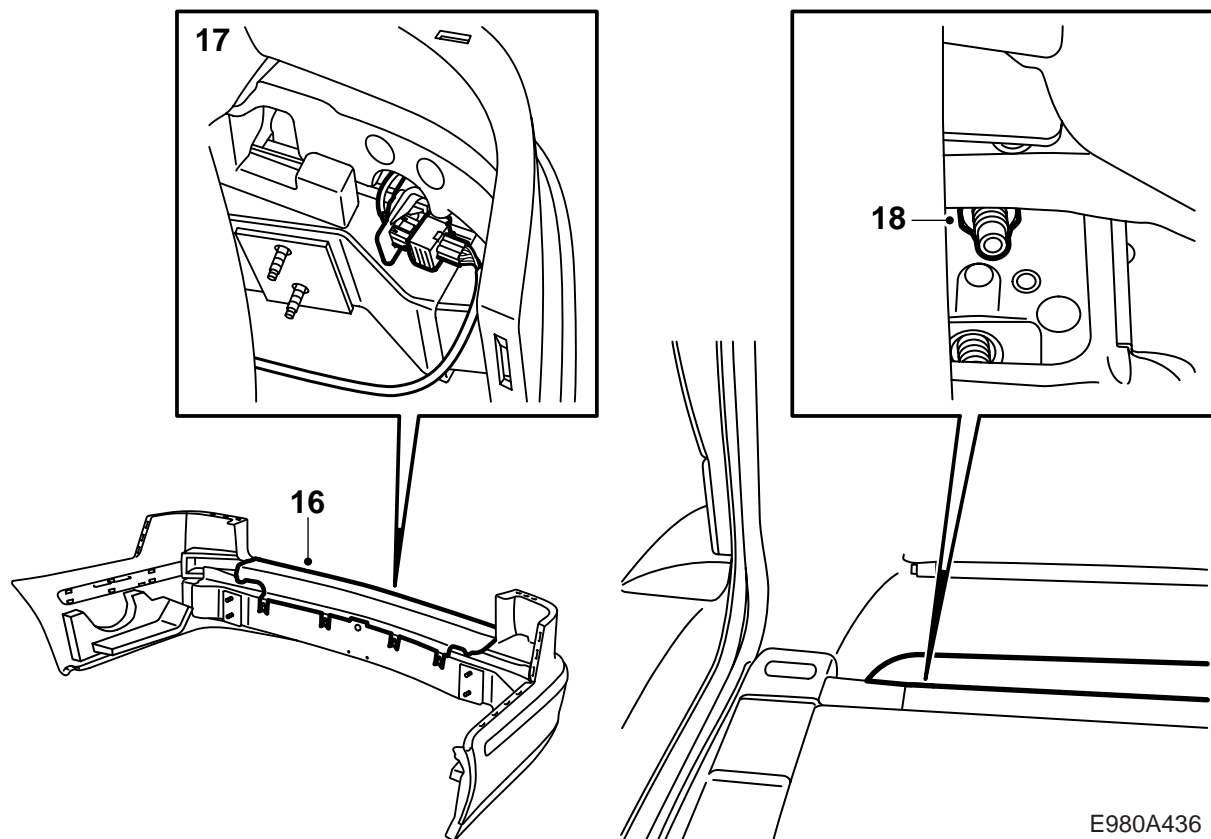
Cut or saw as exact as possible. The appearance is very important. Adjust with a file if necessary.

- 11 Fit the grille decor strip in the bumper.
SPA: Fit the wiring harness.
- 12 Press in the three sections of the cellular block in the bumper shell mounting wedges.
- 13 Fit the bumper rail.

Note

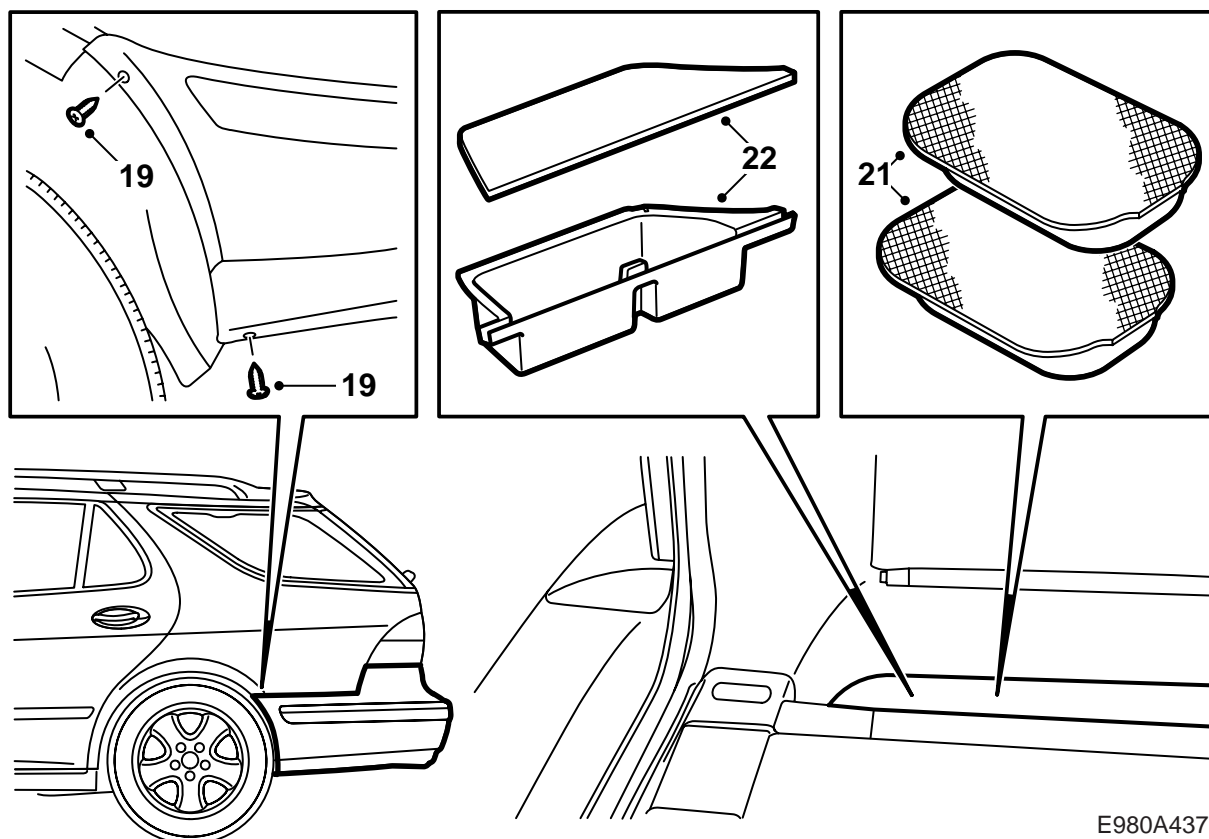
The rail must be guided into place using the guide pin in the protective shell.

- 14 Fit the cellular block on the sides of the bumper shell.



E980A436

- 15 **SPA:** Fit the holder for the connector.
- 16 **Cars without towbar:** Fit the upper section of the bumper shell.
- 17 Position the bumper.
SPA: Connect the connectors.
- 18 Press the bumper over the edge of the wheel housing and rear fender (wing), make sure that the clips locate correctly, and fit the nuts.



E980A437

19 Centre the bumper against the tailgate opening and tighten the screws in the edge of the wheel housing. Check the fit and adjust if necessary.

20 Fit the nuts that hold the bumper.

Tightening torque 40 Nm (30 lbf ft)

Cars with towbar:

- Fit the towbar's electrical connector to the towbar.
- Fit the towbar mountings to the floor of the car.

Tightening torque 40 Nm (30 lbf ft)

- Fit the bolts and nuts that hold the reinforcements to the body.

Tightening torque 40 Nm (30 lbf ft)

- Fit the upper section of the bumper shell.

21 Fit the insulation pads.

22 Fit the storage compartment and the storage compartment cover on both sides.

23 Close the tailgate.

Directions for painting preprimed PP/EPDM plastic

- Place the sill covers in such a way as they will not be distorted while painting.
- The temperature must not exceed +40 °C (104 °F).
- The sill covers are primed on delivery.
- Use clean gloves when handling the sill covers.

Drying time

70 minutes at 40 °C (104 °F).

Preparations

- Rub down the primed surfaces thoroughly. Use 3M 1200 or 800 abrasive paper.