



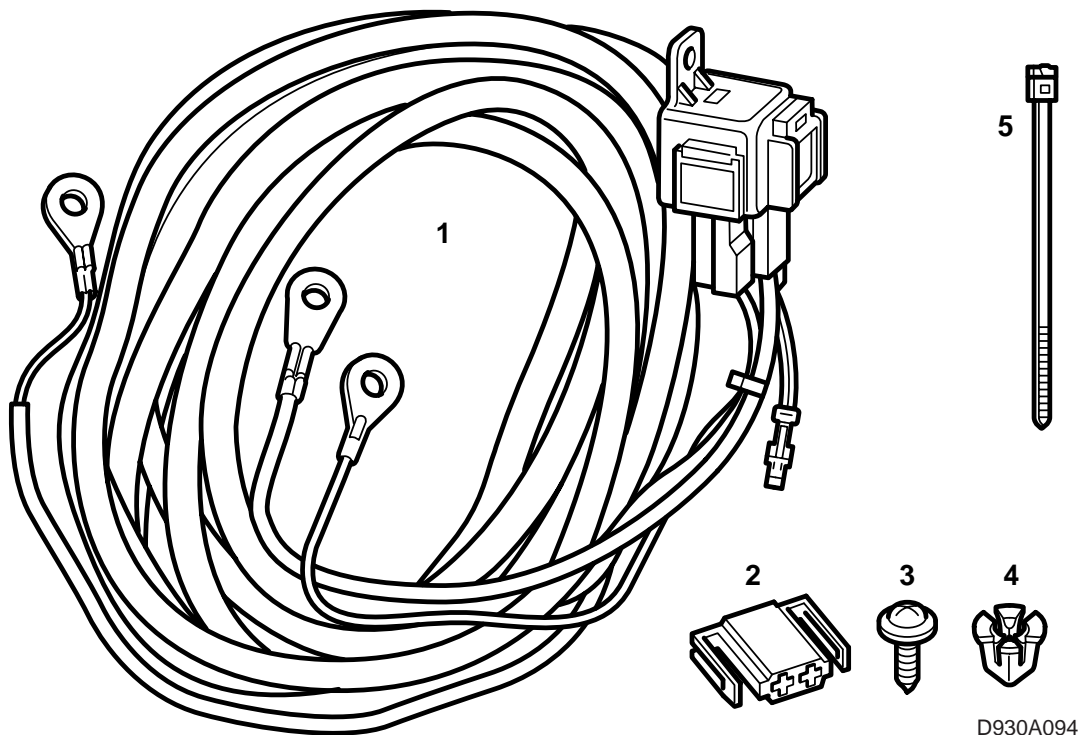
SAAB

**MONTERINGSANVISNING · INSTALLATION INSTRUCTIONS
MONTAGEANLEITUNG · INSTALLATIONS DE MONTAGE**

Saab 900 M94-, Saab 9000 M85-

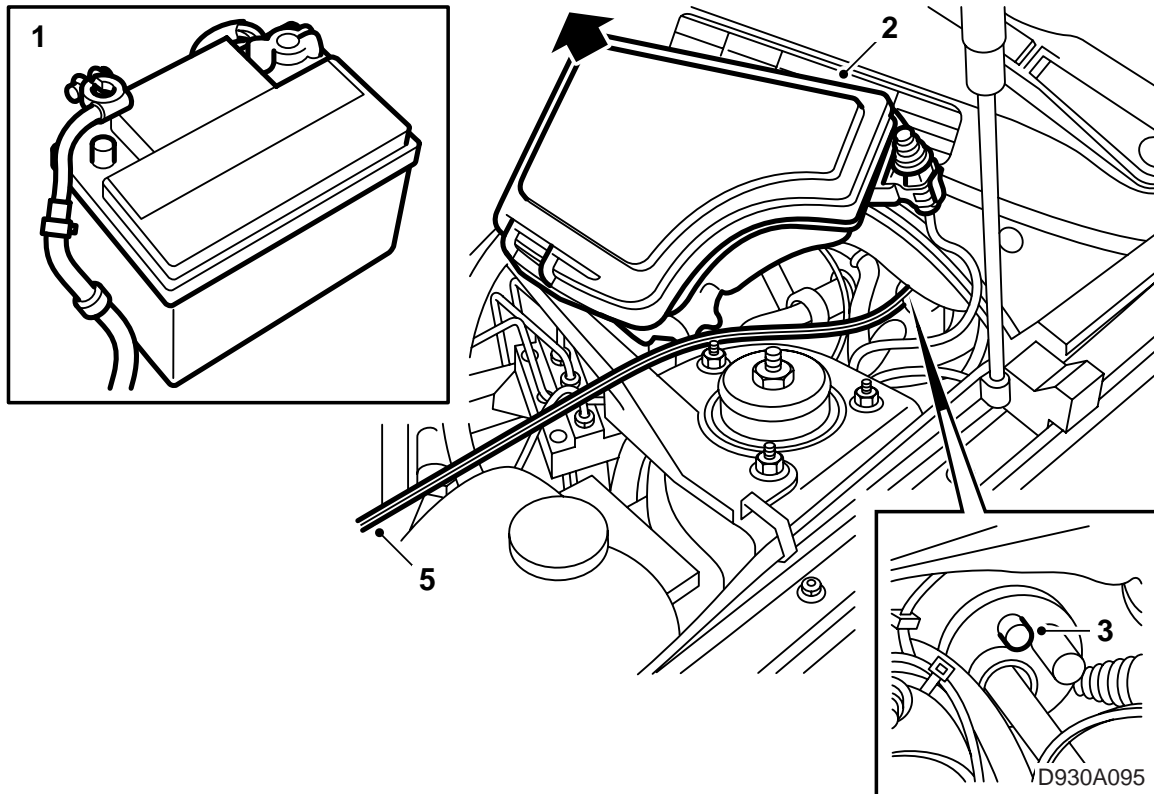
Wiring Harness, trailer, charging

Accessories Part No.	Group	Date	Instruction Part No.	Replaces
400 101 234	3:71-11	Apr 99	86 80 142	75 04 55 Jul 93



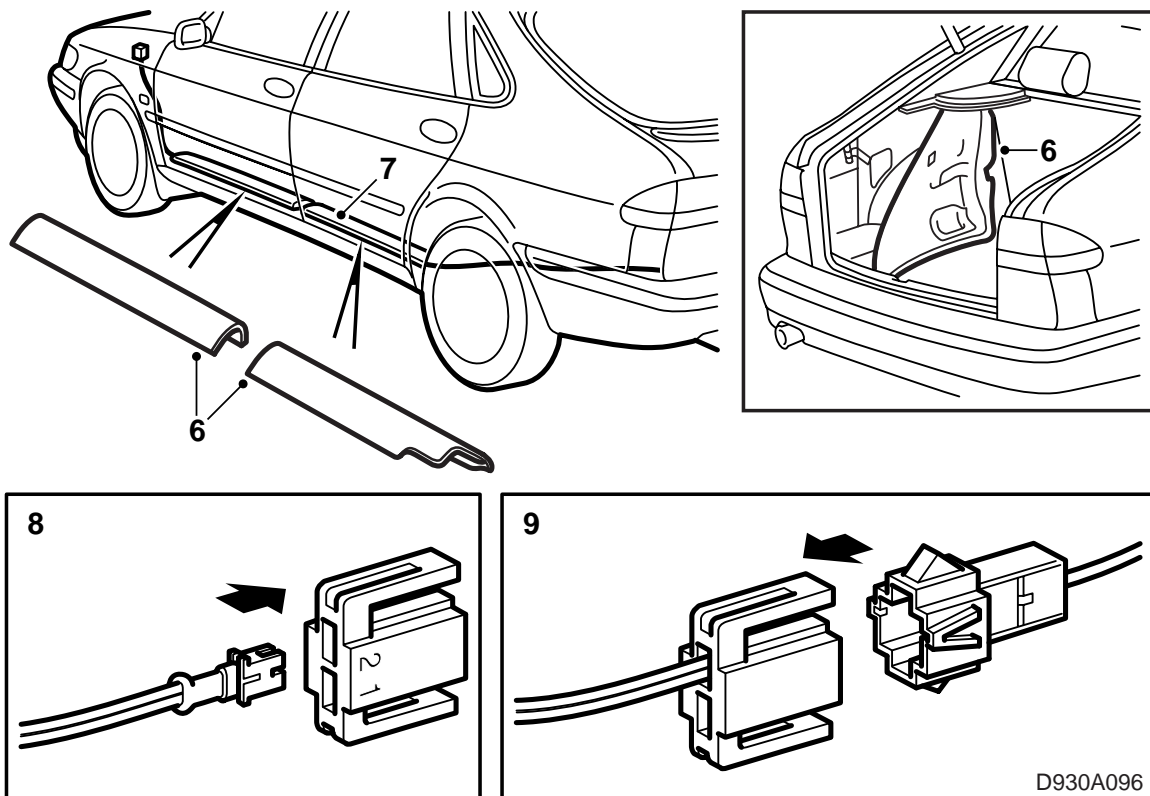
D930A094

- 1 Wiring harness with relay and fuse
- 2 2-pin connector
- 3 Screw
- 4 Speed nut
- 5 Cable ties (10)

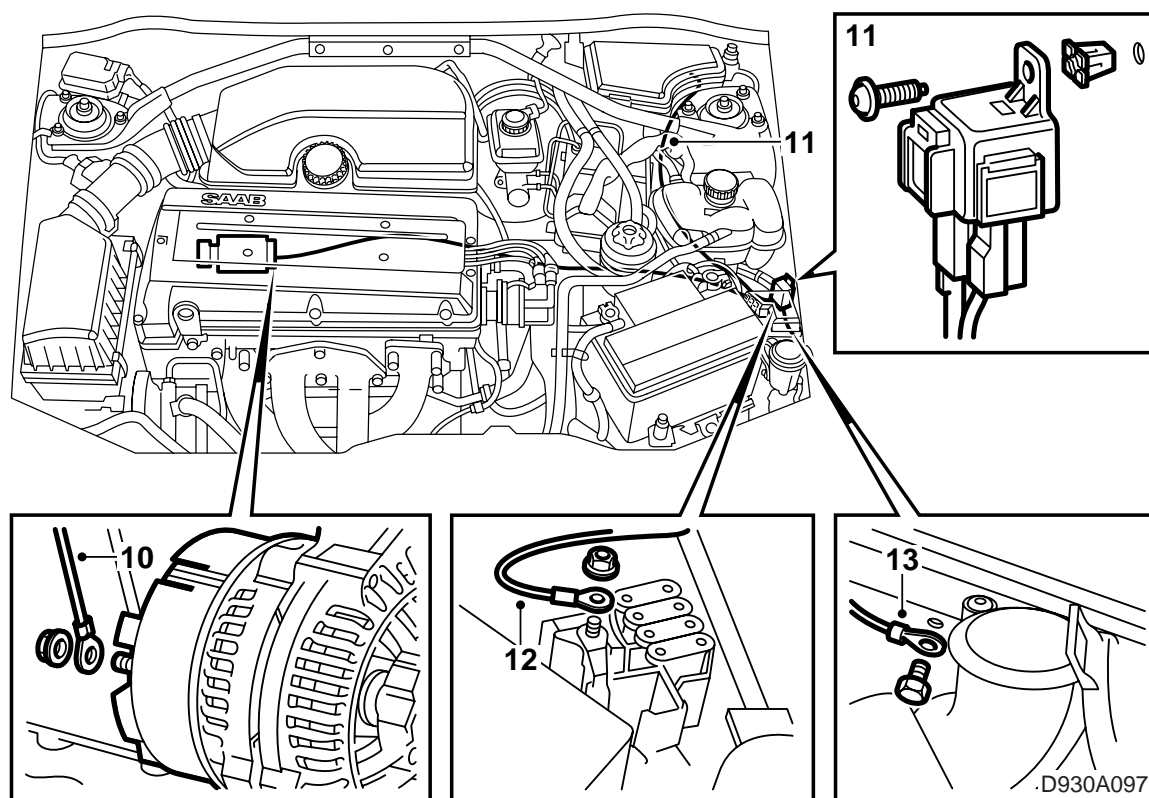


Saab 900 M94-

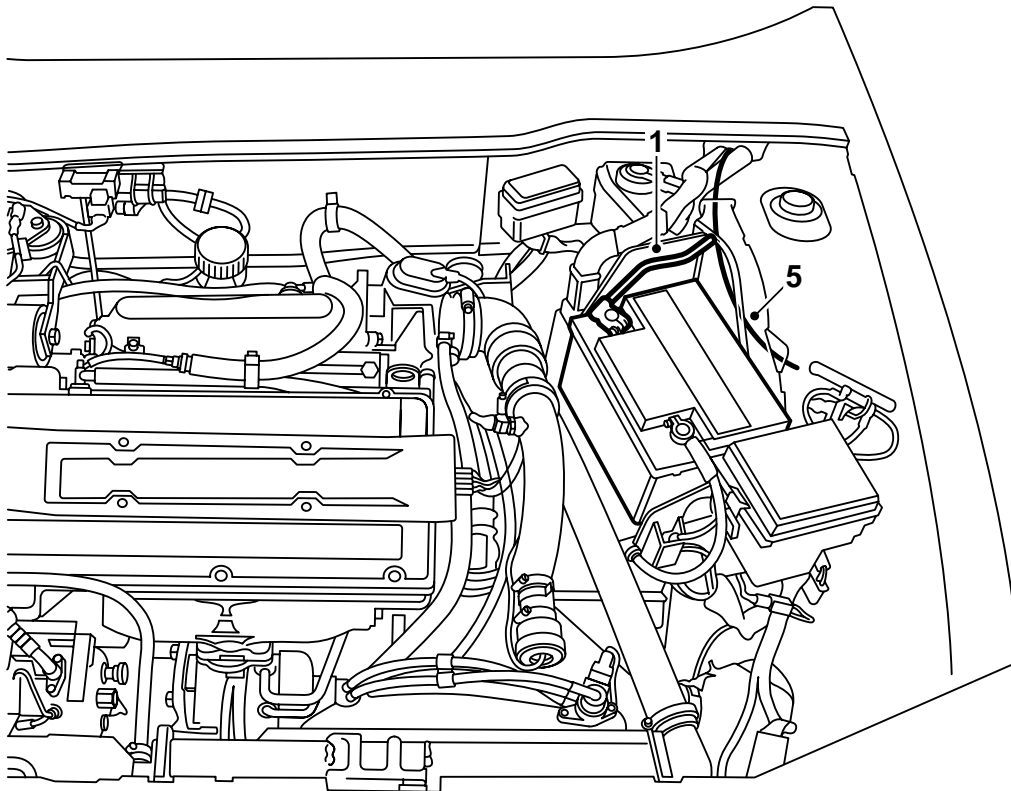
- 1 Disconnect the negative battery cable.
- 2 Remove and lift up the main fuse box in the engine bay (it may be necessary to remove the steady bar).
- 3 Cut through one of the small rubber grommets in the bulkhead behind the main fuse box,
- 4 Remove the cover, knee shield and air duct below the steering wheel (LHD) or remove the glove box (RHD).
- 5 Using a length of steel wire, pull the RED/BLACK cable into the cabin.



- 6 **5-D:** Remove the sill scuff plates on the left-hand side.
- 3-D:** Remove the left-hand sill scuff plate and the rear seat's left-hand side trim.
- 7 Run the wiring along the left-hand side of the car to the left hand rear light.
- 8 Connect the lead to pin 2 of the connector supplied with the kit.
- 9 In the kits for the 13-pin and 7-pin trailer connectors, the RED/BLACK (13-pin) and GREY (7-pin) lead fitted with a 2-pin connector should be used.



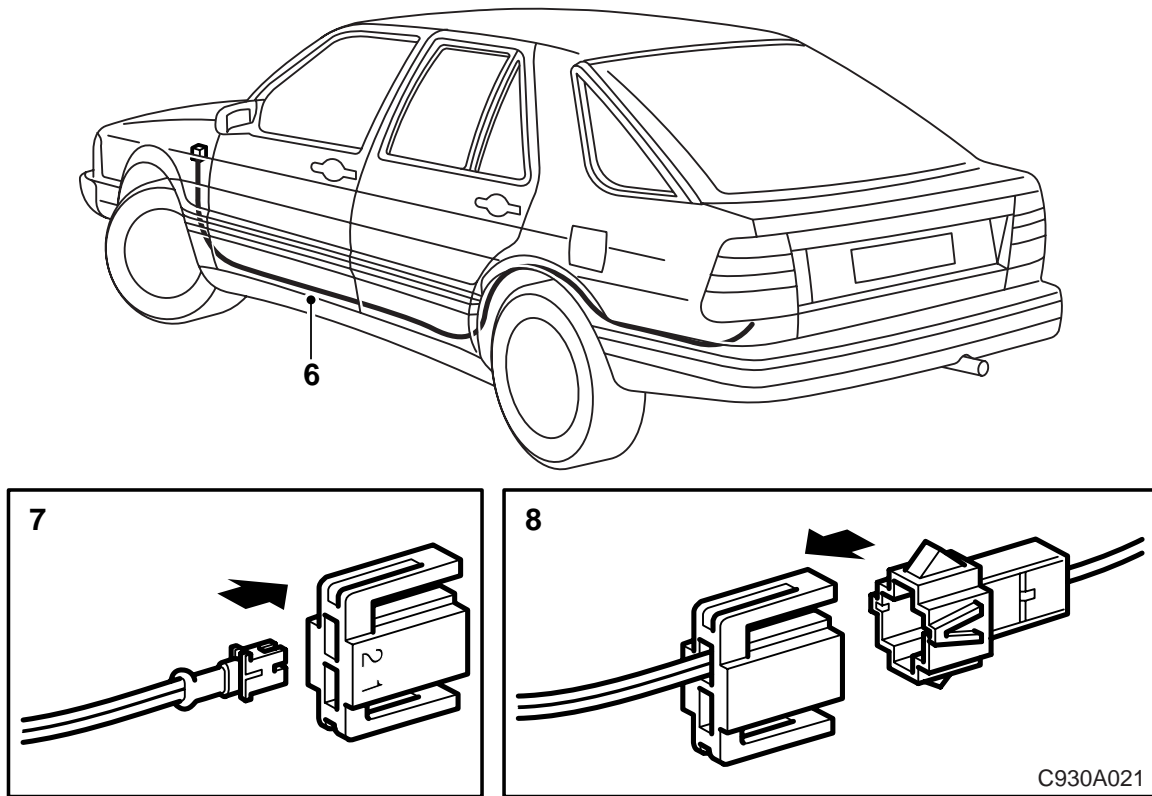
- 10 Run the GREEN/WHITE cable along the bulkhead and down to the alternator's D+ terminal.
- 11 Run the wiring under the expansion tank and down to the battery.
Screw the relay direct to the body metal at a suitable place.
Drill a 3.5 mm hole.
Apply anti-rust agent to the hole.
- 12 Connect the RED cable from the relay holder to the positive terminal of the Maxi fuse holder.
- 13 Remove the nut on the front grounding point behind the battery (**not** the battery grounding point). Connect the BLACK cable to the grounding point above the existing ground cables. Refit the nut on the ground screw.
Tightening torque 8.5 Nm (6.3 lbf ft)
- 14 Refit all parts that have been removed and check for satisfactory operation.



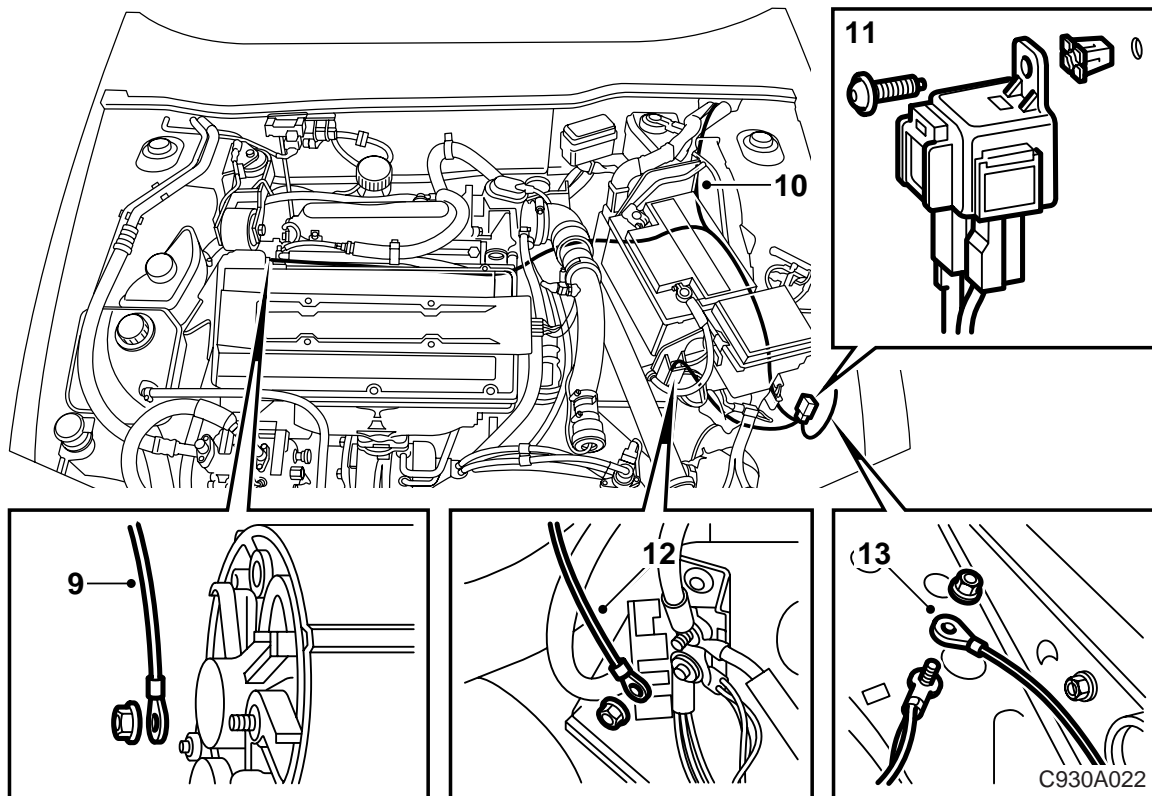
C930A020

Saab 9000 M85-

- 1 Disconnect the negative battery cable.
- 2 Remove the cover below the steering wheel (LHD) or the glove box (RHD).
- 3 Remove the left-hand sill scuff plates.
- 4 **CD:** Remove the backrest and fold the seat cushion forwards.
- 5 Pull the RED/BLACK cable into the cabin, using a length of steel wire, by-the brake cylinder.

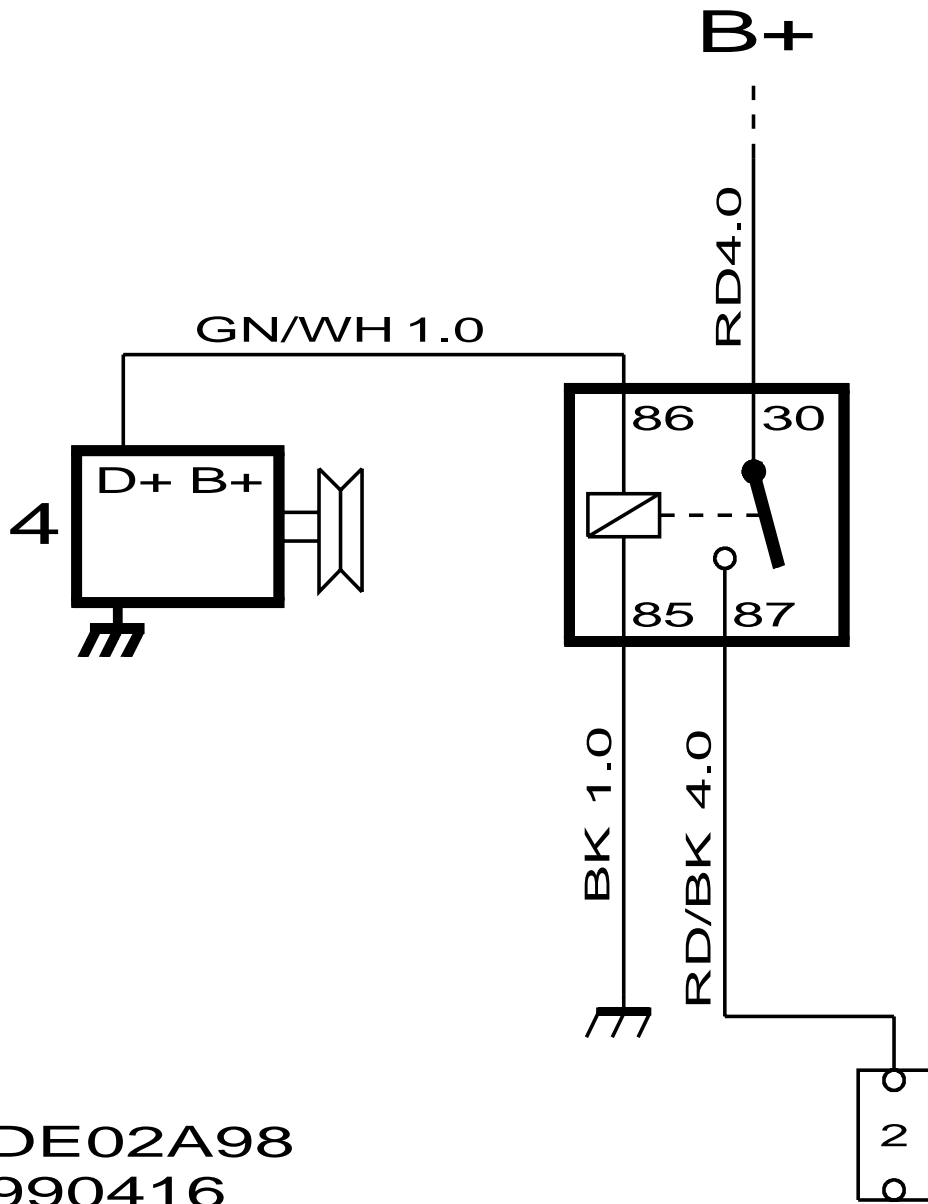


- 6 Run the wiring alongside the cars wiring harness down to the left hand rear light.
- 7 Connect the lead to pin 2 of the 2-pin connector supplied.
- 8 In the kits for the 13-pin and 7-pin trailer connectors, the RED/BLACK (13-pin) and GREY (7-pin) lead fitted with a 2-pin connector should be used.



- 9 Run the GREEN/WHITE cable along the bulkhead and down to the alternator's D+ terminal.
- 10 Run the wiring with relay in the cable conduit by the battery.
- 11 Remove the rubber plug from the square hole in the structural member at the front of the battery. Fit the plastic plug and screw the relay in place with the connecting pins pointing downwards. The relay can be screwed to the front of the battery tray. Drill a 3.5 mm hole.
TCS cars: The rectangular hole can be used. Make sure that the ground cable clears the screw.
- 12 Connect the RED cable to the terminal block in front of the battery.
- 13 Connect the BLACK cable to the grounding point on the structural member.
- 14 Check for satisfactory operation and refit all parts that have been removed.

Wiring diagram, charging



DE02A98
990416