

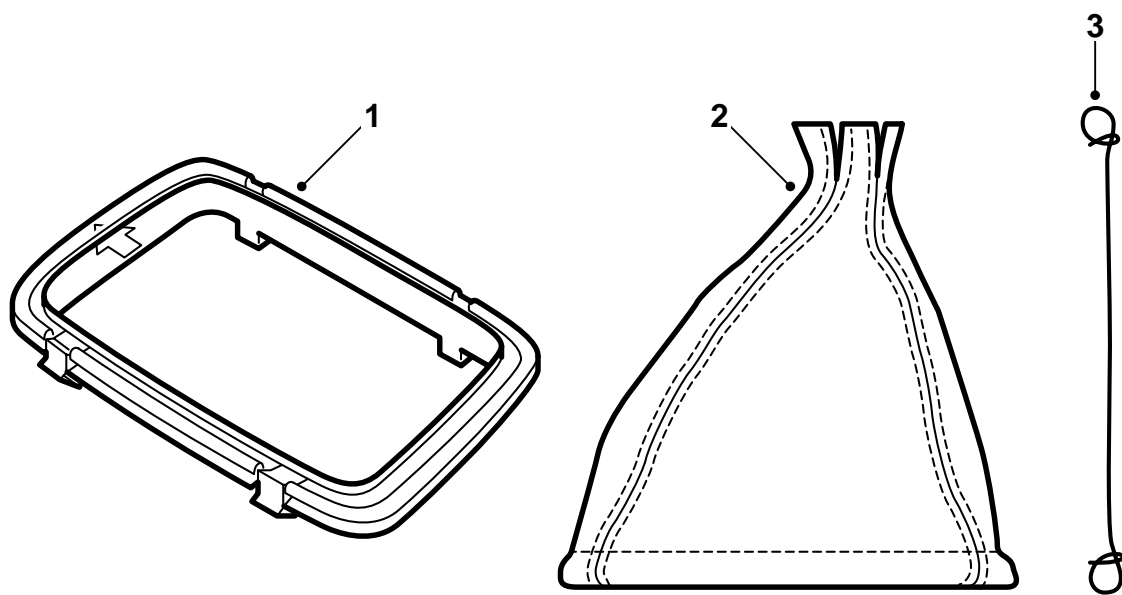


**MONTERINGSANVISNING · INSTALLATION INSTRUCTIONS
MONTAGEANLEITUNG · INSTRUCTIONS DE MONTAGE**

Saab 900 M94-, Saab 9-3

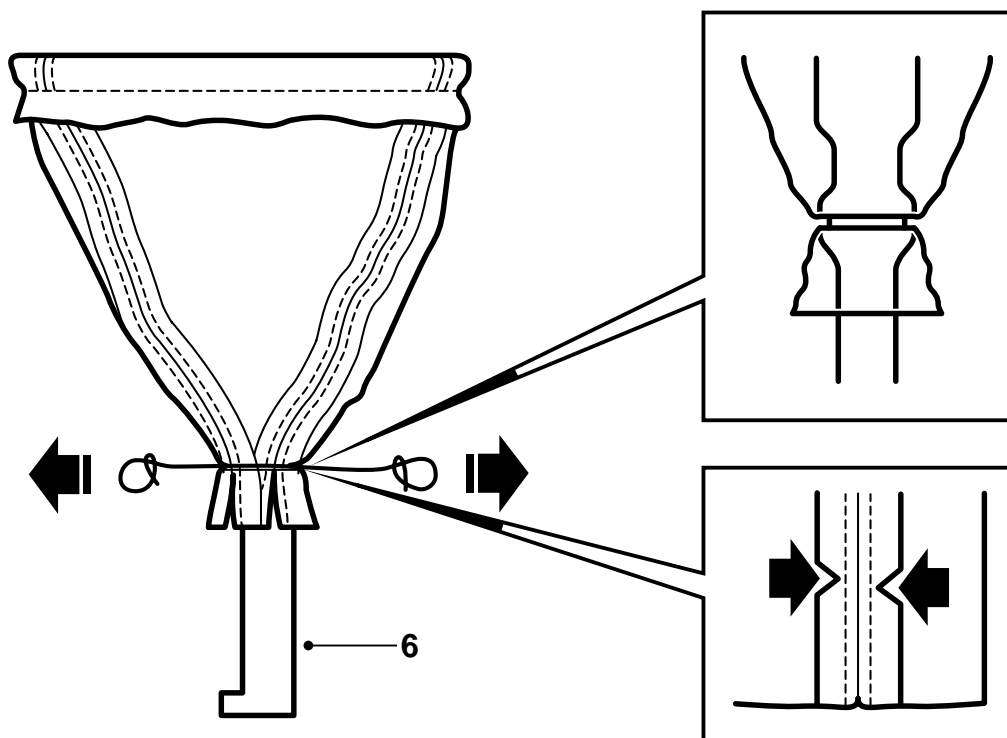
Leather gear-lever gaiter

Accessories Part No.	Group	Date	Instruction Part No.	Replaces
400 102 588	4:32-7	Sep 01	86 85 745	86 85 745 Apr 99



D980A189

- 1 Frame
- 2 Gaiter
- 3 Metal wire



D980A190

If the gear-leverknob is also to be changed, remove it first.

- 1 Remove the rubber gaiter with retaining frame from the centre console.
- 2 Detach the rubber gaiter from the reverse-gear detent's driver.
- 3 Apply a little soap solution to the underside of the gear-leverknob.
- 4 Turn the gaiter inside out and pull it up over the gear-leverknob.
- 5 Fit the gaiter to the frame. The gaiter's round elastic beading should fit in the groove round the frame. The gaiter's four seams should be at the corners of the frame. Note that the gaiter should be inclined rearwards, towards the narrower side of the frame. Turn the gaiter inside out and fit it over the gear-lever knob. The **arrow** on the underside of the frame should point **forwards**.
- 6 Secure the gaiter to the reverse-gear detent's driver by fitting the metal wire round the gaiter and pulling it tight in the driver's groove, as shown.
- 7 Pull the metal wire tight and twist the ends together a few turns, using a pair of pliers. Cut the wire about 5 mm from the gaiter and bend down the ends so that they will not damage the gaiter.

- 8 Position the retaining frame with gaiter on the centre console and secure it to the console. First fit the left-hand retaining hooks in place, then squeeze the right-hand side of the frame slightly inwards and press it down into the centre console.