

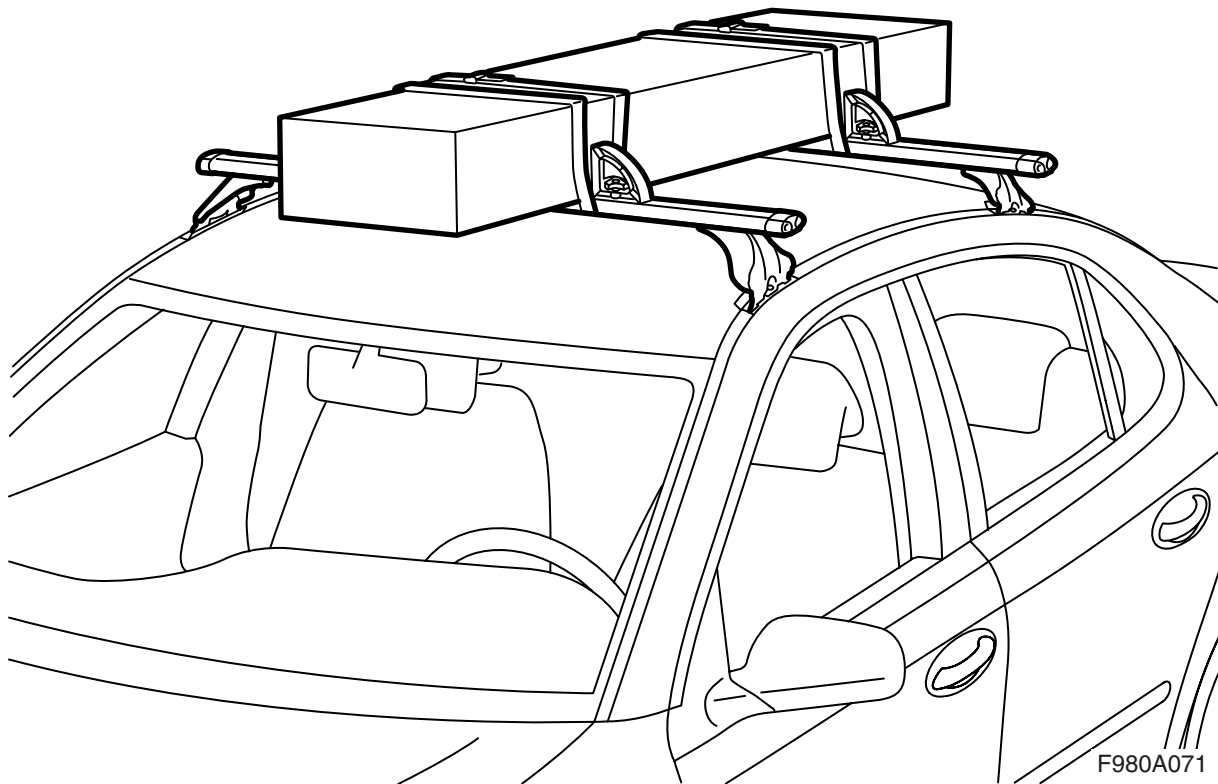


**MONTERINGSANVISNING · INSTALLATION INSTRUCTIONS
MONTAGEANLEITUNG · INSTRUCTIONS DE MONTAGE**

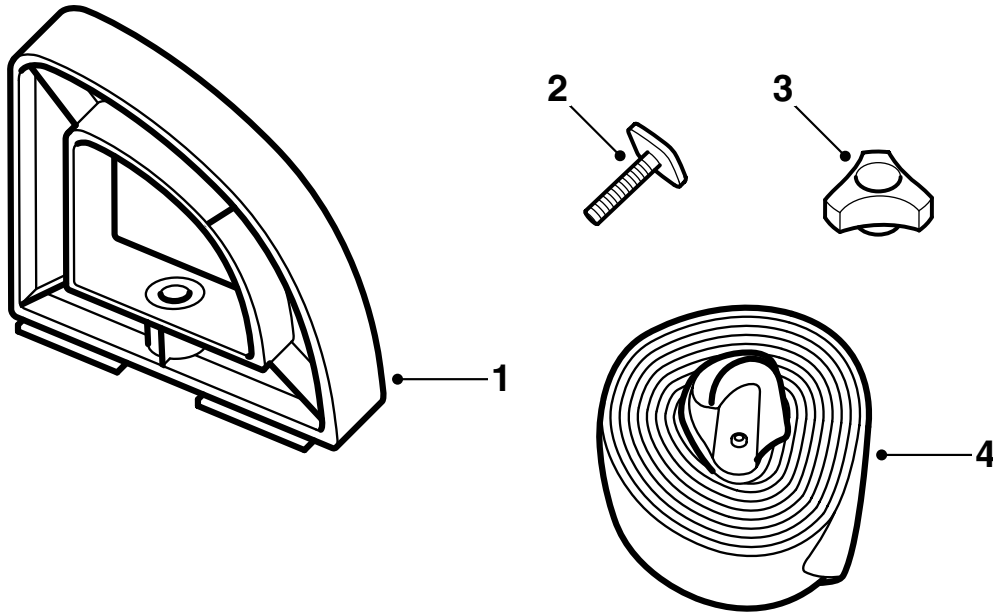
Saab

Load stop

Accessories Part No.	Group	Date	Instruction Part No.	Replaces
12 791 389 400 132 320	9:89-08	Apr 04	12 792 697 (55 20 929)	12 792 697 Apr 02



F980A071



F980A072

- 1 Load stop (x4)
- 2 T-groove bolt (x4)
- 3 Wheel nut (x4)
- 4 Cable tie (x2)

Important

WARNING

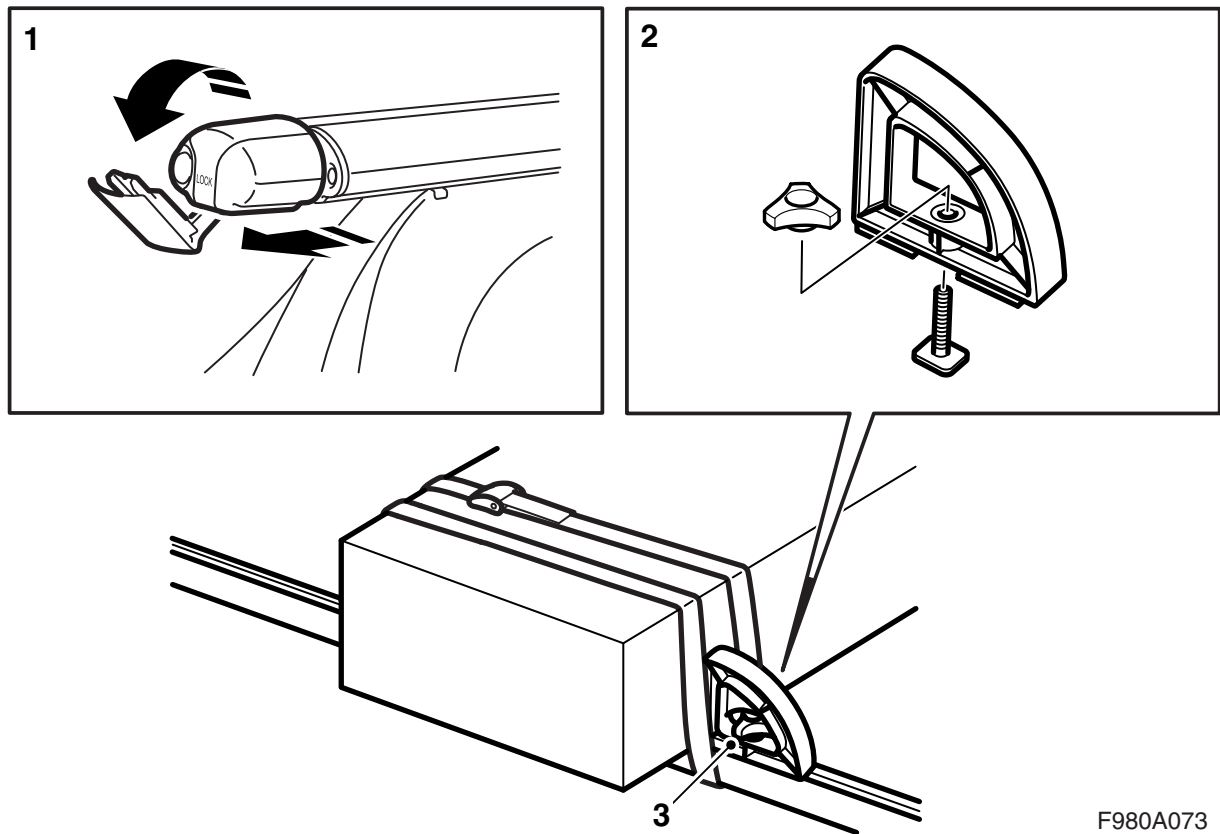
Read the installation instructions carefully before using the load stop. Carefully follow these instructions when fitting the load stops and keep them in the car for future reference.

Adapt the speed of the car to take into account the change in centre of gravity and aerodynamics caused by the weight and profile of the roof load.

- Do not fit or use the load stops until these installation instructions are fully understood.
- The load stops are constructed for safe transport provided that they have been properly mounted. **Product modifications must not be made.**
- Maximum permitted roof load (including load carrier): See the Owner's Manual for the car and information relating to the load carriers.
Load stop weight: 0.7 kg.
- Note that the car's handling characteristics (during strong crosswinds, cornering or braking) are altered while driving with a loaded carrier.
- For safety reasons and to reduce wind resistance, the carriers should be removed when not in use.
- The load carrier should be removed before the car is taken through an automatic car wash.
- Saab Automobile AB is not responsible for damages caused by improperly mounted load carriers or accessories.
- When in doubt, contact your Saab dealer.
- These installation instructions should be stored in the car.

Advice and tips

- Secure the load so that it cannot loosen or cause damage. Be sure to tie down the load so that it cannot move in any direction. The driver is responsible for ensuring that the load is properly secured.
- Use proper equipment, such as straps with tensioners that lock securely. Do not use elastic bands or rope for any load heavier than a pair of skis.
- Be sure to distribute the load weight equally on the carrier to provide the lowest possible centre of gravity. Place small, very heavy loads to one side, not in the centre, of the carrier during transport.
- For reasons of traffic safety, the load should not extend over the sides of the car.
- Long objects must be braced or secured to the bumper or the towing eye both front and rear. If the load extends more than 1 m (3.3 ft) to the rear of the car or if it extends over the front of the car, it must be properly marked with warning flags or the like.
- Before driving, check that all attaching equipment is secured and the load is tied down properly. Stop after driving a short distance and check that the load is secure.
- No modifications should be made to the carriers.



F980A073

- 1 Pull out the load carrier end plugs and fold down the centre section.
- 2 Mount the load stops together with the T-groove bolt and wheel nut.
- 3 Insert the load stops into the load carrier grooves. Tighten the wheel nuts when the load stops are properly positioned.
- 4 Fold up the centre section of the load carrier end plugs and insert the end plugs.
- 5 Secure the cargo with the straps.

 **WARNING**

The cargo retaining straps must be wound around the load stops, not through the load stops as the stops are constructed to act only as support.

These installation instructions should be stored in the car.