



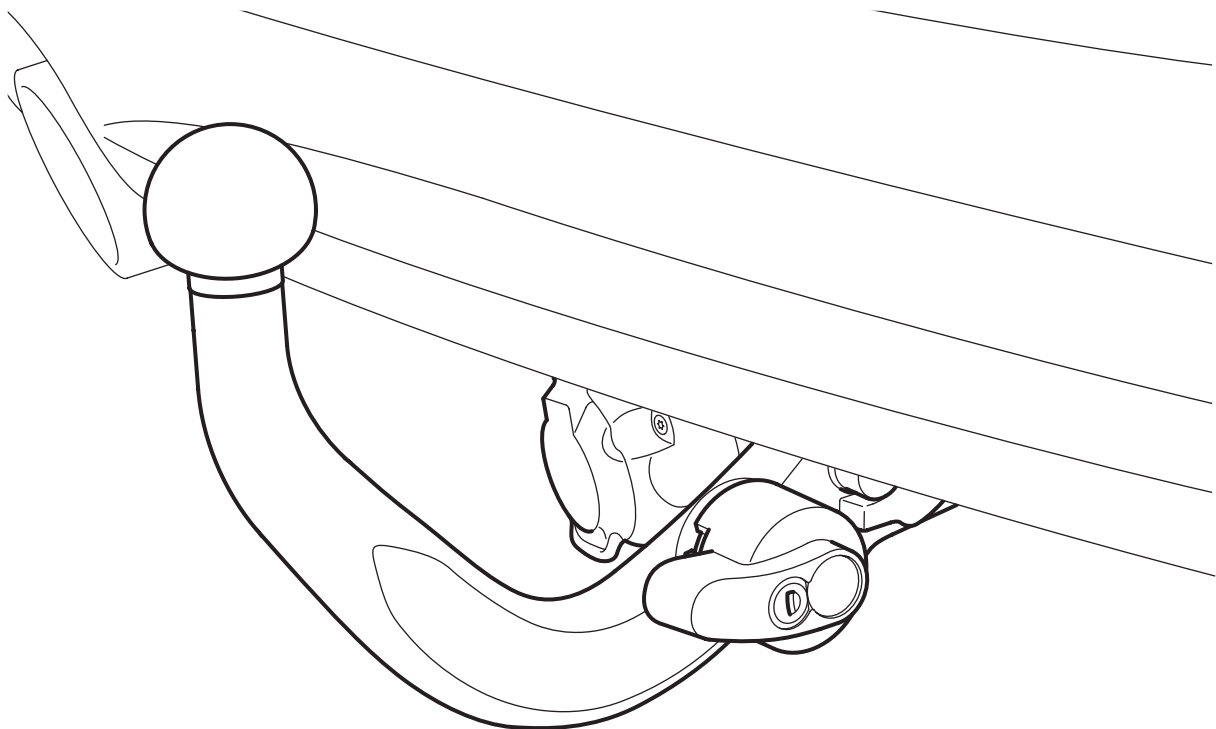
**MONTERINGSANVISNING · INSTALLATION INSTRUCTIONS  
MONTAGEANLEITUNG · INSTRUCTIONS DE MONTAGE**

**Saab 9-3 4D M08- XWD**

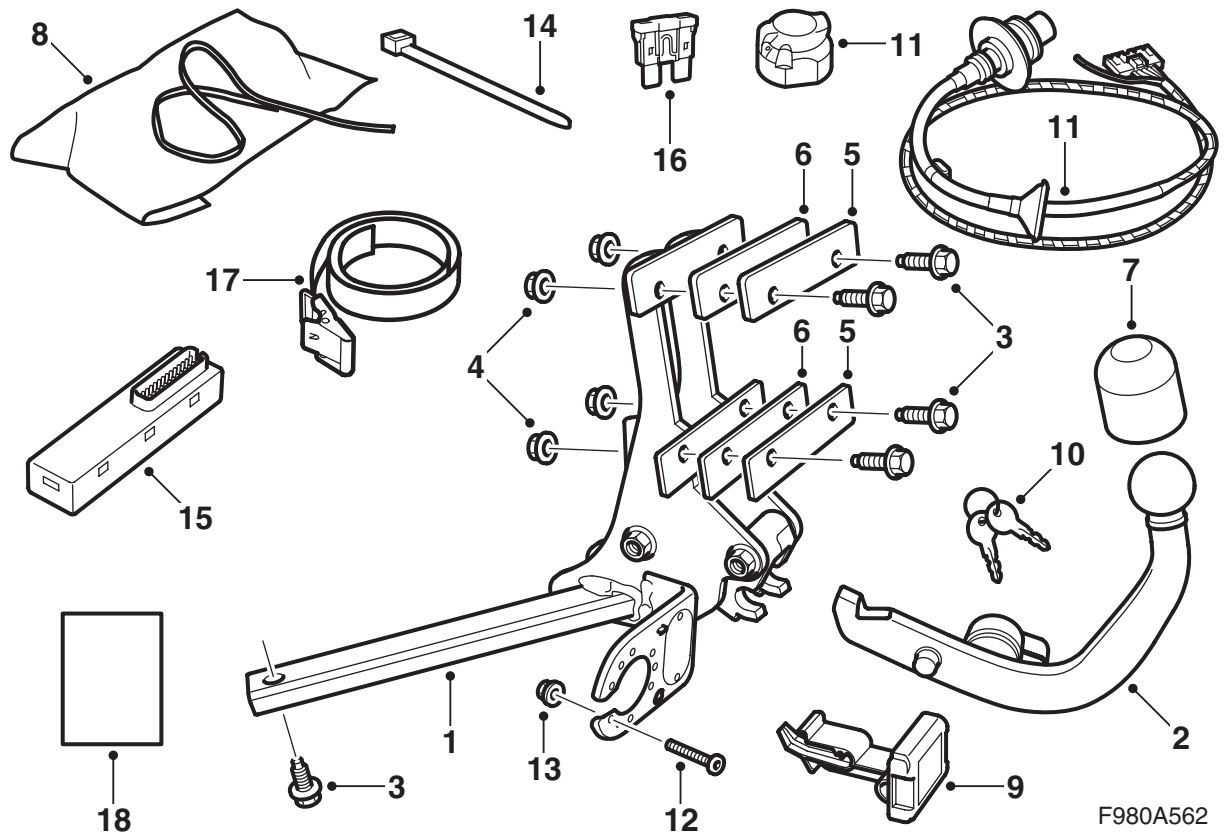
(EC 94/20, e11 00-7393)

Towbar, removable

Accessories Part No.	Group	Date	Instruction Part No.	Replaces
13 316 662	9:86-02	Mar 09	13 316 677	



F980A545



F980A562

- 1 Body bracket
- 2 Ball unit
- 3 Flange screw (x6) M10x40 class 100 (10.9)
- 4 Flange nut (x4) M10 class 8
- 5 Reinforcement plate (x2) 5 mm
- 6 Zinc plate (x2) 1 mm
- 7 Ball guard
- 8 Storage bag
- 9 Cover
- 10 Key (x2)
- 11 Wiring harness (13-pin)
- 12 Screw (x3)
- 13 Nut (x3)
- 14 Cable tie (x4)
- 15 Electronic module
- 16 Fuse
- 17 Belt
- 18 Handling label

**Note**

Always check national legislation and regulations regarding mounting a towing bracket. Ensure that all requirements are complied with.

13 316 662 (Saab part number 13 316 659)

The towing bracket fulfils the requirements of 94/20/EEC.

**Maximum permitted trailer weight:**

Trailer with brakes: 1600 kg (3500 lbs)  
(EC 94/20, e11 00-7393)

Trailer without brakes: 50% of the towing vehicle's weight (vehicle in running order), but no more than 750 kg (1650 lbs).

**Max. permissible towball pressure:** 75 kg

**Maximum D-value:**

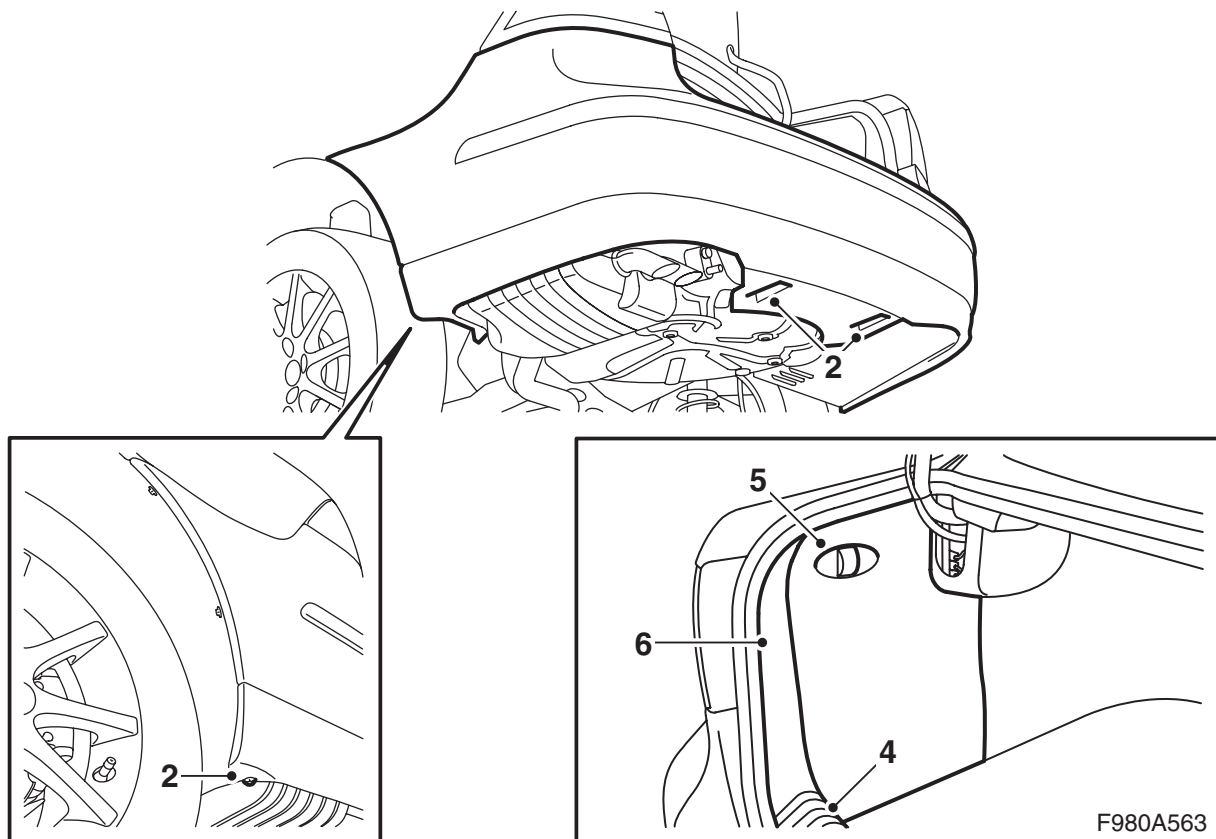
9.5 kN

---

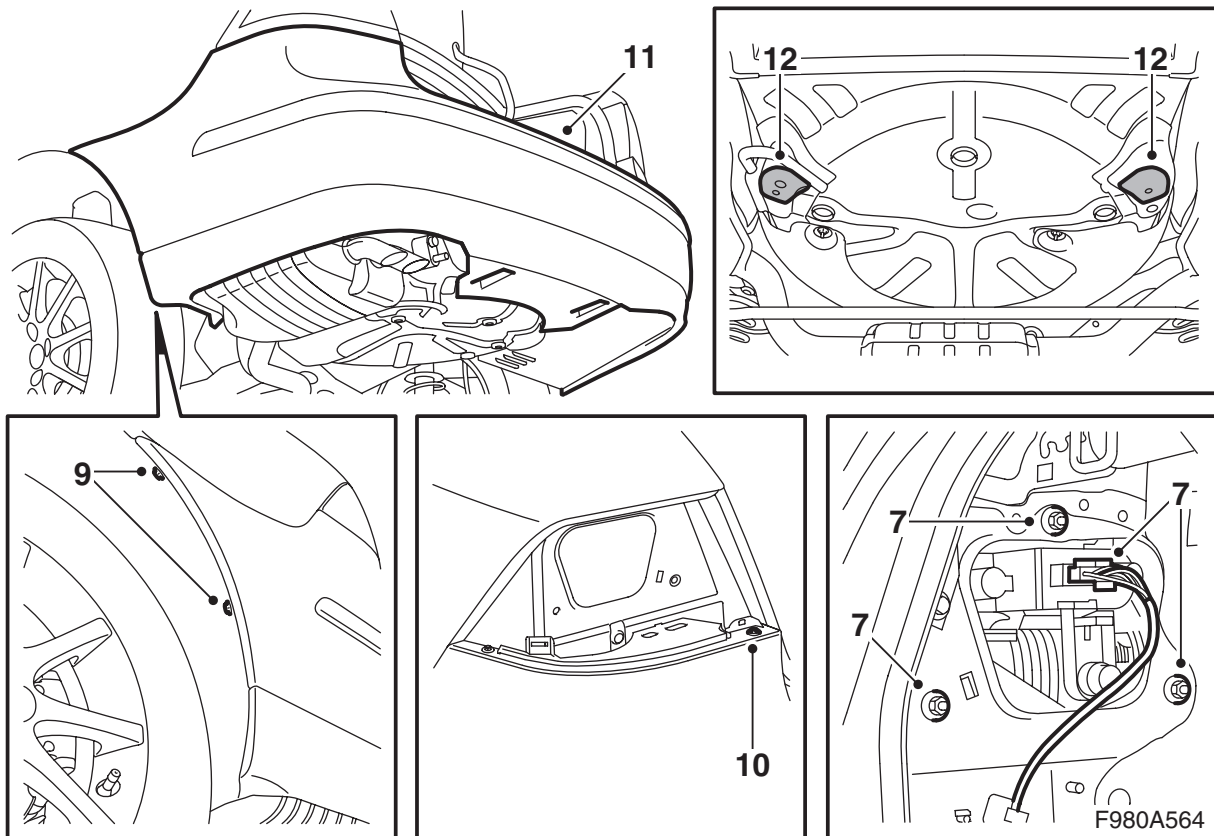
**Important**

The car must be inspected after the towing bracket is mounted. Show these instructions at the inspection.

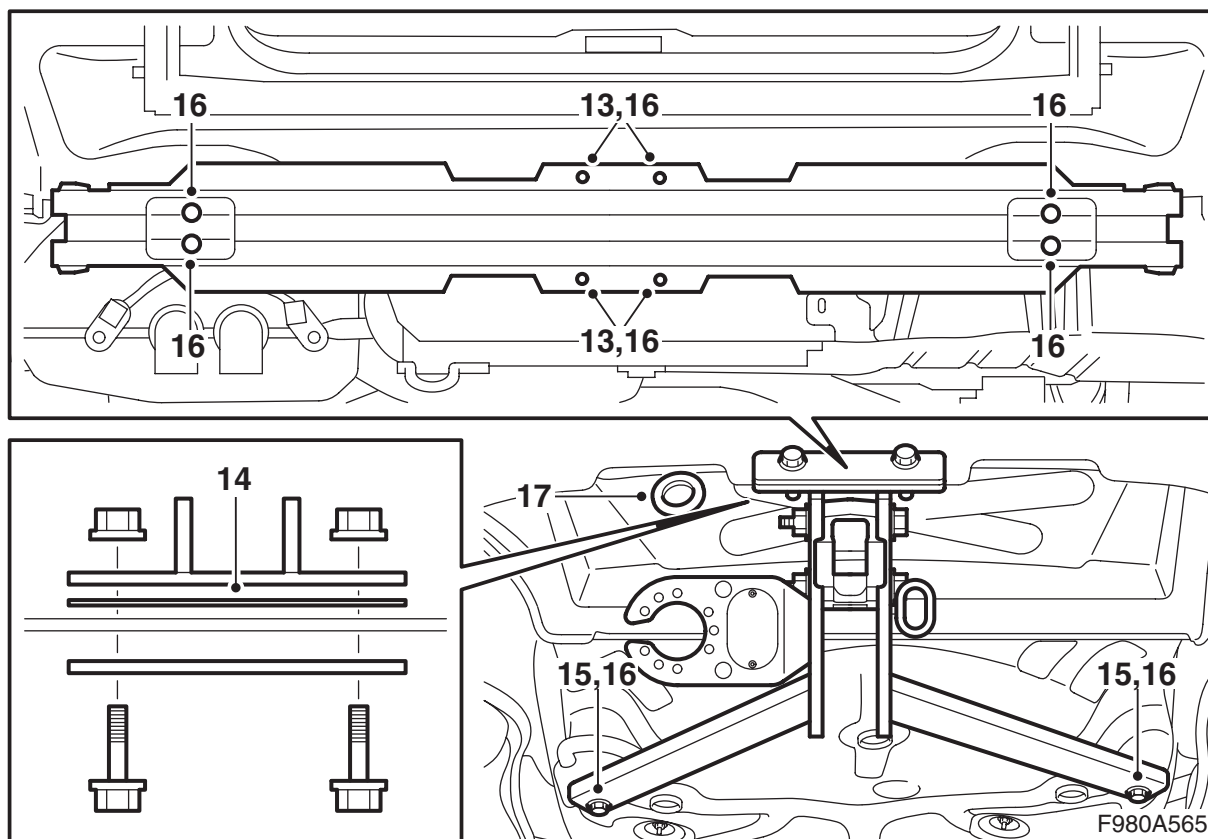
---



- 1 Raise the car.
- 2 Remove the two nuts that hold the rear bumper's air shield to the body and the bolts that hold the bumper shell to the wheel housings.
- 3 Lower the car and open the boot lid.
- 4 Remove the luggage compartment scuff plate.
- 5 Remove the hatch in the luggage compartment's left-hand side trim. Remove the plastic rivet and fold down the hatch on the right-hand side.
- 6 Remove the side scuff plate on the left-hand side.



- 7 Remove the rear lamp clusters.
- 8 **SPA:** Unplug the connector.
- 9 Remove the bumper bolts at the wheel housings.
- 10 Undo the catches for the bumper shell which are located under the rear lamps.
- 11 Remove the bumper shell by pulling the sides outwards and then pulling the bumper shell rearwards.
- 12 Scrape carefully to remove the underseal within the marked area, where the towbar is in contact with the body.



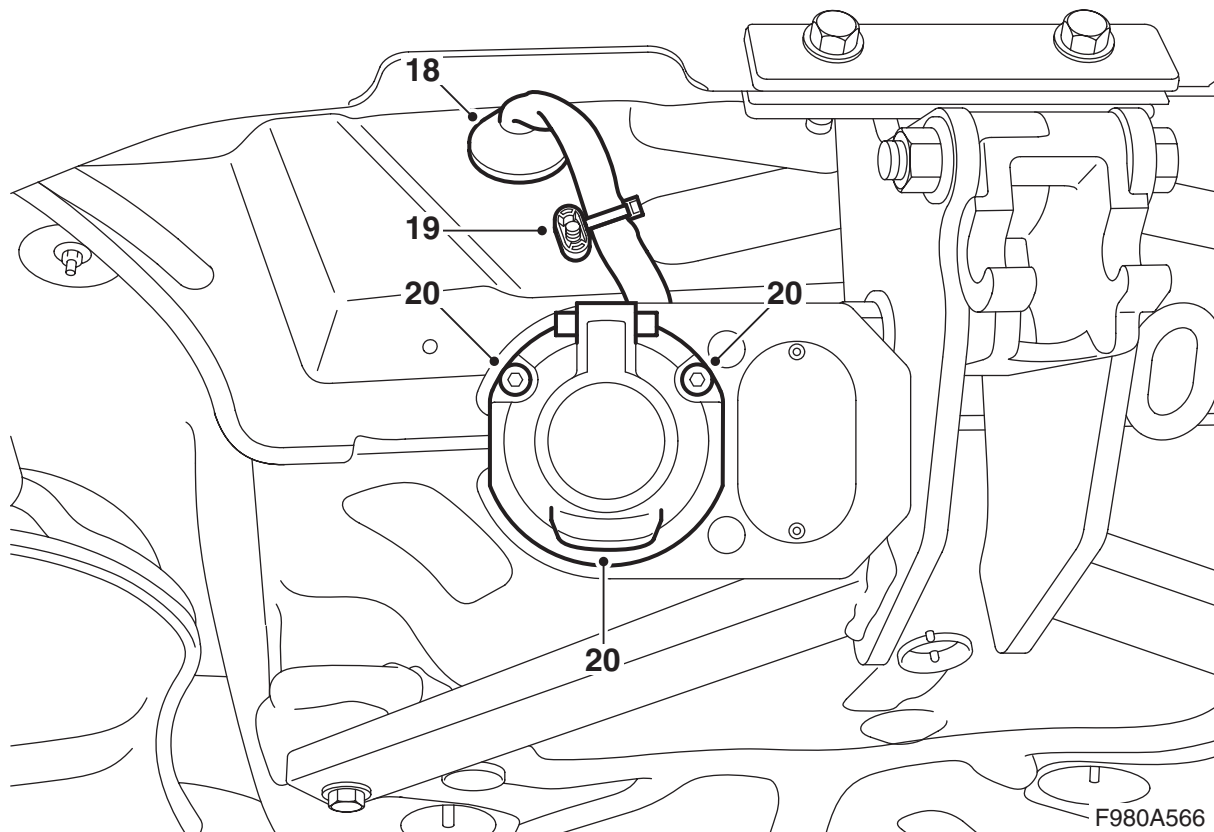
- 13 Secure the towbar with bolts and nuts together with the reinforcements in the four holes which are in the bumper member and raise the car.
- 14 The zinc washers should be located between the towbar and the bumper member.
- 15 Raise the car and attach the towbar in the floor under the spare wheel well.
- 16 Tighten the bumper member mountings against the body and the bolts and nuts holding the towing bracket against the bumper member and floor.

**Tightening torque, bumper member to body  
50 Nm (37 lbf ft)**

**Tightening torque, towing bracket to bumper member  
80 Nm (59 lbf ft)**

**Tightening torque, towing bracket to floor  
80 Nm (59 lbf ft)**

- 17 Remove the rubber plug.



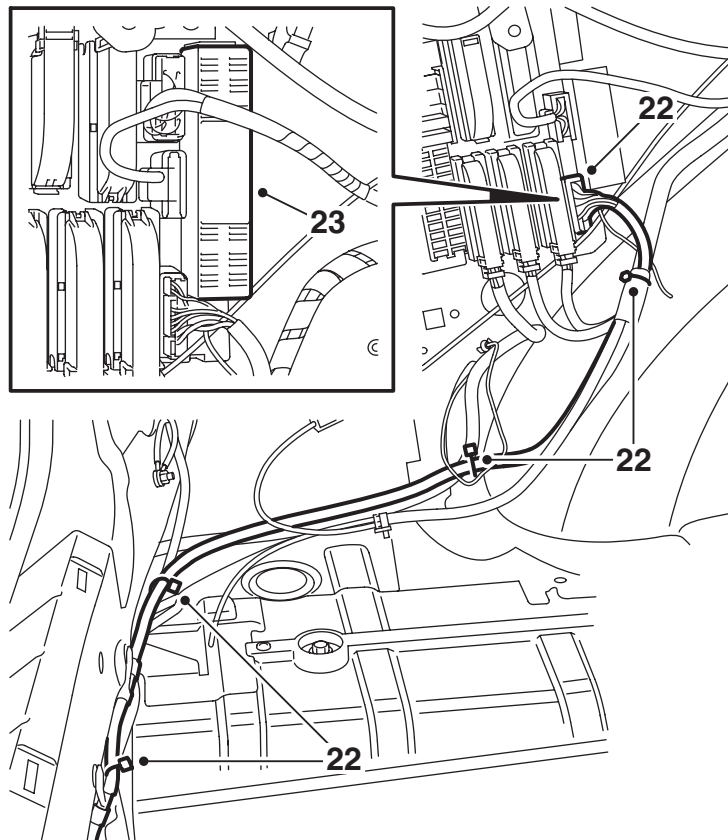
- 18 Insert the wiring harness through the hole in the body.
- 19 Fasten the wiring harness to the right-hand weld screw on the left-hand side of the towing bracket.
- 20 Fit the 13-pin connector to the connector holder plate. The cover should open upward.

---

**Important**

The seal between the connector and the connector holder plate must be correctly mounted and should not be folded in anywhere.

---



F980A567

- 21 Lower the car and run the wiring harness along the other wiring harnesses towards the left-hand side of the car and to the REC.
- 22 Plug the wiring harness connector into the REC and secure the wiring harness with 4 cable ties.

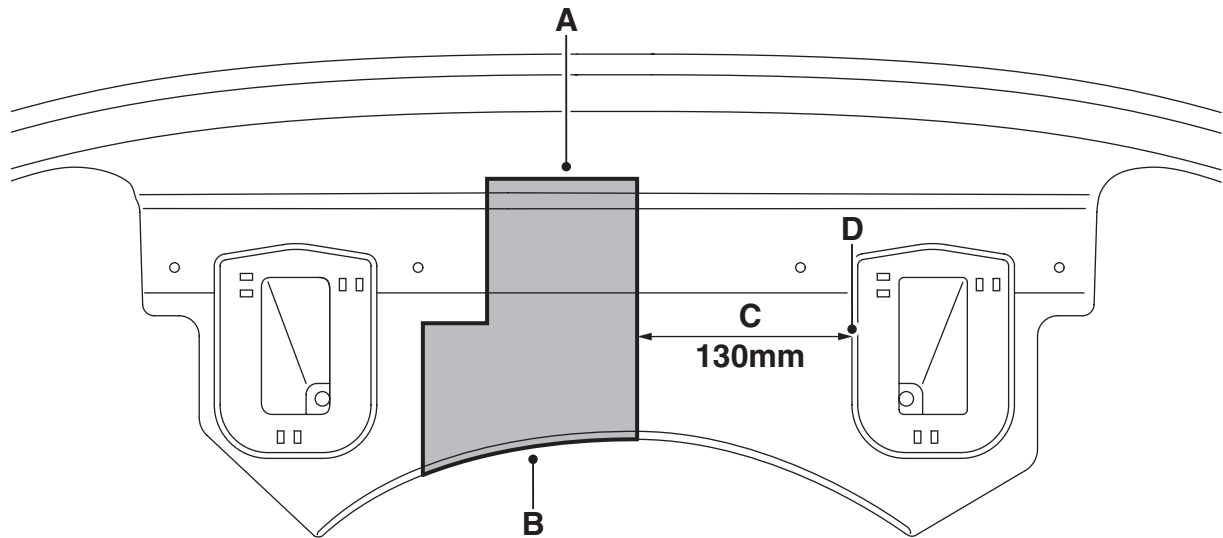
---

**Important**

The blue/white (BU/WH) cable which is not connected in the connector must not be used, but must be secured together with the wiring harness in the nearest cable tie.

- 
- 23 Fit the kit's electronic module in the REC and fit the fuse in position 8 in the REC.





F980A568

24 Print and cut out the template.

### Important

Check that the size of the template corresponds with the measurements after printing.

Create your own template if it is not possible to get the printout to correspond with the measurements.

25 Place the template (A) on the outside of the bumper shell against the edge (B) and 130 mm (C) from the edge (D) of the right-hand bracket and draw around the template.

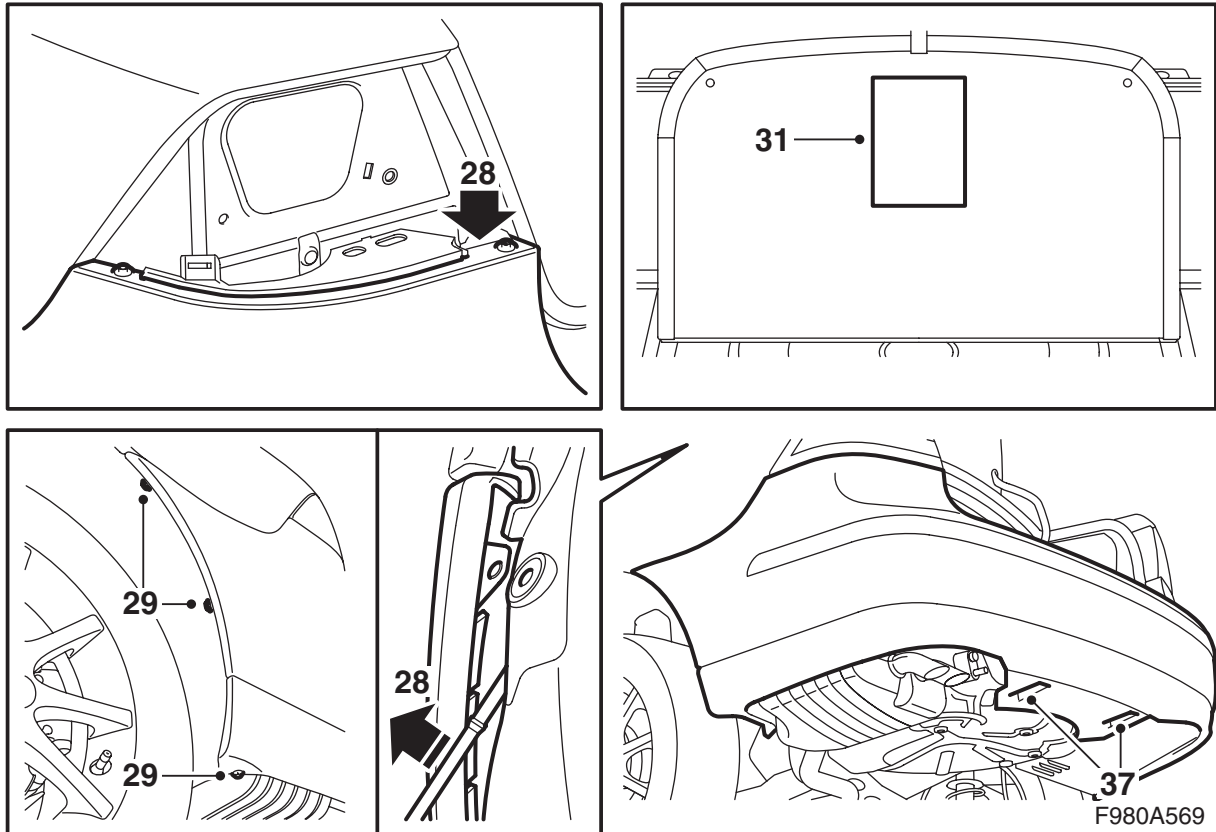
26 Saw from the outside of the bumper shell in accordance with the marking

### WARNING

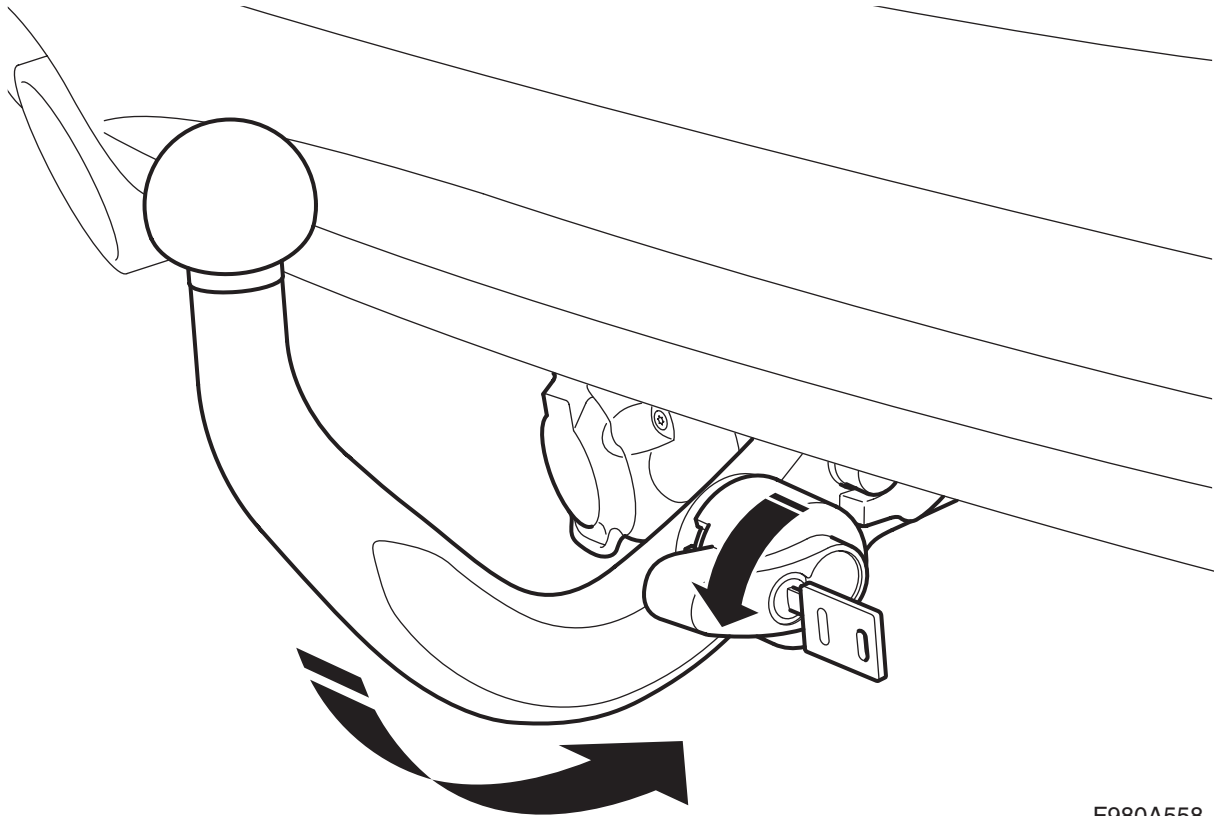
Use of a saw and knife entails a risk of injury. Exercise caution when cutting. Check that the bumper shell is stably positioned before beginning to cut. Use personal protection equipment, such as protective gloves, safety goggles and hearing protection.

### Note

Adapt the cut-out to the towbar after installation if necessary. Check that there is a small amount of play between the towbar and bumper.



- 27 **SPA:** Insert and plug in the connector.
- 28 Fit in the two tabs of the bumper shell under the holders and the outer corners between the wheel arch liner and the mounting points at the wheel arches. Press the bumper shell into place.
- 29 Fit the bumper bolts at the wheel housings.
- 30 Fit and connect the rear lamp clusters. Check the fit against the boot lid moulding.
- 31 Fit the handling label and fold down the floor.
- 32 Fit the side scuff plate on the left-hand side.
- 33 Fit the scuff plate.
- 34 Fit the hatch in the luggage compartment's left-hand side trim.
- 35 Fold up the hatch in the luggage compartment's right-hand side trim and fit the plastic rivet.
- 36 Raise the car.
- 37 Fit the two nuts holding the rear bumper air shield against the body.



F980A558

- 38 Fit the ball unit to the body bracket. Lock and remove the key.

**⚠ WARNING**

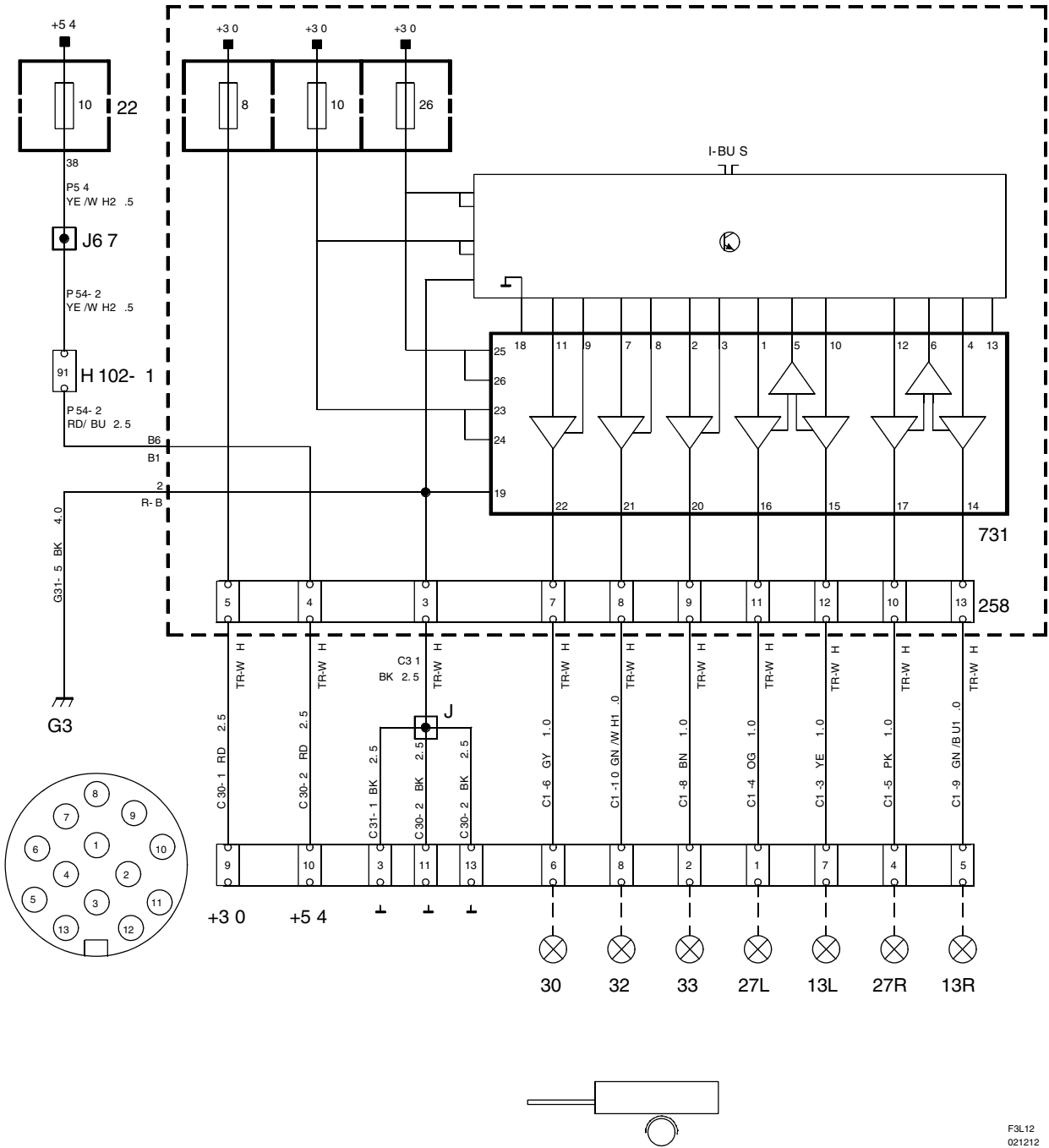
Green should be the only colour shown in the socket at the knob.

Tug on the ball unit to make sure it is properly secured.

- 39 Lower the car and check the bumper alignment. Adjust if necessary.
- 40 Carefully remove the user instruction page and give it to the customer together with the installation instructions.

Wiring diagram

701

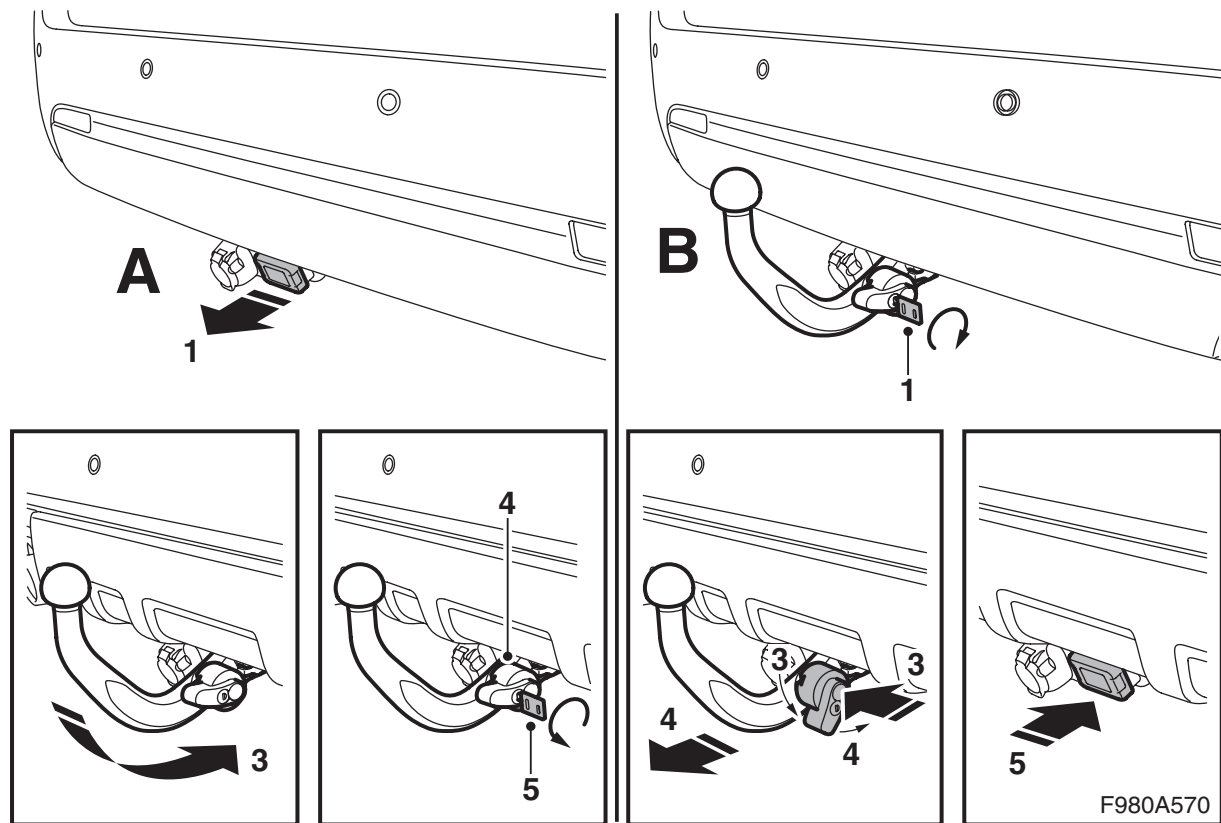


F3L12  
021212

## List of components

No.	Name position
<b>Components</b>	
13	Lamp, parking light, trailer
22	Main dashboard fuse box, on the short side of the instrument panel near the left-hand door
27	Lamp, direction indicators, trailer
30	Lamp, brake lights, trailer
32	Lamp, reversing lights, trailer
33	Lamp, rear fog lights, trailer
258	Connector, towbar wiring harness, in the luggage compartment electrical distri- bution box
701	Luggage compartment electrical distribution box, on the wall behind the left rear wheel hous- ing
731	Trailer control module, in the luggage compartment electrical distri- bution box
<b>102-pin connector</b>	
H102-1	Lower left-hand A-pillar
<b>Crimp connections</b>	
J	Approx. 160 mm from the 13-pin connector
J67	<b>LHD:</b> Approx. 150 mm from branching point front left floor lighting towards connector H102-1 <b>RHD:</b> Approx. 50 mm from branching point grounding point G40 towards grounding point G41
<b>Grounding points</b>	
G3	In the luggage compartment below the left- hand light cluster





**User instructions**  
(keep in the car's Owners Manual)

**⚠ WARNING**

To ensure that the towbar is coupled **correctly and safely**:

- **Always** fit the protective cover when the towball unit is not attached.
- It must **always** be possible to detach and attach the towball unit without it jamming.

**Important**

If the trailer is equipped with extra electrical equipment in addition to normal outer lighting (e.g. inner lighting or fan) and connected to the car via the trailer's connector, the trailer must be equipped with a 13-pin connector (installed according to ISO 11446) in order to allow for a separate power supply.

**Important**

**Cars with SPA:** The SPA system will compensate for the towbar in measuring the distance behind the car irrespective of whether the ball unit is fitted.

**A. Fitting the ball unit**

- 1 Remove the protective plug.
- 2 Fit the ball unit into the bracket.
- 3 Press the ball unit forwards and downwards so that the knob is automatically turned anticlockwise and a loud "click" can be heard.
- 4 Check that the only colour visible in the knob is green.
- 5 Align the key in the lock and turn the key a half turn anticlockwise to lock the knob and remove the key.

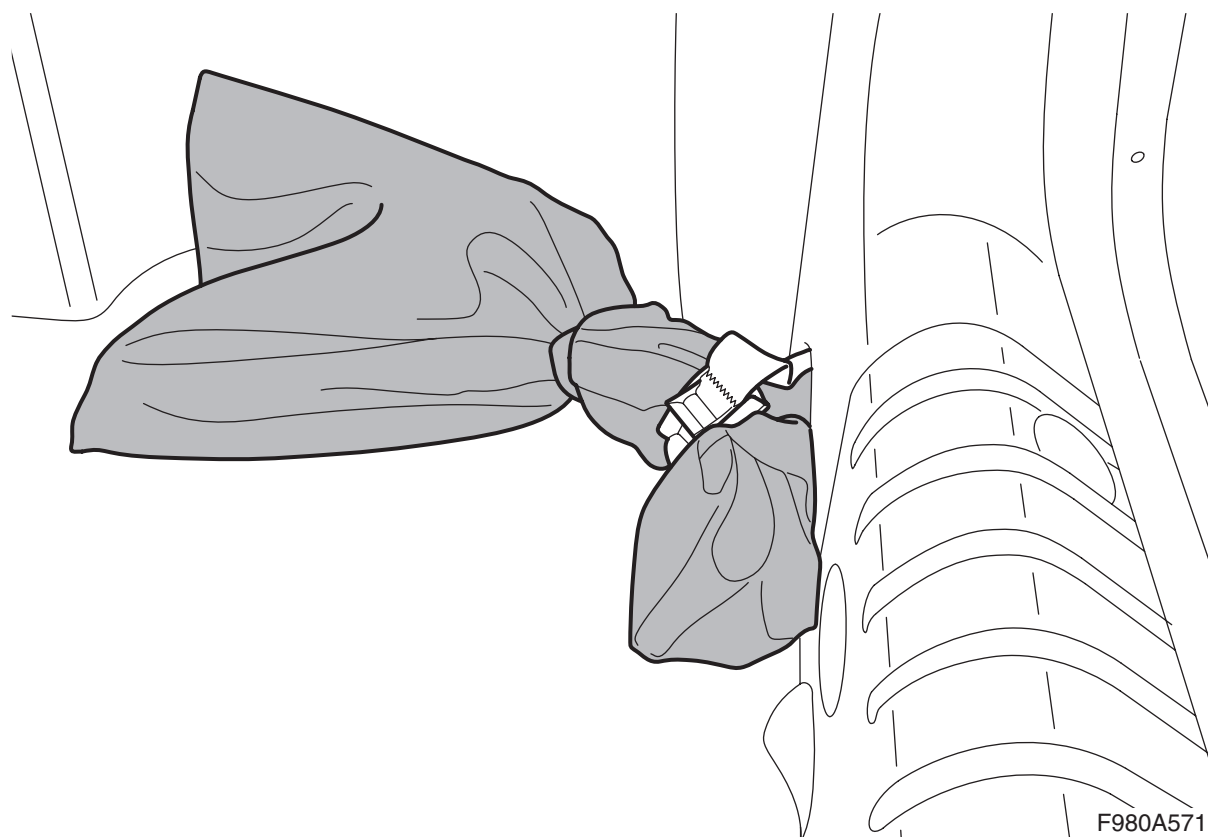
**⚠ WARNING**

Green should be the only colour shown in the socket at the knob.

Tug on the ball unit to make sure it is properly secured.

**B. Removing the ball unit**

- 1 Align the key in the lock and turn the key a half turn clockwise to unlock the knob.
- 2 Remove the key.
- 3 Press in the knob, hold it depressed and turn it clockwise until a click sound is heard.
- 4 Continue to turn anticlockwise and at the same time pull out the ball unit backwards and upwards.
- 5 Fit the protective plug where the ball unit was previously fitted.
- 6 The removed ball unit must be stored in the spare wheel well in accordance with separate instructions.



---

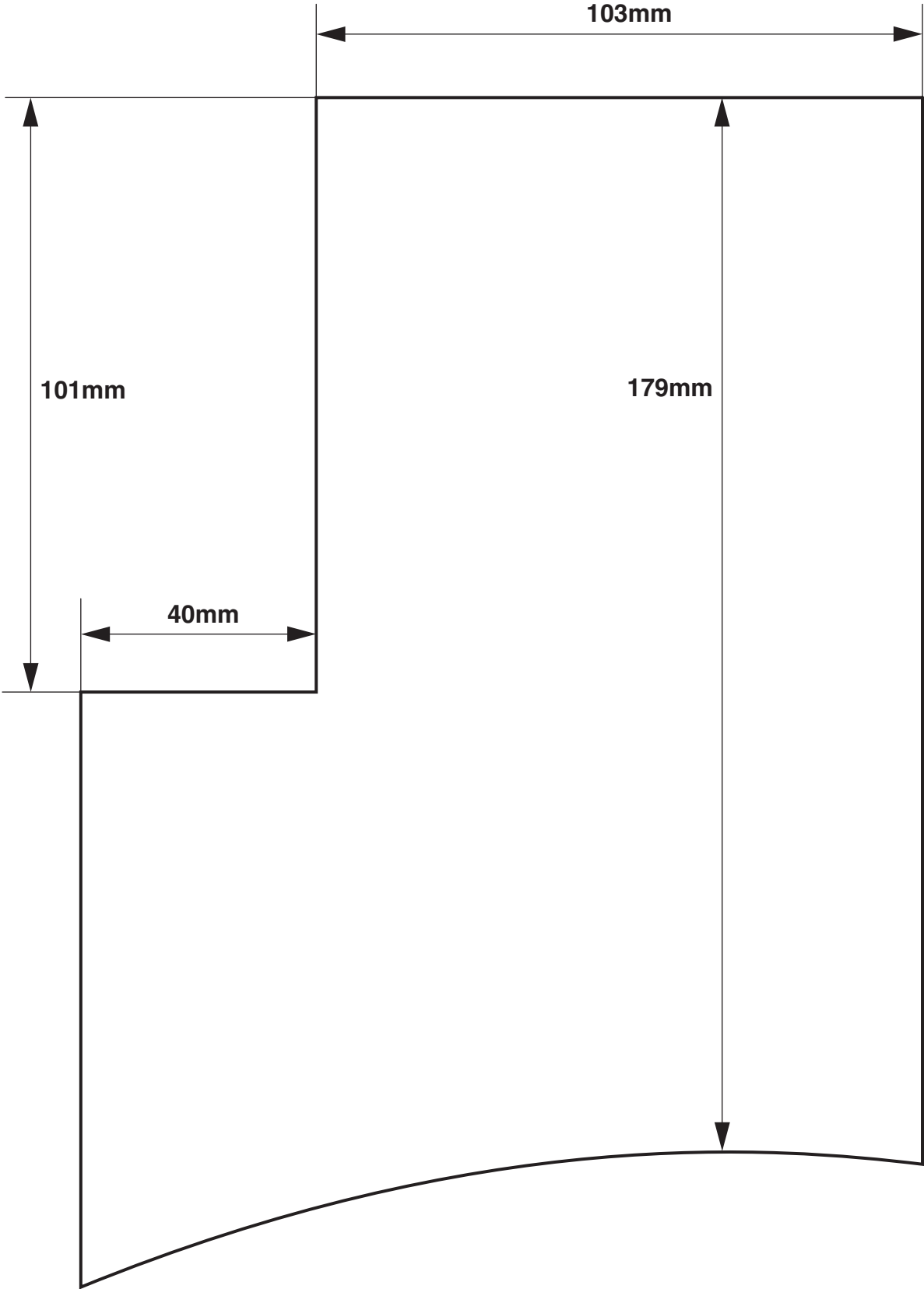
**Important**

On the occasions when the ball unit is dismantled, it must be fitted in the spare wheel well. If the car is equipped with large spare wheel then the ball unit must be strapped into one of the luggage compartment's load-securing eyelets.

---



Template



F980A572