



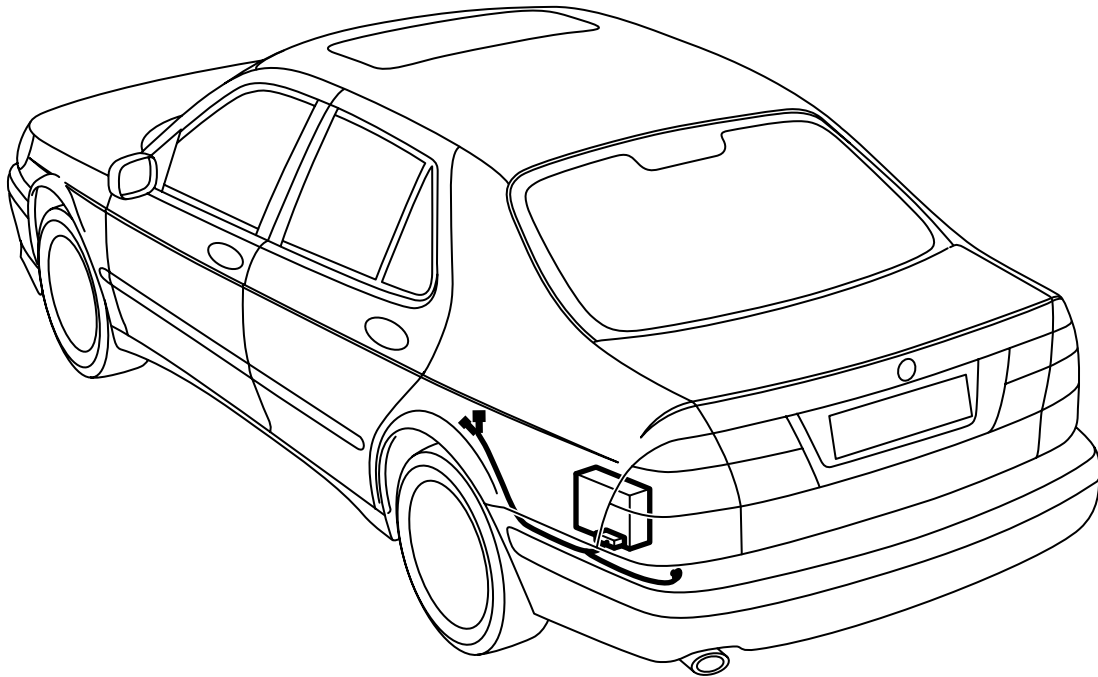
SAAB

**MONTERINGSANVISNING · INSTALLATION INSTRUCTIONS
MONTAGEANLEITUNG · INSTALLATIONS DE MONTAGE**

Saab 9-5

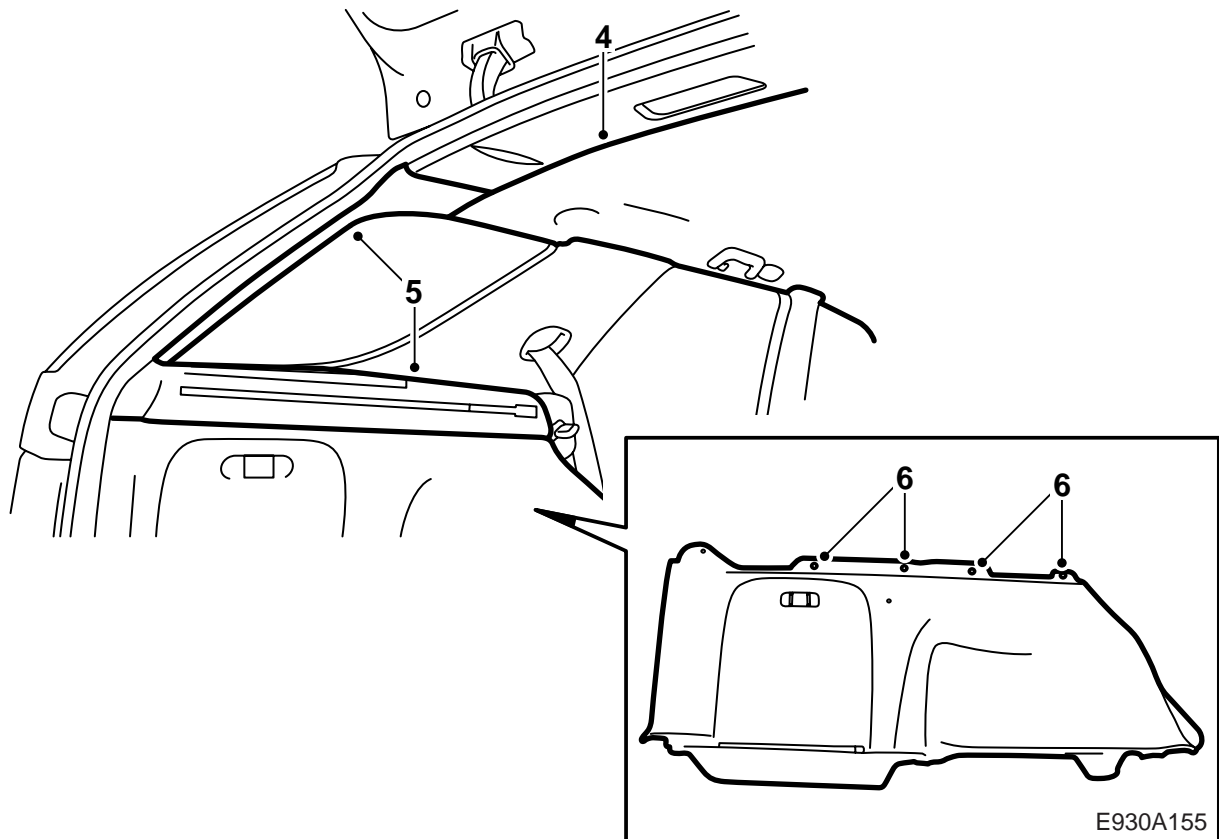
Wiring harness, CD-changer

Accessories Part No.	Group	Date	Instruction Part No.	Replaces
400 129 243	9:36-18	May 00	86 97 567	

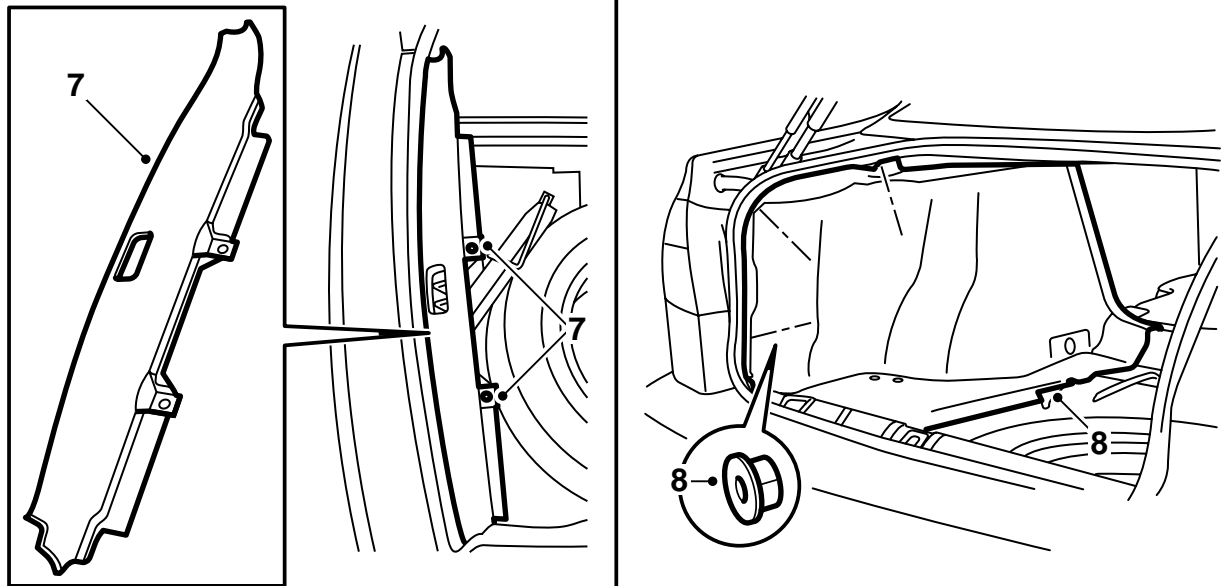


E930A154

- 1 Wiring harness
- 2 Cable ties (3 pcs.)

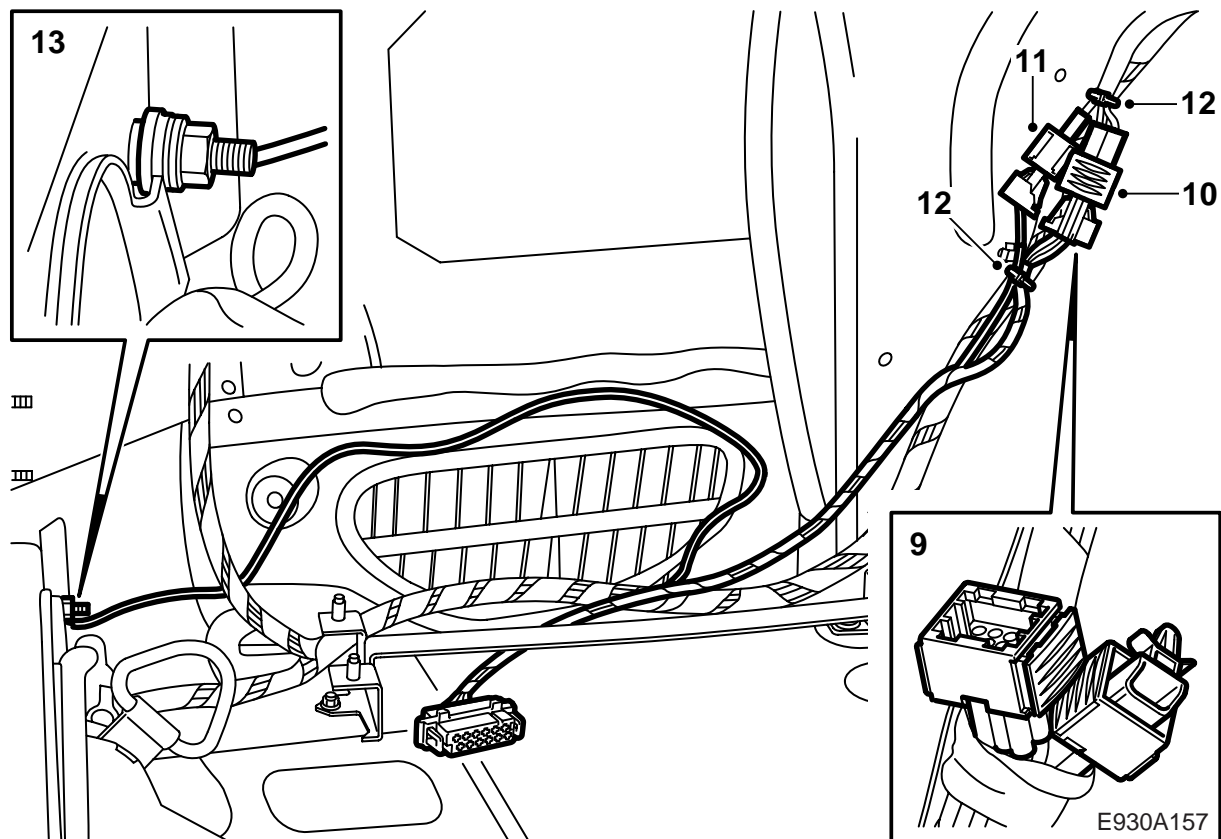


- 1 **5D:** Fold down the left-hand backrest and remove the cover between the left-hand rear door and the backrest.
- 2 **5D:** Remove the luggage cover.
- 3 **5D:** Remove the left-hand storage compartment in the floor.
- 4 **5D:** Remove the rear roof moulding and unplug the connections for the lighting.
- 5 **5D:** Remove the left-hand D-pillar trim and remove the left-hand luggage cover support (3 screws).
- 6 **5D:** Remove the four screws from the upper edge of the side trim and remove the left-hand side trim.

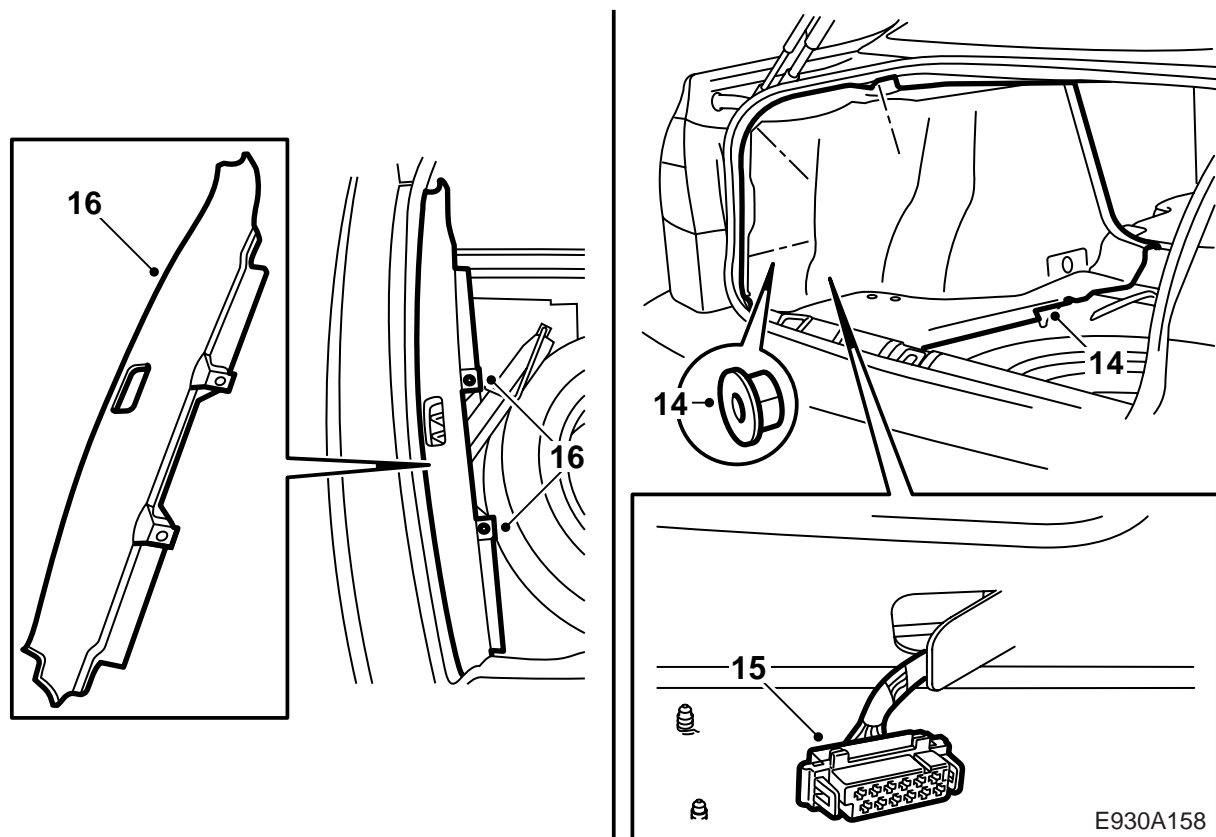


E930A156

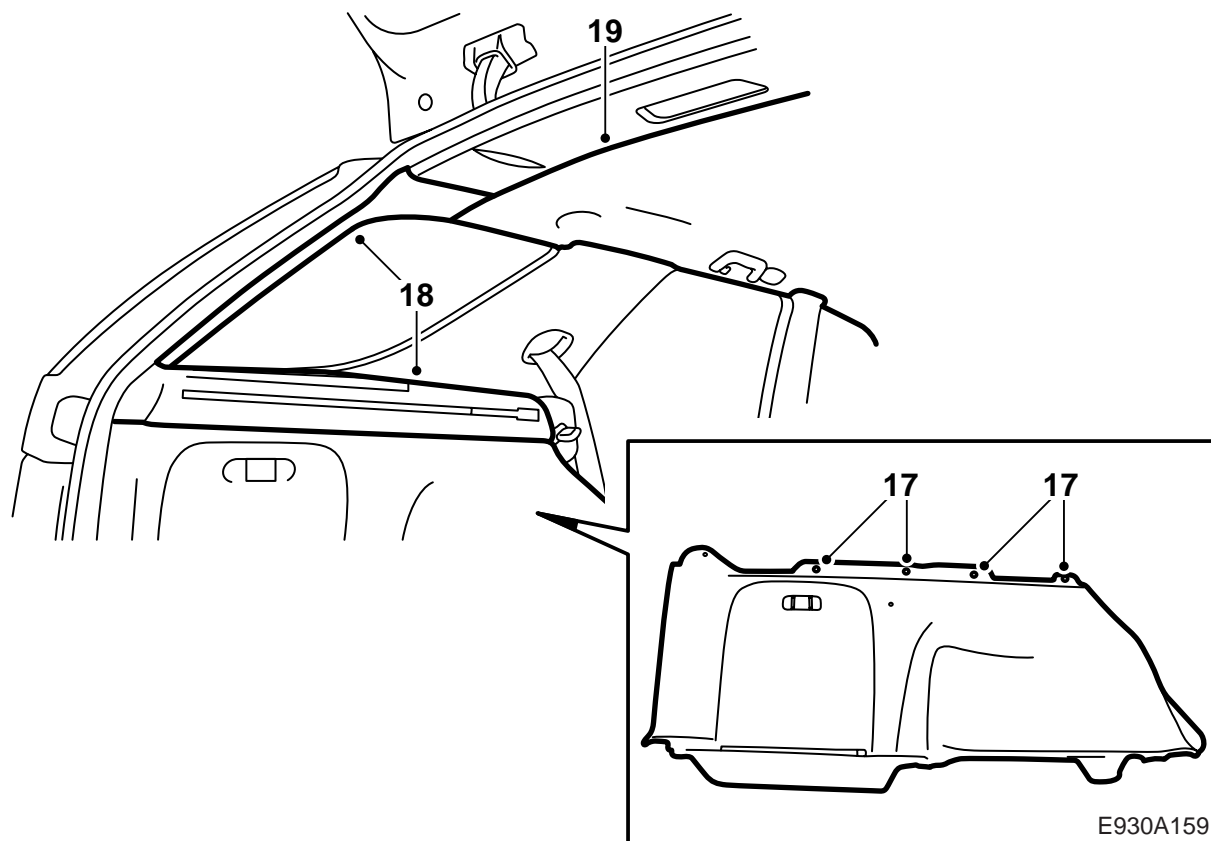
- 7 **4D:** Remove the luggage compartment scuff plate.
- 8 **4D:** Undo and bend aside the left-hand side trim in the luggage compartment.



- 9 Locate and the connectors and remove the tape from them.
- 10 Connect the 6-pole connector of the CD changer wiring harness to the car's 6-pole connector.
- 11 Connect the 2-pole connector of the CD changer wiring harness to the car's 2-pole connector.
- 12 Secure the connectors by putting a cable tie on both sides of the connectors.
- 13 Connect the ground lead of the CD changer wiring harness to grounding point G3.



- 14 **4D**: Position and secure the left-hand side trim in the luggage compartment.
- 15 **4D**: Pull the CD changer wiring harness out through the hole in the side trim.
- 16 **4C**: Fit the luggage compartment scuff plate.



- 17 **5D:** Position the side trim and screw in the four screws in the upper edge.
- 18 **5D:** Refit the luggage cover support (3 screws) and the D-pillar trim.
- 19 **5D:** Press home the roof moulding.
- 20 **5D:** Fit the floor storage compartment.
- 21 **5D:** Refit the luggage cover.
- 22 **5D:** Fit the cover between the left-hand rear door and the backrest and raise the rear seat backrest.