

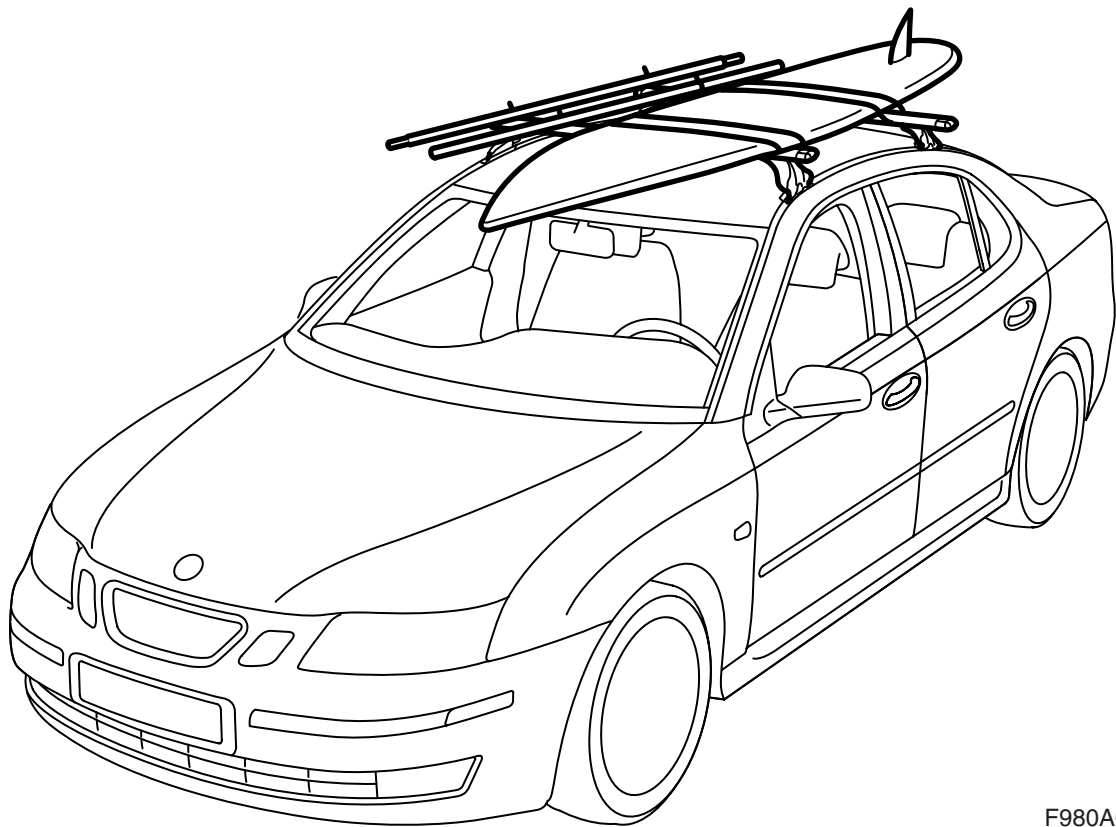


**MONTERINGSANVISNING · INSTALLATION INSTRUCTIONS
MONTAGEANLEITUNG · INSTRUCTIONS DE MONTAGE**

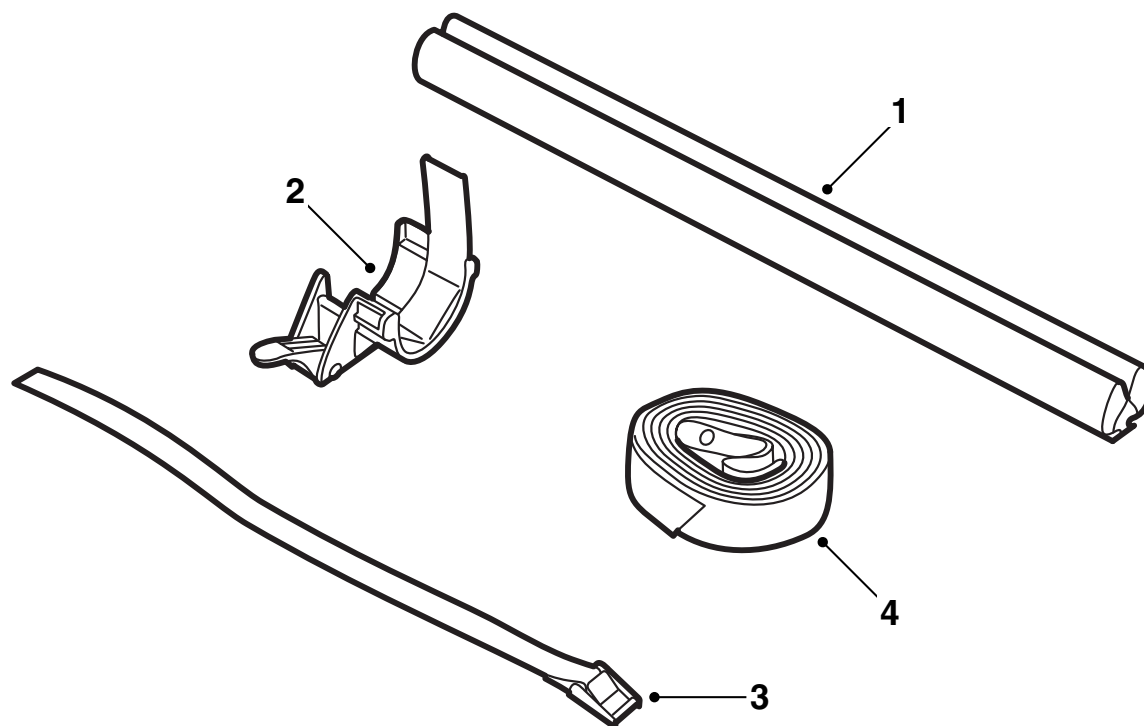
Saab

Surf/sailboard carrier

Accessories Part No.	Group	Date	Instruction Part No.	Replaces
12 788 491 400 131 173	9:89-10	Apr 04	12 792 693 (55 20 846)	12 792 693 Apr 02



F980A067



F980A068

- 1 Rubber moulding (x2)
- 2 Mast holder (x4)
- 3 Strap (x4)
- 4 Strap (x2)

Important

 **WARNING**

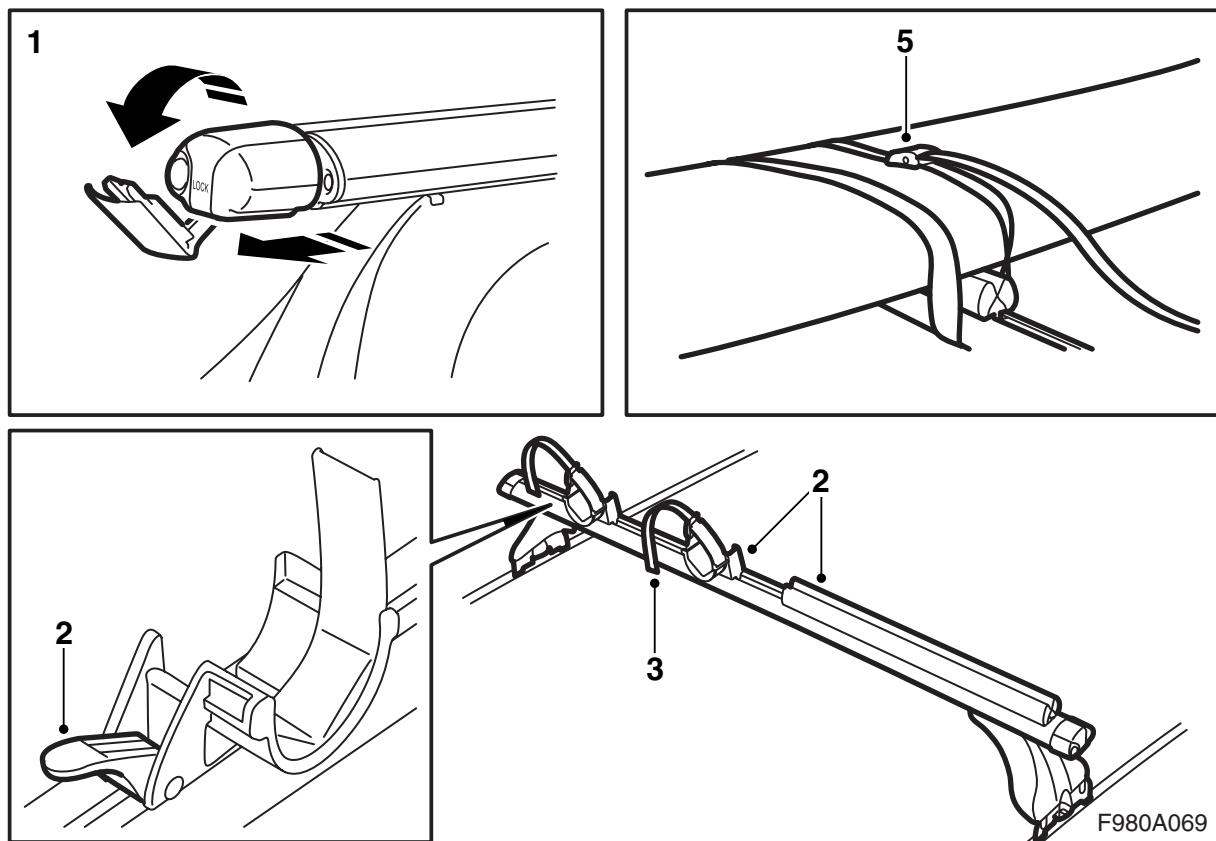
Read the installation instructions carefully before using the surf/sailboard carrier. Carefully follow these instructions when fitting the surf/sailboard carrier and keep them in the car for future reference.

Adapt the speed of the car to take into account the change in centre of gravity and aerodynamics caused by the weight and profile of the roof load.

- Do not fit or use the carriers until these installation instructions are fully understood.
- The carriers are constructed for safe transport provided that they have been properly mounted. **Product modifications must not be made.**
- Maximum permitted roof load (including load carrier): See the Owner's Manual for the car and information relating to the load carriers.
Surf/sailboard carrier weight: 1.1 kg (2.5 lbs).
- Note that the car's handling characteristics (during strong crosswinds, cornering or braking) are altered while driving with a loaded carrier.
- For safety reasons and to reduce wind resistance, the carriers should be removed when not in use.
- Remove the bike carrier before washing the car in an automatic car wash.
- Saab Automobile AB is not responsible for damages caused by improperly mounted load carriers or accessories.
- When in doubt, contact your Saab dealer.
- These installation instructions should be stored in the car.

Advice and tips

- No modifications should be made to the carriers.
- Be sure to distribute the load weight equally on the carriers. A surf/sailboard should be placed bottom side up pointing forwards. Two surf/sailboards can be transported if they are stacked.
- Masts should be transported with the tip pointed forwards.
- The carriers must only be used for transport of surf/sailboards and masts.
- Make sure all fasteners are secured before driving. Stop after a short distance and check all the fasteners.
- Keep the carriers free from dirt and salt and perform regular maintenance.



- 1 Pull out the load carrier end plugs and fold down the centre section.
- 2 Insert the mast holders and rubber mouldings into the load carrier grooves. Lock the mast holder in position with the lever.
- 3 Fit the short straps (x4) in the mast holder groove.
- 4 Fold up the centre section of the load carrier end plugs and insert the end plugs.
- 5 Secure the surf/sailboard and mast using the straps.

These installation instructions should be stored in the car.