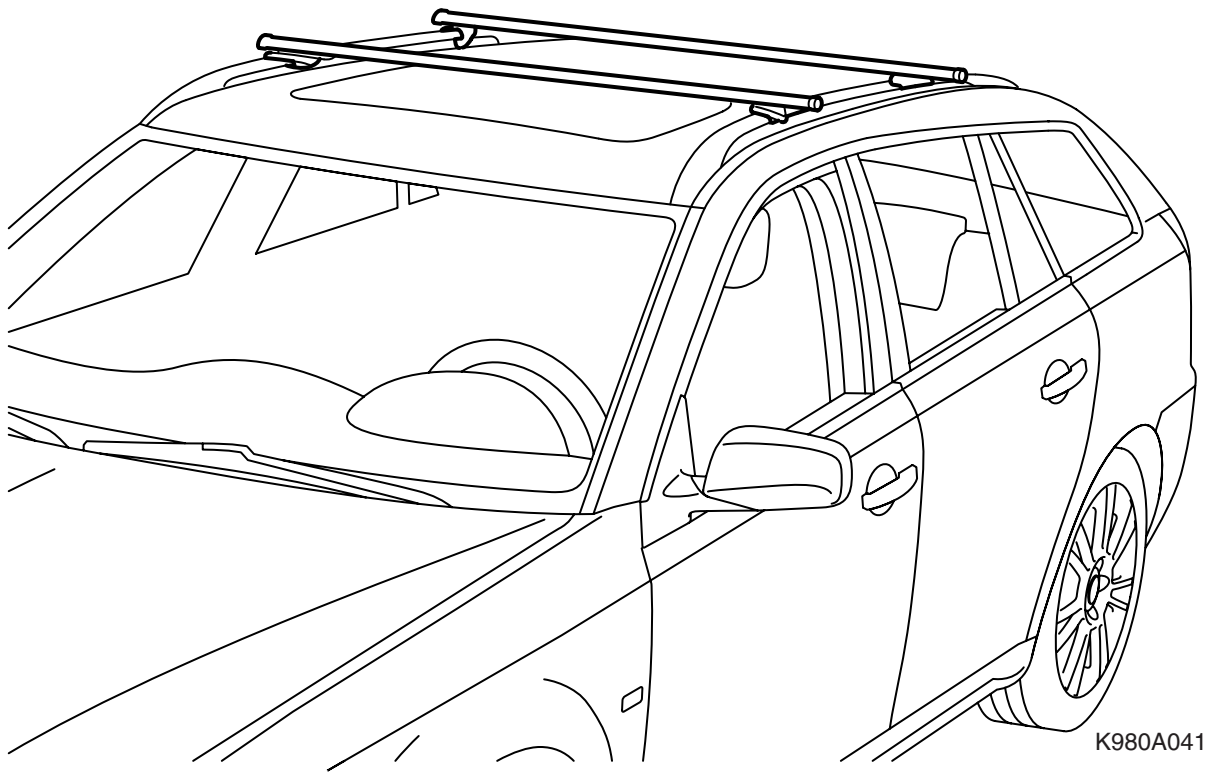


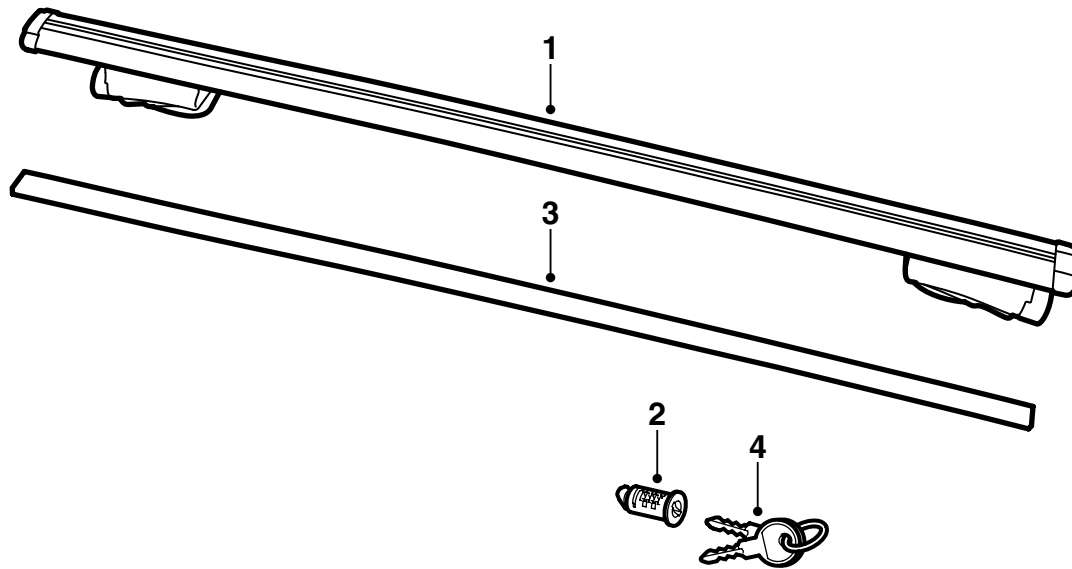


**MONTERINGSANVISNING · INSTALLATION INSTRUCTIONS
MONTAGEANLEITUNG · INSTRUCTIONS DE MONTAGE**

Load carrier

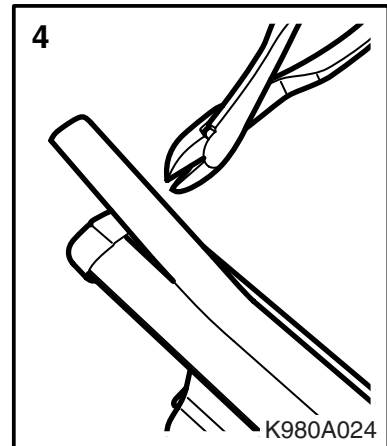
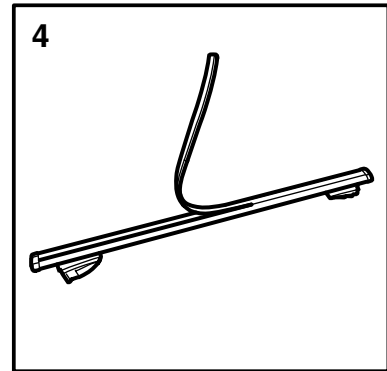
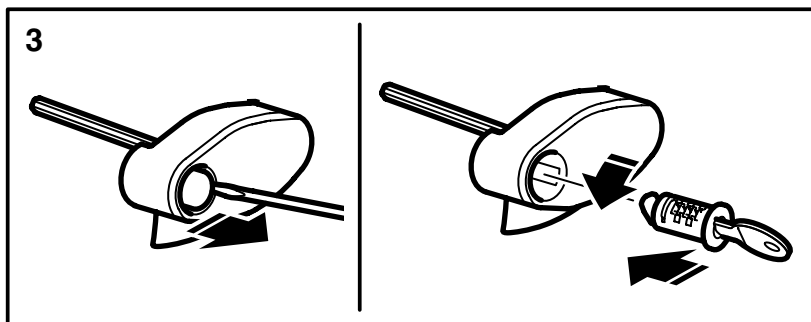
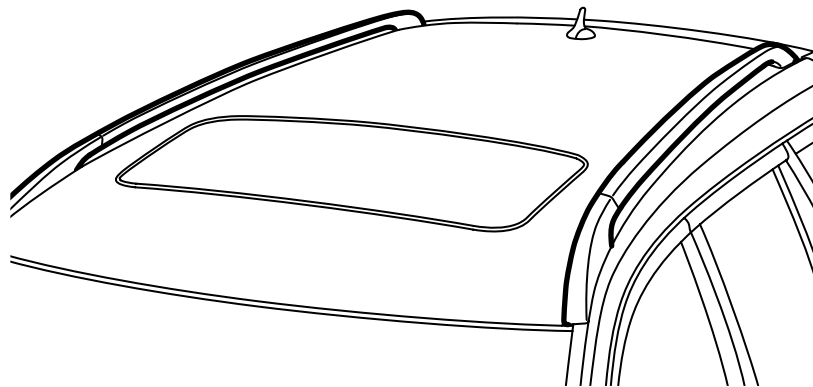
Accessories Part No.	Date	Instruction Part No.	Replaces
32 025 873 32 026 011 32 026 012	Mar 08	32 026 195	32 026 195 Jun 07





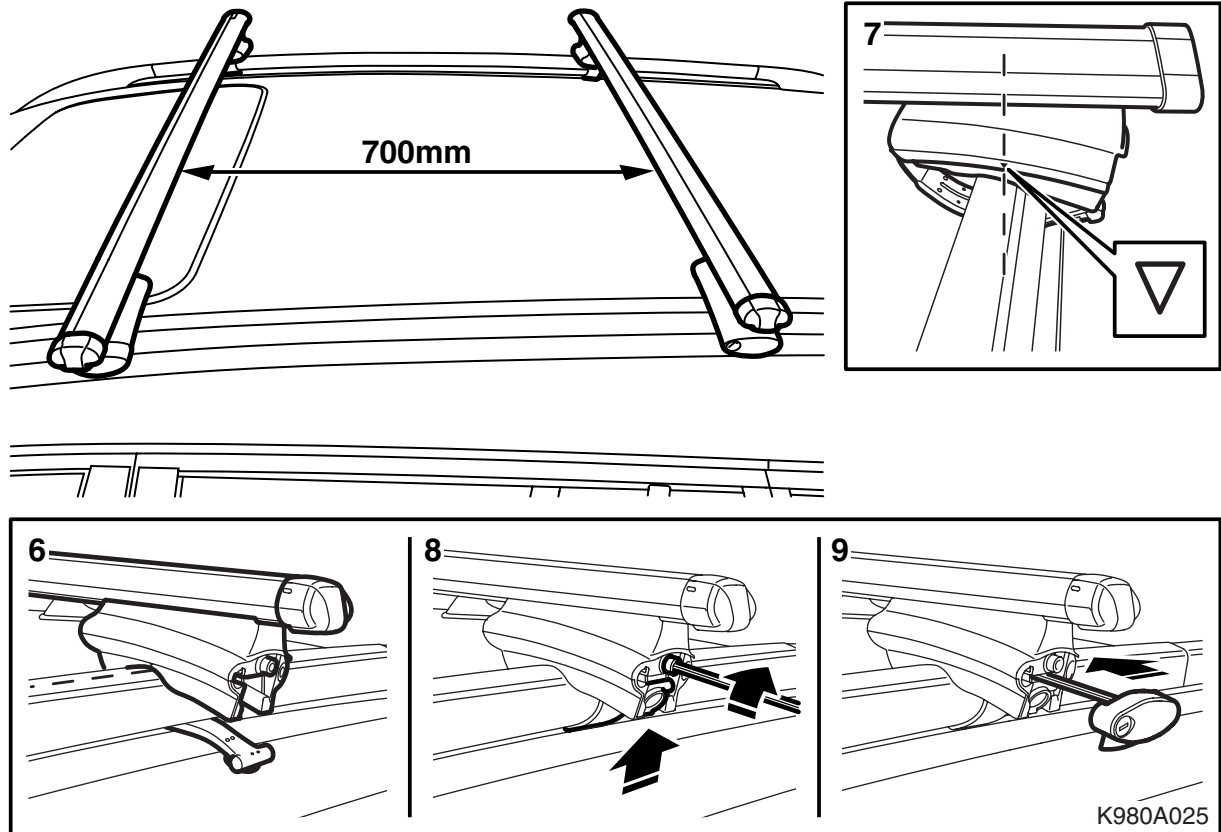
K980A023

- 1 Load carriers (x2) (long front, short rear)
- 2 Lock cylinder (x4)
- 3 Strip (x2) (only in kits 32 025 873 and 32 026 012)
- 4 Key (x2)

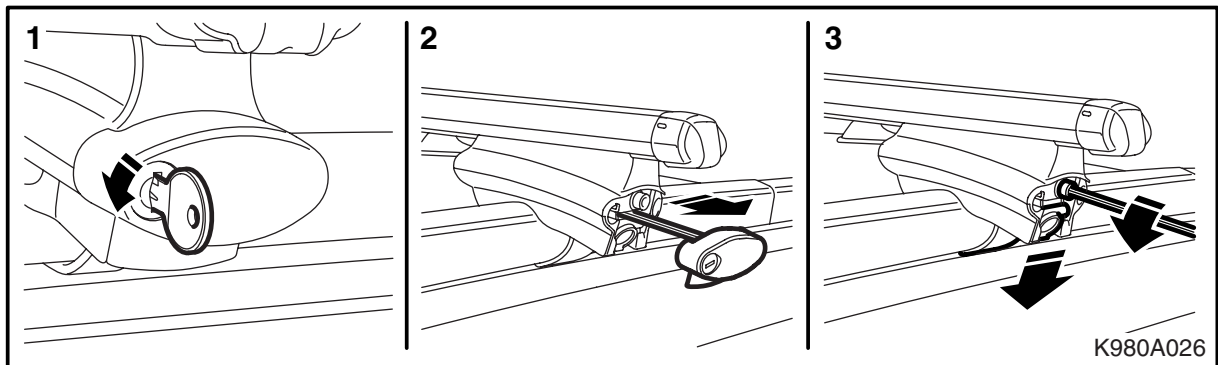
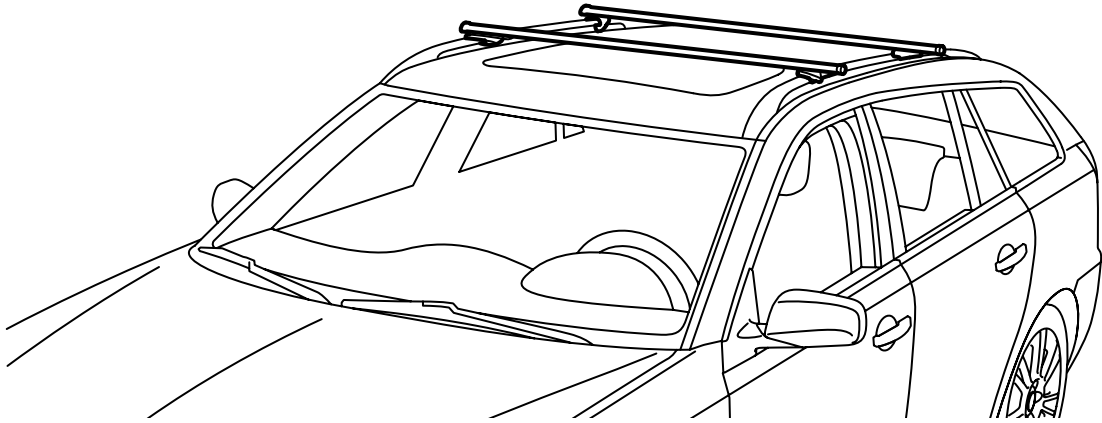


To fit

- 1 Check that all parts are included.
- 2 Clean the car's roof and the parts of the product that come into contact with the roof.
- 3 Fit the lock cylinders by removing the round cover and pressing the lock cylinder into the hole, and secure it by turning anticlockwise.
- 4 Install the rubber strip in its groove and trim to the right length (only applies in kits 32 025 873 and 32 026 012).
- 5 Start the installation on the left-hand side of the car.



- 6 Carefully position the load carrier on the roof bar. Fold the rubber tab under the roof bar.
- 7 Make sure that the foot is in the centre of the roof bar and that an equal amount of the bar protrudes on each side.
The distance between the load carriers should be at least 700 mm.
The distance from the roof bar's front foot should be between 150-200 mm.
- 8 Secure the rubber tab in the foot's groove on the outside. Screw in the foot by hand using the tool.
Tightening torque 6 Nm
- 9 Fit the tool in place and lock it in with the key (clockwise).
- 10 Check that the load carriers are firmly secured.



Removing the load carriers

- 1 Unlock the lock by turning the key anticlockwise.
- 2 Remove the tool by pulling it outwards from the foot.
- 3 Undo the screw and press it in until the rubber tab can be released from the foot.
- 4 Lift off the load carrier.

User instructions

(Keep in the car's Owners Manual)

 **WARNING**

The following advice should be read through before you start to load/drive off in order to minimise the risk of an accident/personal injury if the roof load should loosen while driving. Adapt vehicle speed according to the load and remember that a higher centre of gravity changes the vehicle's handling characteristics.

To fit

- After each installation, check that the load carriers are firmly fitted onto the roof. Try to dislodge the load carriers from their position. Also try to pull the clamp from the edge of the roof. If either of these is possible then the load carrier must be tensioned further. This test should be carried out regularly.
- Modifications must not be made.

Loading

- The specified maximum load must not be exceeded. Observe the maximum permitted load specified in the Owner's Manual.
- The load must not significantly exceed the width of the load carriers, but instead it must be distributed evenly across the load carrier, with as low a centre of gravity as possible.
- When several surfboards are being transported they must not be loaded abreast of each other, but loaded above each other instead.
- When transporting long objects, they must be secured both front and rear of the vehicle.
- Skis must be transported with the tips pointing backwards.
- All loose and detachable parts on the load must be removed.
- The load must be firmly tensioned. Elastic tensioning straps must not be used.
- The tensioning of the load must be checked after a short distance and then at suitable intervals. Tighten the load if necessary.

Handling characteristics and regulations

- Speed must be adapted to the load being carried and to the prevailing conditions such as road surface, wind conditions, the condition of the road, traffic and the speed regulations in force.
- Pay particular attention to the fact that the height of the vehicle increases when transporting loads in an upright position.
- The vehicle's handling and braking characteristics and its sensitivity to side winds are changed by means of the roof load.
- Products equipped with locks must always be locked during a journey.

Care and maintenance

- Check and replace worn or defective parts of the product.
- The load carriers must always be cleaned and maintained, especially during winter.
- Screws, nuts and if necessary the locks must be lubricated at regular intervals.
- The product should be removed when it is not in use.
- When removing the product the loose parts should be stored in an appropriate manner.