

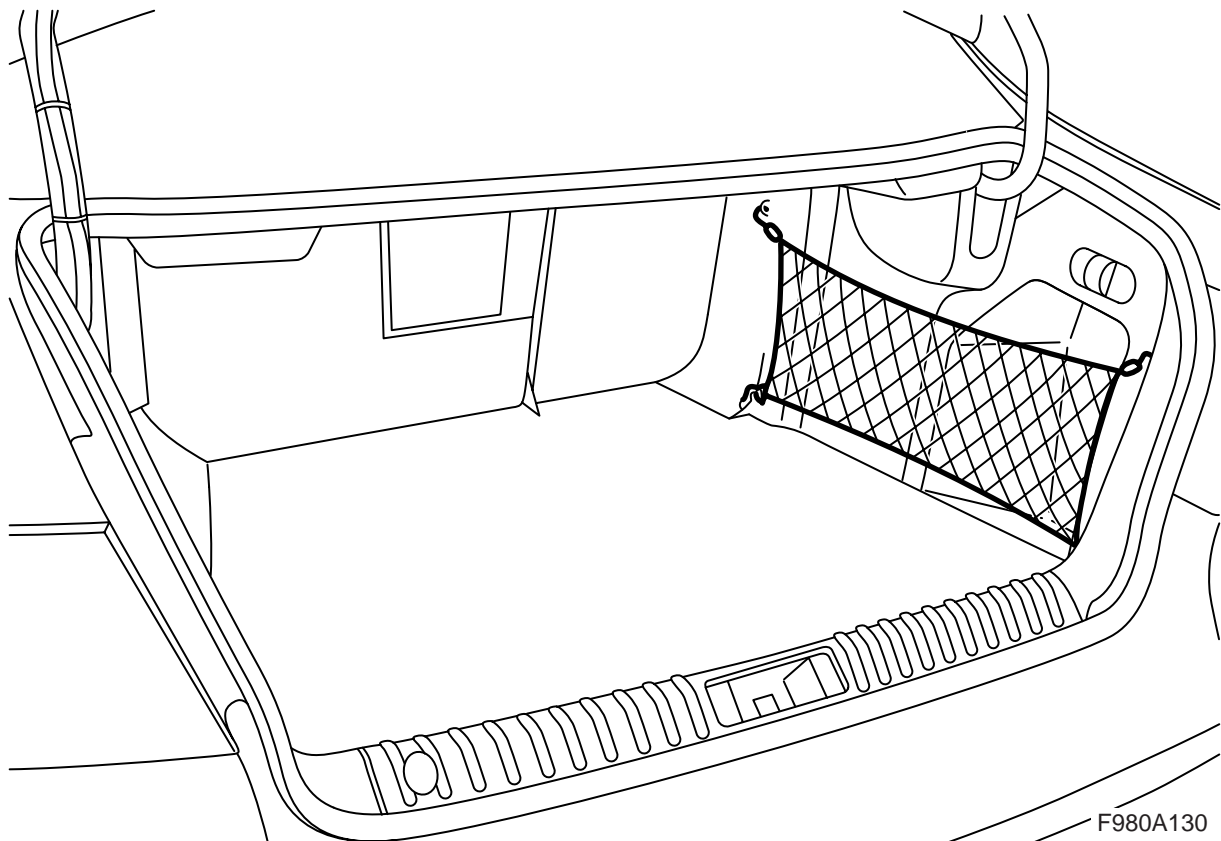


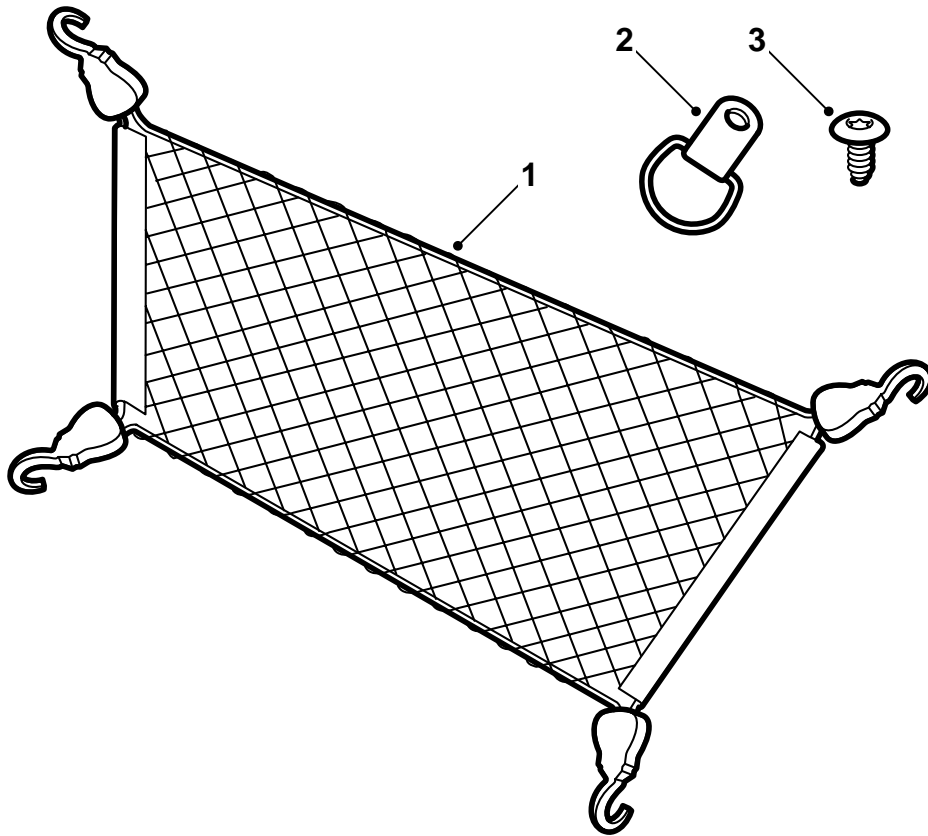
**MONTERINGSANVISNING · INSTALLATION INSTRUCTIONS  
MONTAGEANLEITUNG · INSTRUCTIONS DE MONTAGE**

**Saab 9-3 4D M03-, Saab 9-3 5D M06-, Saab 9-5 5D**

Side-mounted cargo net

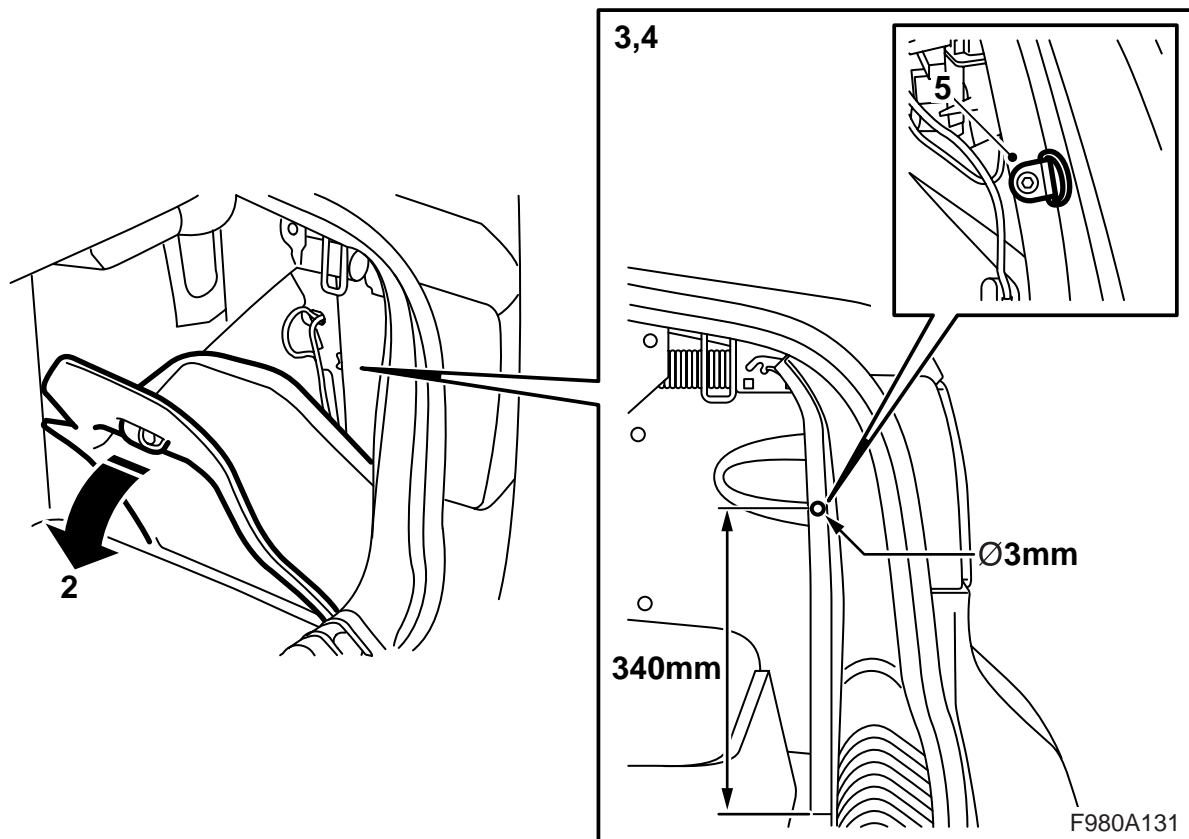
Accessories Part No.	Group	Date	Instruction Part No.	Replaces
12 804 870	9:89-23	Feb 05	12 804 874	12 804 874 Jun 03





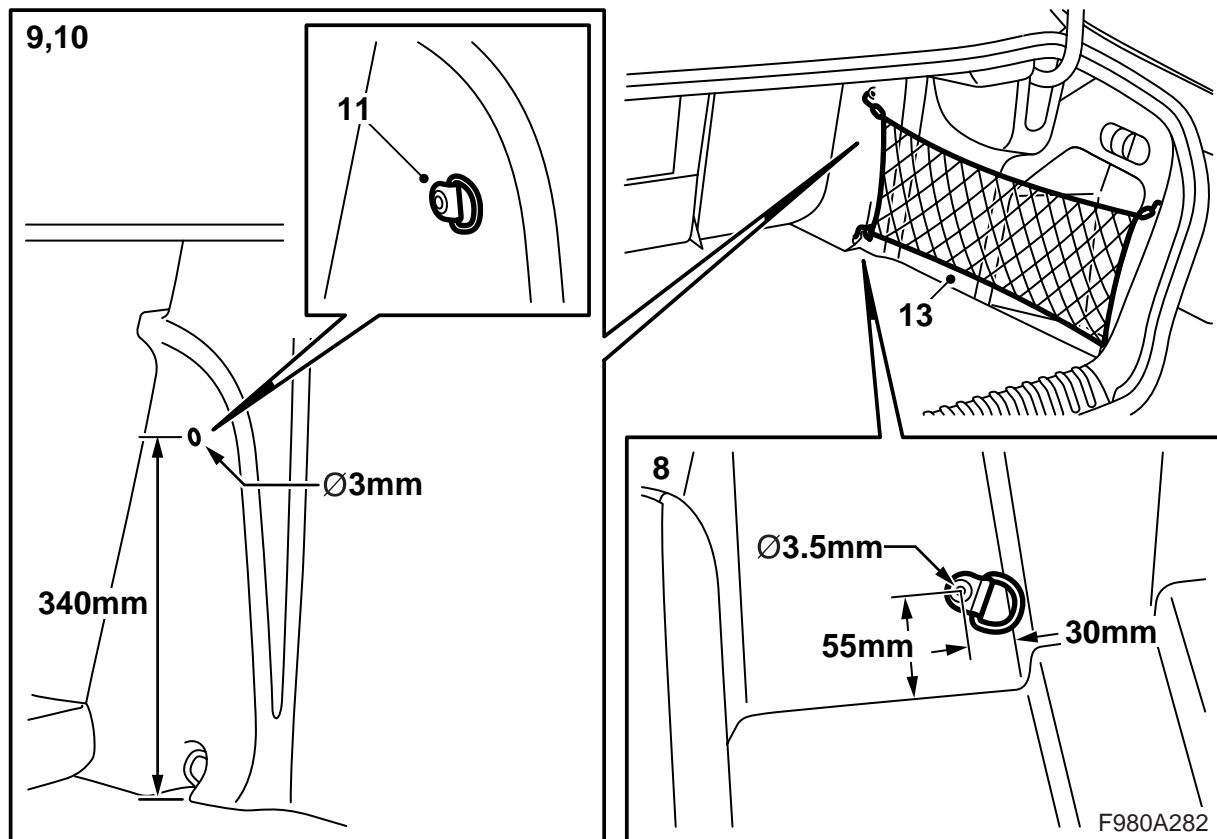
E980A114

- 1 Cargo net
- 2 D-ring (x3)  
(for Saab 9-3 4D M03, Saab 9-3 5D M06- and Saab 9-5 5D only 2 D-rings are required)
- 3 Screw (x3)  
(for Saab 9-3 4D M03, Saab 9-3 5D M06- and Saab 9-5 5D only 2 screws are required)



### Saab 9-3 4D M03-

- 1 Open the boot lid.
- 2 Lower the hatch in the right-hand side trim of the luggage compartment.
- 3 Mark the position of the hole in the right-hand side trim 340 mm above the lower edge of the side scuff plate.
- 4 Use a 3 mm bit to drill a hole in the side scuff plate.
- 5 Mount the D-ring.
- 6 Close the hatch in the right-hand side trim of the luggage compartment.



- 7 Lower the right-hand section of the rear seat backrest.
- 8 **M04-**: Measure from the luggage compartment carpet and mark the position for the lower D-ring in the right-hand side trim.

### Important

If the car has a floor mounted cargo net then the lower front D-ring is already fitted.

Use a 3.5 mm bit to drill a hole and fit the D-ring.

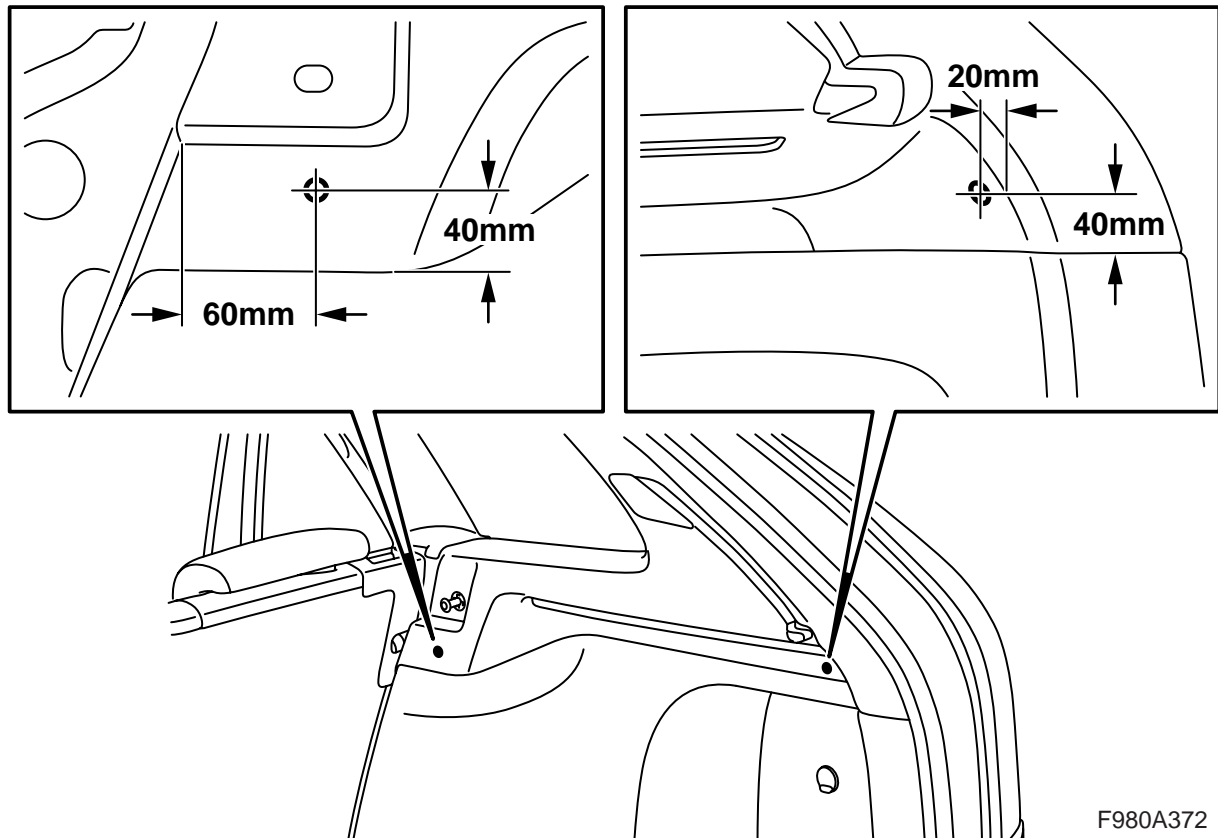
- 9 Mark the position for the upper D-ring in the side trim 340 mm from the luggage compartment floor to a point directly above the front load anchorage.
- **M03**: The load anchorage is welded on.
  - **M04-**: The load anchorage is screwed on.
- 10 Use a 3 mm bit to drill a hole in the side trim.
- 11 Mount the D-ring.
- 12 Fold up the rear seat backrest.
- 13 Hang the cargo net in the D-rings and secure the cargo net hooks in the load anchorages.
- 14 Close the boot lid.

- 15 Place the installation instructions inside the car.

### ⚠ WARNING

The cargo net must not be used for securing loads. The cargo net is only intended to keep lighter objects in place during driving.

All cargo must be properly secured, especially when driving with rear seat folded down. Use straps designed for this purpose, such as 400 111 951 for example.



F980A372

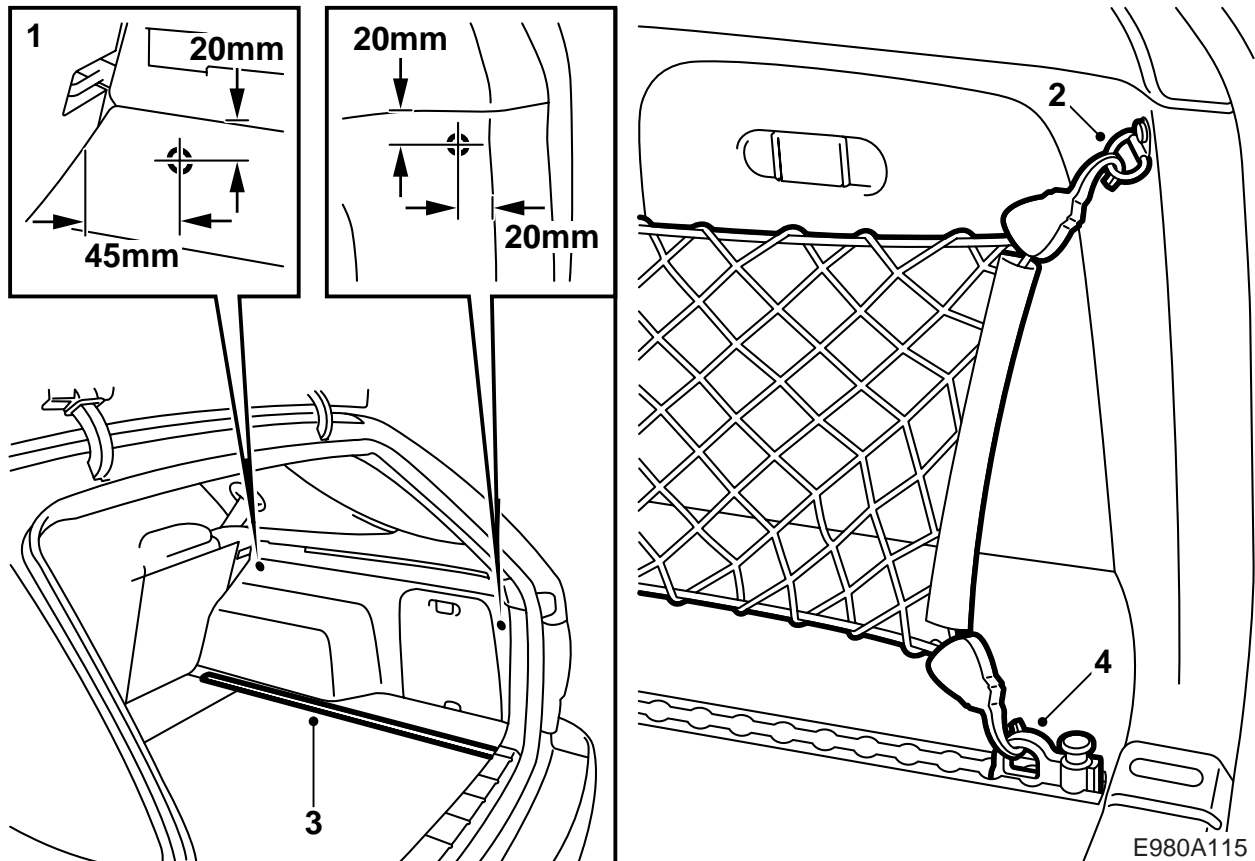
### Saab 9-3 5D

- 1 Drill holes in the side trim, see illustration. Use a 3 mm bit. The longitudinal distance for the rear hole must be measured from the corner of the trim.
- 2 Secure the D-rings in the side trim.
- 3 Hang the cargo net in the upper brackets and secure the cargo net's lower hooks in the load anchorages.
- 4 Place the installation instructions inside the car.

#### **WARNING**

The cargo net must not be used for securing loads. The cargo net is only intended to keep lighter objects in place during driving.

All cargo must be properly secured, especially when driving with rear seat folded down. Use straps designed for this purpose, such as 400 111 951 for example.



### Saab 9-5 5D

- 1 Drill holes in the side trim, see illustration. Use a 2.5 mm bit. The longitudinal distance for the rear hole must be measured from the corner of the trim.
- 2 Secure the D-rings in the side trim so that the screw is situated inside the D-ring.
- 3 Remove the cover moulding from the right-hand load anchorage rail.
- 4 Hang the cargo net in the upper brackets and fit 2 load anchorages in the load anchorage rail under the D-rings in the side trim.
- 5 Secure the cargo net's lower hooks in the load anchorages.
- 6 Place the installation instructions inside the car.

#### **⚠ WARNING**

The cargo net must not be used for securing loads. The cargo net is only intended to keep lighter objects in place during driving.

All cargo must be properly secured, especially when driving with rear seat folded down. Use straps designed for this purpose, such as 400 111 951 for example.