

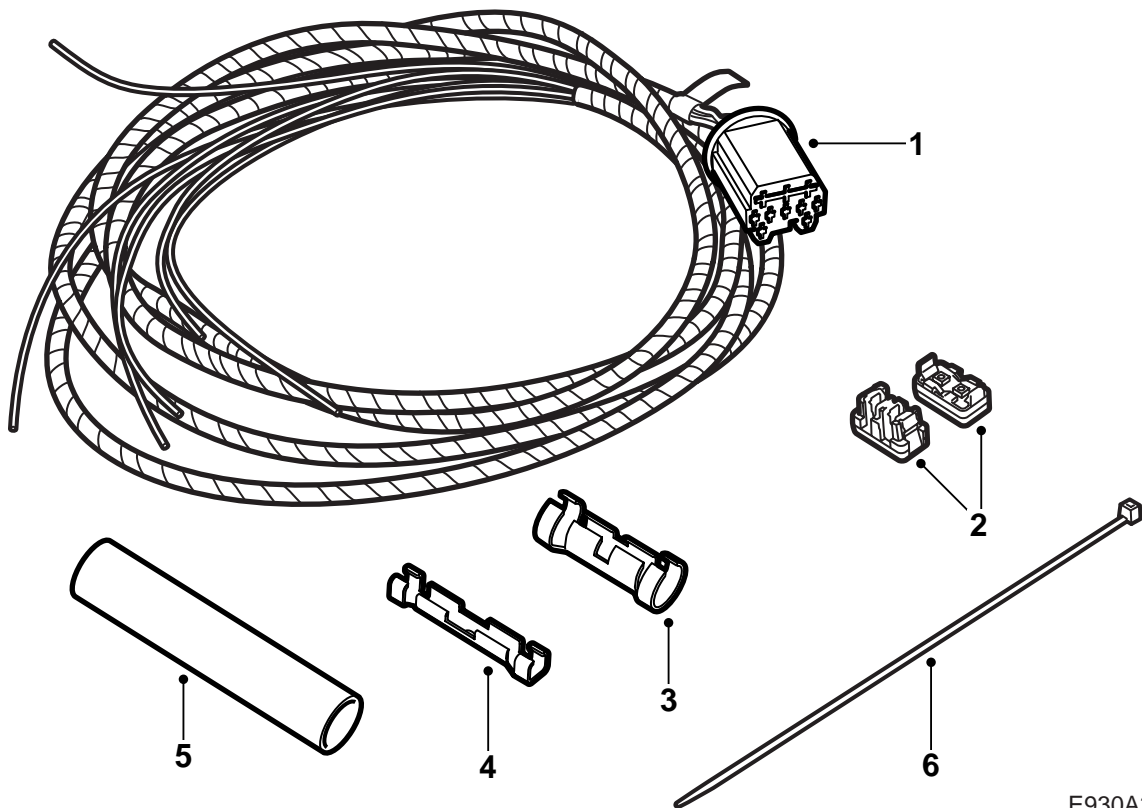


MONTERINGSANVISNING · INSTALLATION INSTRUCTIONS  
MONTAGEANLEITUNG · INSTRUCTIONS DE MONTAGE

## Saab 9-5 M05-

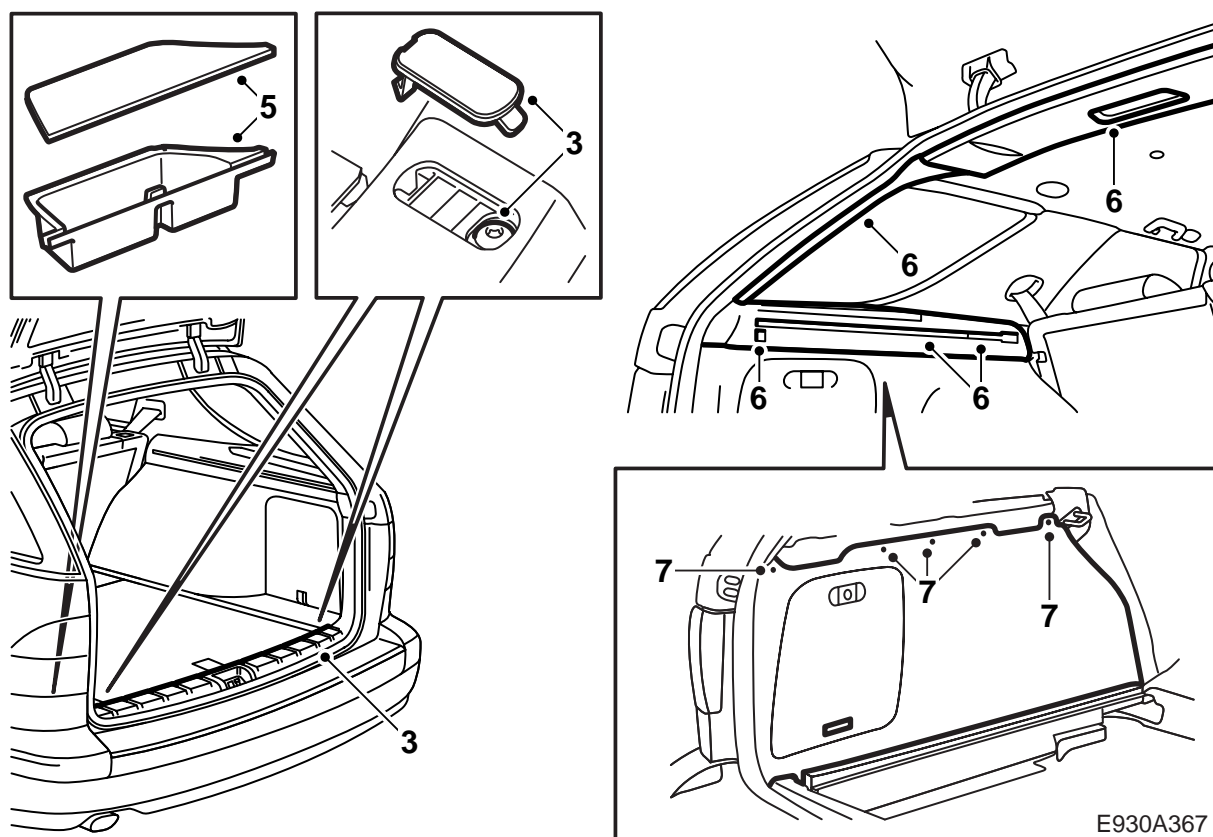
### Wiring harness for towbar

Accessories Part No.	Group	Date	Instruction Part No.	Replaces
32 025 635	9:37-05	May 05	32 025 628	--



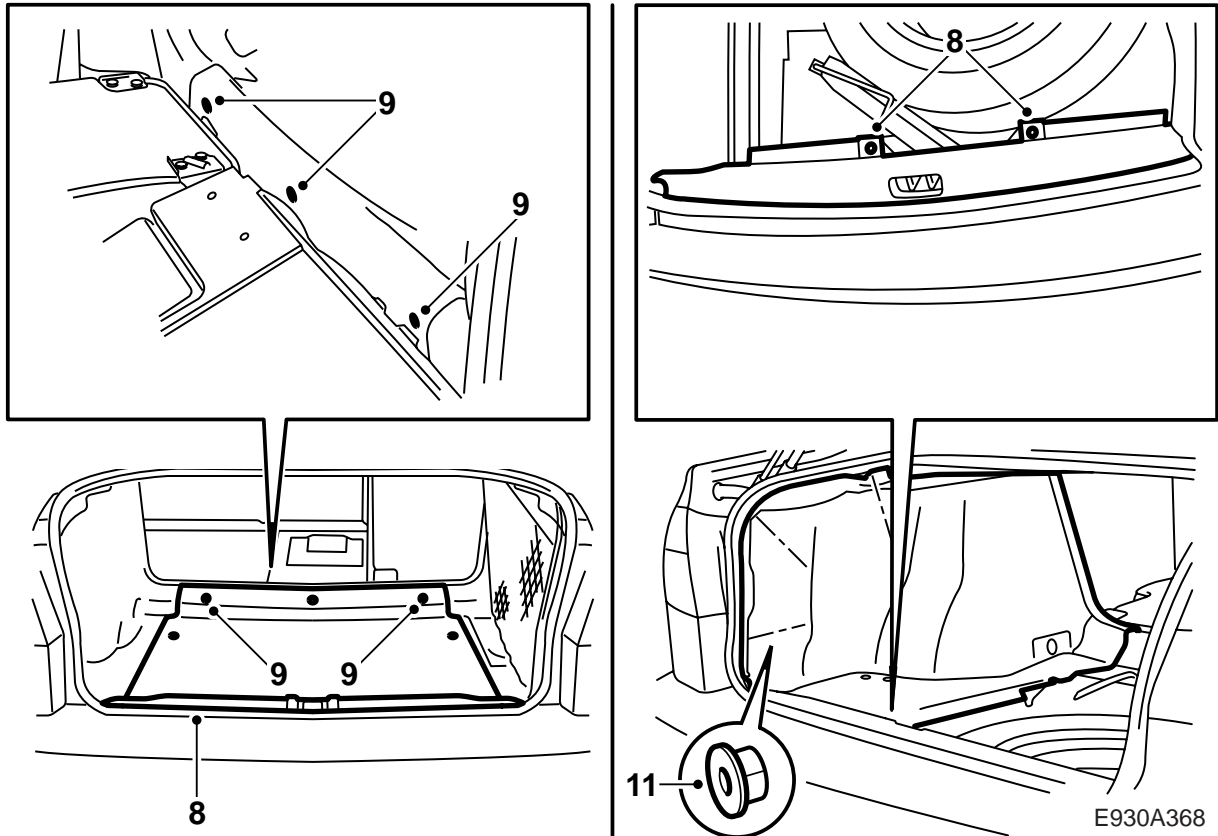
E930A366

- 1 Wiring harness
- 2 Cable connector (x7)
- 3 Crimp sleeve 4 mm<sup>2</sup>
- 4 Crimp sleeve 2.5 mm<sup>2</sup>
- 5 Shrink tube
- 6 Cable tie (x14)

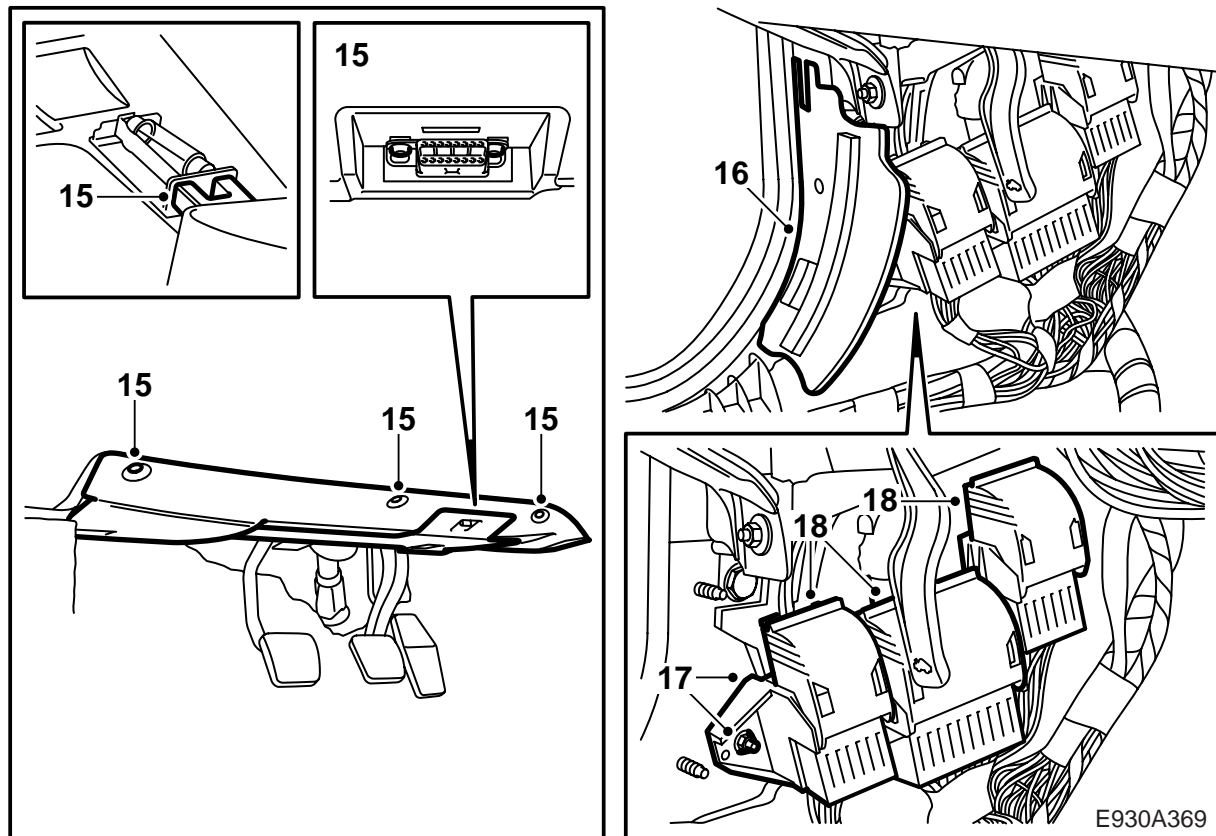


- 1 Remove the battery negative cable.
- 2 **5D**: Remove the cargo guard.
- 3 **5D**: Remove the scuff plate.
- 4 **5D**: Lower the left-hand rear-seat backrest and remove the cover between the left-hand rear door and the backrest.
- 5 **5D**: Remove the left-hand storage compartment in the floor.
- 6 **5D**: Detach the left-hand side of the rear cover, remove the left-hand D-pillar trim and remove the left-hand support for the cargo guard (3 screws).
- 7 **5D**: Remove the screws from top of the left-hand side trim and lift out the left-hand side trim.

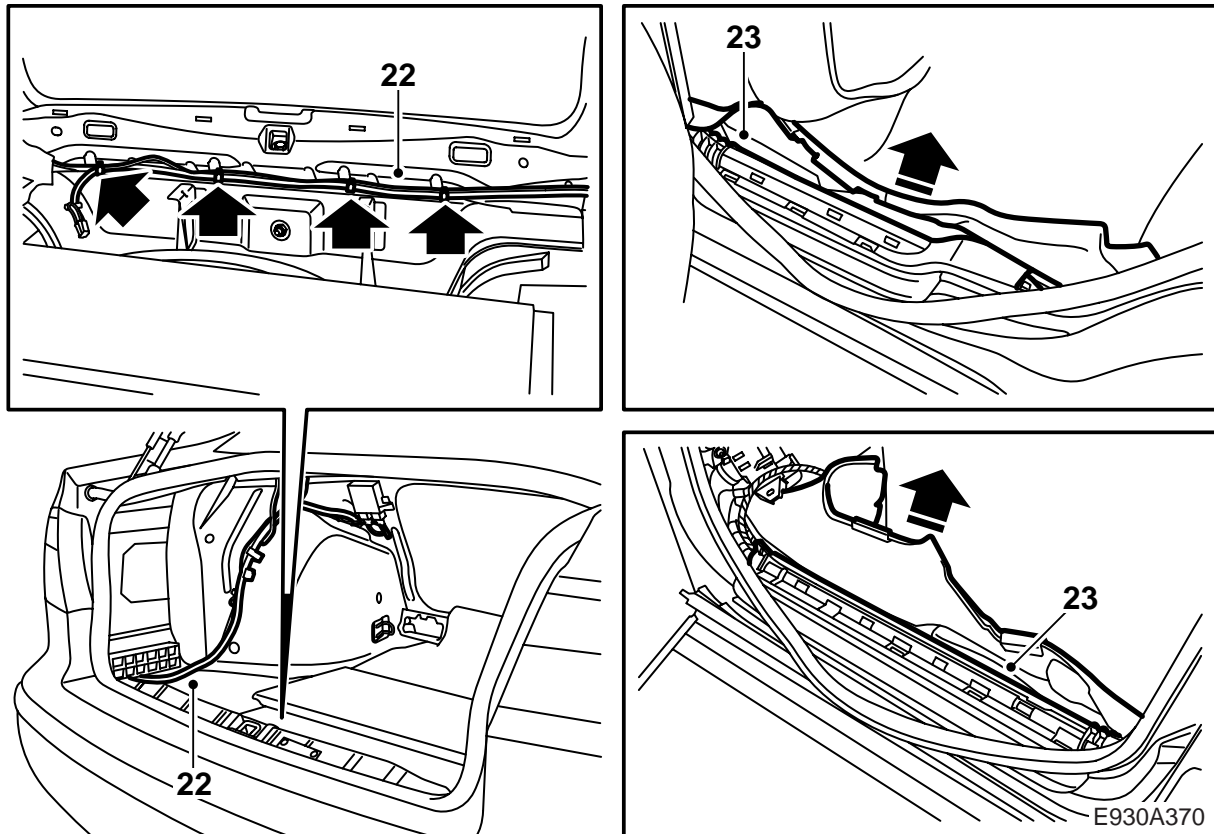
E930A367



- 8 **4D:** Remove the luggage compartment scuff plate.
- 9 **4D:** Remove the floor panel.
- 10 **4D:** Fold the left-hand backrest and remove the screw for the loudspeaker grille.
- 11 **4D:** Remove the left-hand side trim in the luggage compartment.



- 12 Remove the scuff plate for the left-hand rear door and bend out the trim.
- 13 Bend out the trim at foot of the left-hand B-pillar.
- 14 Remove the scuff plate for the left-hand front door and bend out the trim.
- 15 Remove the lower panel cover and fold aside the carpet for the A-pillar
- 16 Remove the connector plate covers.
- 17 Remove the connector bracket, with white, green and blue connectors, from the wall.
- 18 Separate all three connectors.
- 19 Cut off the wiring harness' cable ties and tape at the centre 80-pin connectors in order to improve access.

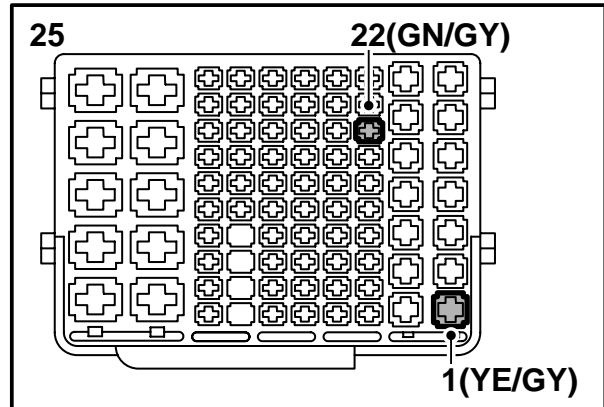
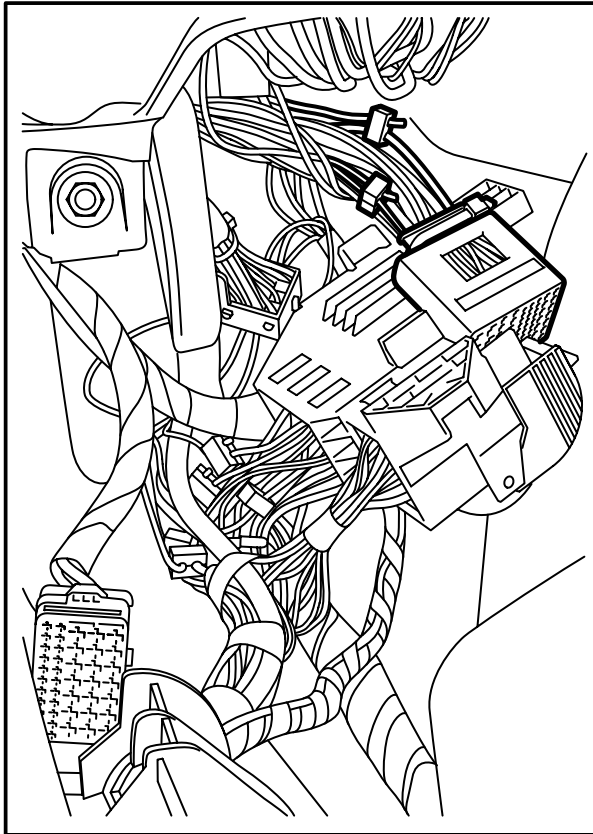


- 20 Fit the installation kit's wiring harness connector on the upper right-hand mounting support in the spare wheel well.
- 21 Route the installation kit's wiring harness along the car's normal wiring harness on the left-hand side up to the connector bracket at the left-hand A-pillar. The RD/WH cable with cable number 3 is routed to the left-hand rear light cluster.

**⚠ WARNING**

The wiring harness must be routed and secured so that it cannot become trapped or chafe against anything when refitting dismantled parts. Incorrect routing could cause damage to the wiring harness and short circuit/fire.

- 22 Secure the wiring harness with cable ties at the mountings for the car's normal wiring harness up to the rear door's cable duct. Check that the rear door's door switch and its connection cable can move unhindered.
- 23 Open the cable ducts at the sills and route the installation kit's wiring harness in the ducts up to the connector bracket. Route the wiring harness under the air duct in the B-pillar. Close the ducts.  
For M05 proceed to step 24.  
For M06- proceed to step 34.

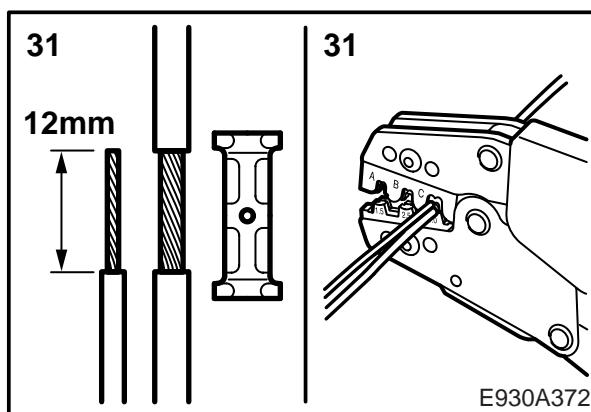
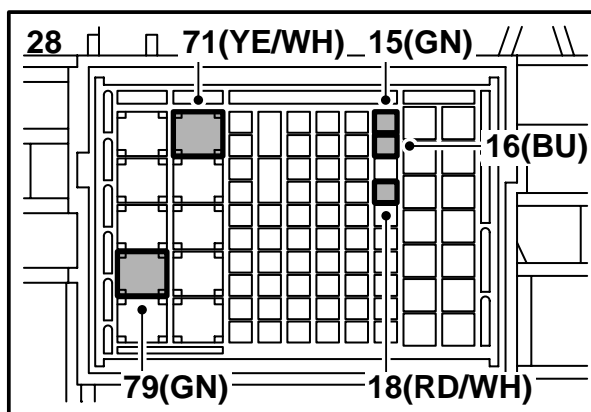
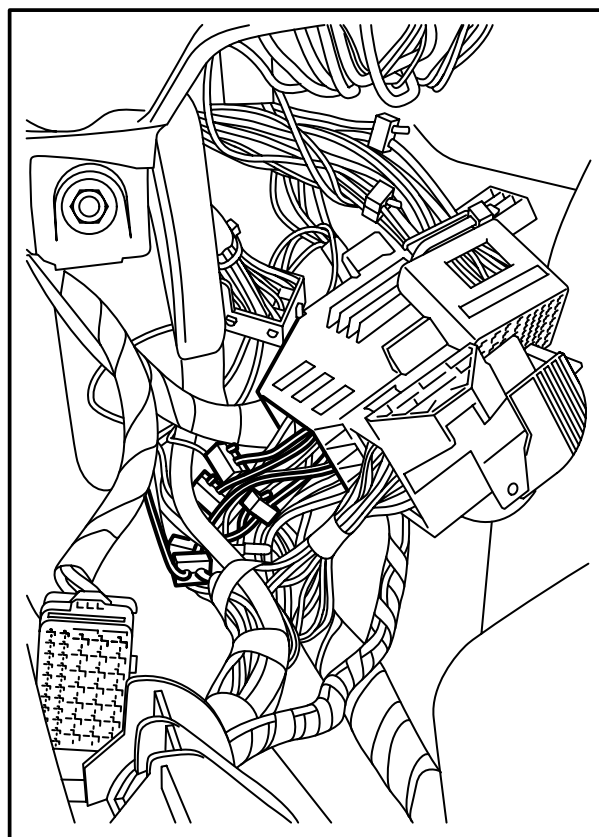


E930A371

- 24 **M05:** Join the following cables using the crimp connectors to the sleeve connector's (upper connector section) wiring harness in accordance with the following:

Installation kit cable number	Position H80-1	Car's cable colour
1	1	YE/GY
22	22	GN/GY

- 25 **M05:** Cut the RD cable that runs to position 2 as close to the connector as possible and thread on the shrink tube.
- 26 **M05:** Join the cable with the installation kit's cable marked 2 using the smaller crimp sleeve. Use the yellow crimping pliers.
- 27 **M05:** Cover with the shrink tube and carefully heat with a hot-air gun.



28 **M05:** Join the following cables using the crimp connectors to the pin connector's (lower connector section) wiring harness in accordance with the following:

Installation kit cable number	Position H80-1	Car's cable colour
15	15	GN
16	16	BU
18	18	RD/WH
71	71	YE/WH
79	79	GN

29 **M05:** Cut the RD/WH cable (belonging to the car's normal wiring harness) from position 18 after the joining sleeve and insulate the cable ends with tape.

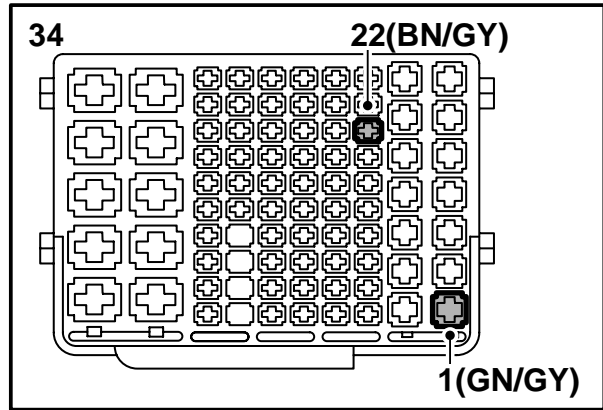
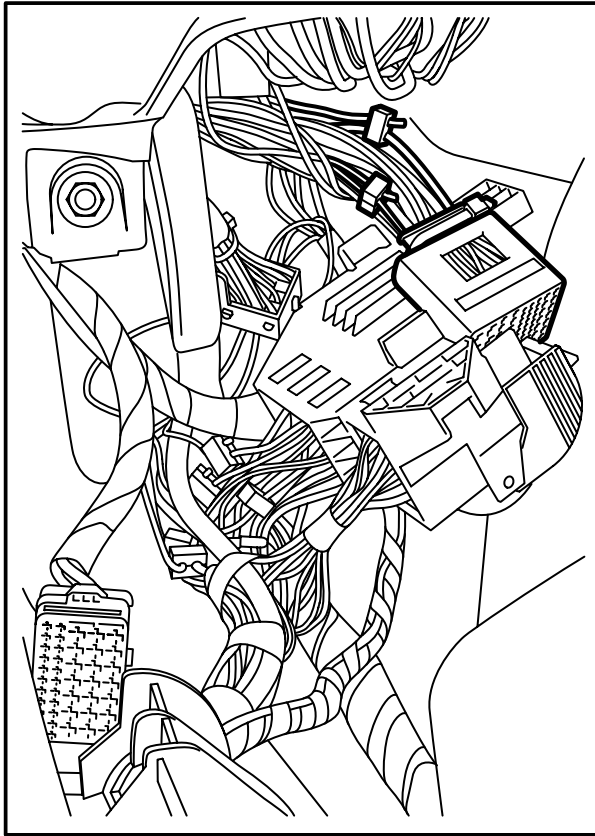
30 **M05:** Peel the insulation off the VT cable (belonging to the car's normal wiring harness) that runs to position 73, without cutting it, as much as fits in the crimp section of the larger crimp sleeve (12 mm).

31 **M05:** Peel off 12 mm at the end of the installation kit's cable marked 73 and insert it in the sleeve together with the violet cable. Crimp the sleeve together with the yellow crimping pliers.

32 **M05:** Insulate the crimp with tape, and tape it in against the wiring harness.

33 **M05:** Tape the wiring harnesses together in a suitable way, plug in the connectors and fit the connector bracket.

Proceed to step 44.



E930A373

34 **M06-**: Join the following cables using the crimp connectors to the sleeve connector (upper connector section) in accordance with the following for:

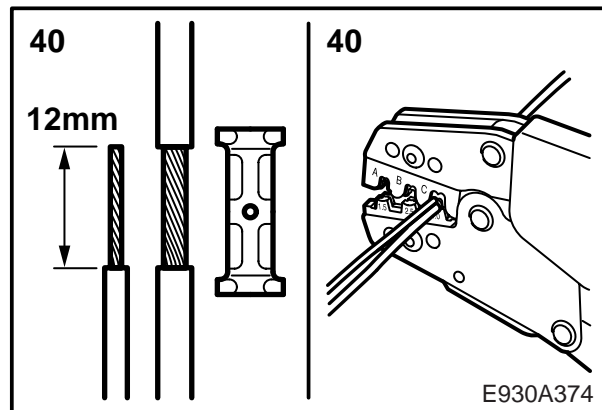
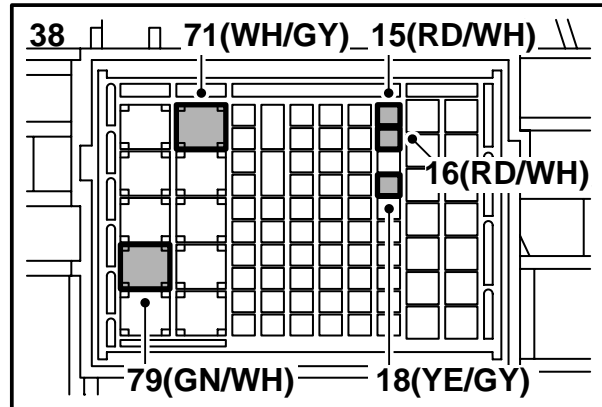
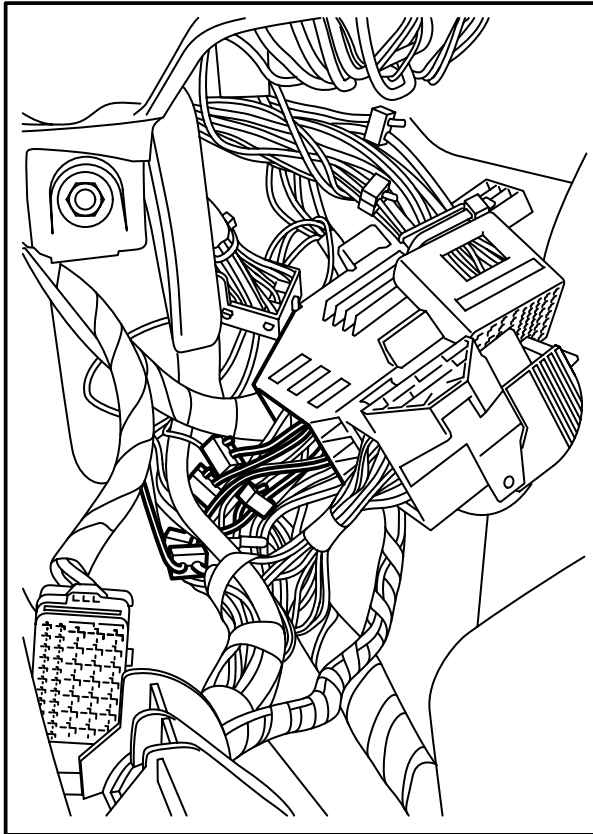
Installation kit cable number	Position H80-1	Car's cable colour
1	1	GN/GY
22	22	BN/GY

35 **M06-**: Cut the RD/VT cable that runs to position 2 as close to the connector as possible and thread on the shrink tube.

36 **M06-**: Join the cable with the installation kit's cable marked 2 using the smaller crimp sleeve. Use the yellow crimping pliers.

37 **M06-**: Cover with the shrink tube and carefully heat with a hot-air gun.





38 **M06-**: Join the following cables using the crimp connectors to the pin connector (lower connector section) in accordance with the following:

Installation kit cable number	Position H80-1	Car's cable colour
15	15	RD/WH
16	16	RD/WH
18	18	YE/GY
71	71	WH/GY
79	79	GN/WH

39 **M06-**: Cut the YE/GY cable (belonging to the car's normal wiring harness) from position 18 after the joining sleeve and insulate the cable ends with tape.

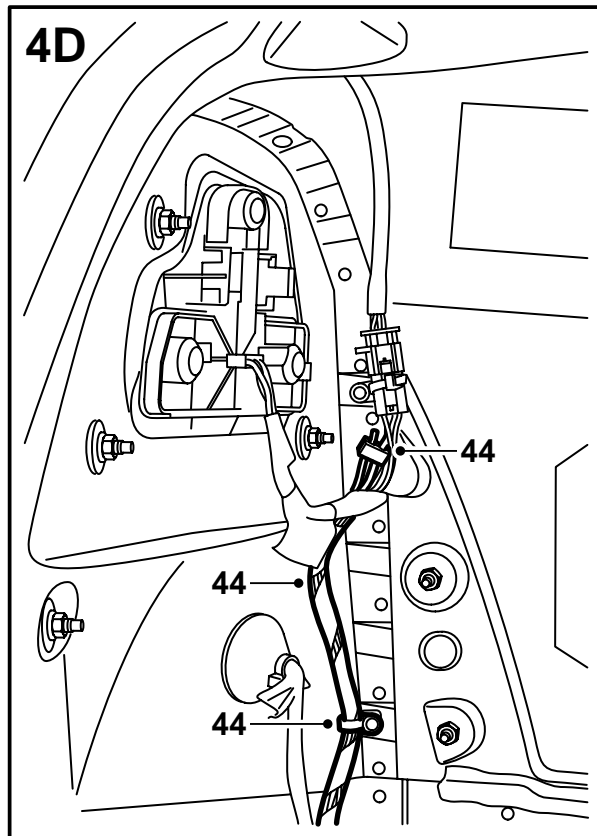
40 **M06-**: Peel the insulation off the BN cable (belonging to the car's normal wiring harness) that runs to position 73, without cutting it, as much as fits in the crimp section of the larger crimp sleeve (12 mm).

41 **M06-**: Peel off 12 mm at the end of the installation kit's cable marked 73 and insert it in the sleeve together with the brown cable. Crimp the sleeve together with the yellow crimping pliers.

42 **M06-**: Insulate the crimp with tape, and tape it in against the wiring harness.

43 **M06-**: Tape the wiring harnesses together in a suitable way, plug in the connectors and fit the connector bracket.

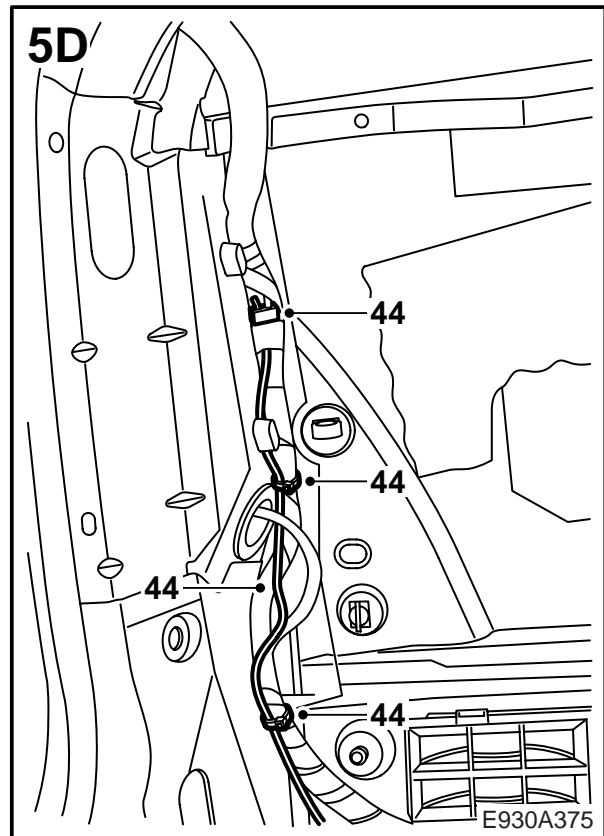
Proceed to step 45.



#### 44 M05:

**4D:** Join the installation kit's RD/WH cable (3) to the RD/WH cable in the wiring harness to the grey connector at the side of the light cluster. Secure the cable with a couple of cable ties.

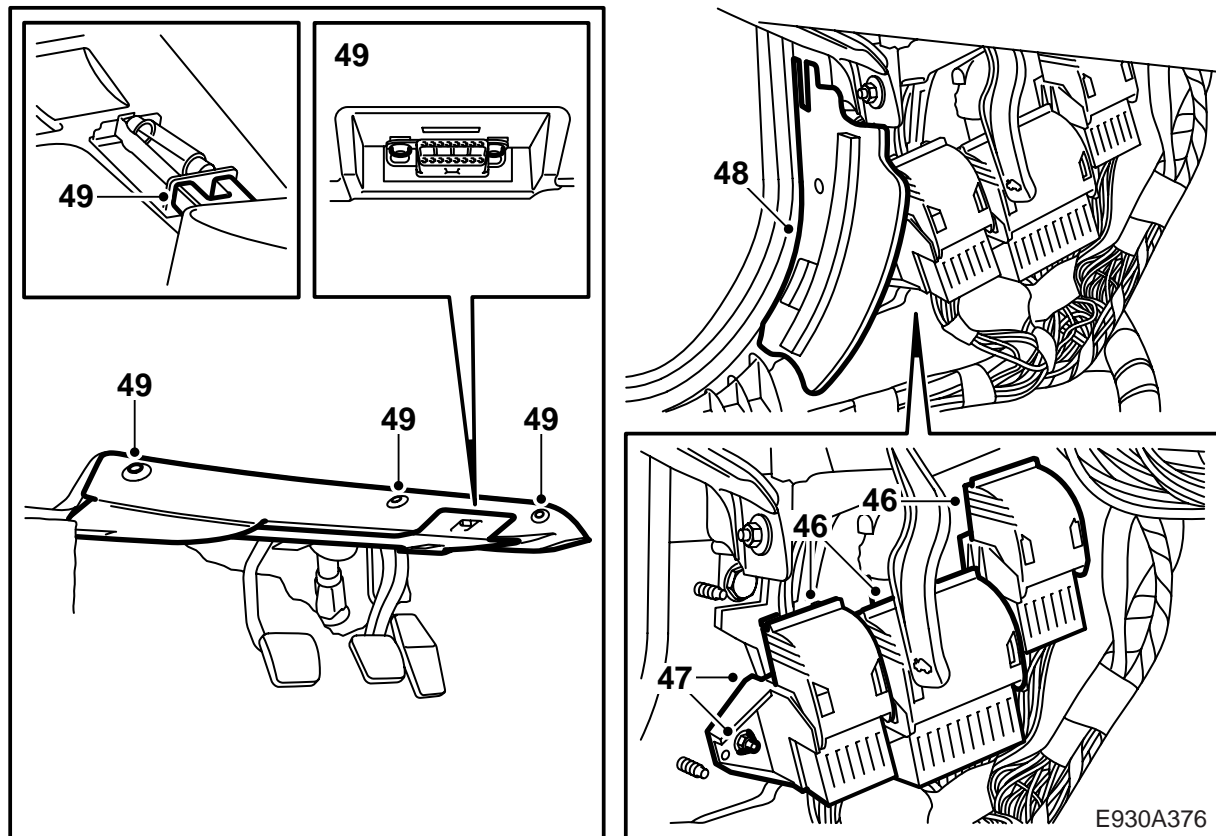
**5D:** Join the installation kit's RD/WH cable (3) to the RD/WH cable in the wiring harness passing the light cluster toward the roof. Wind a round of tape around the connector to prevent rattling. Secure the cable with a couple of cable ties.



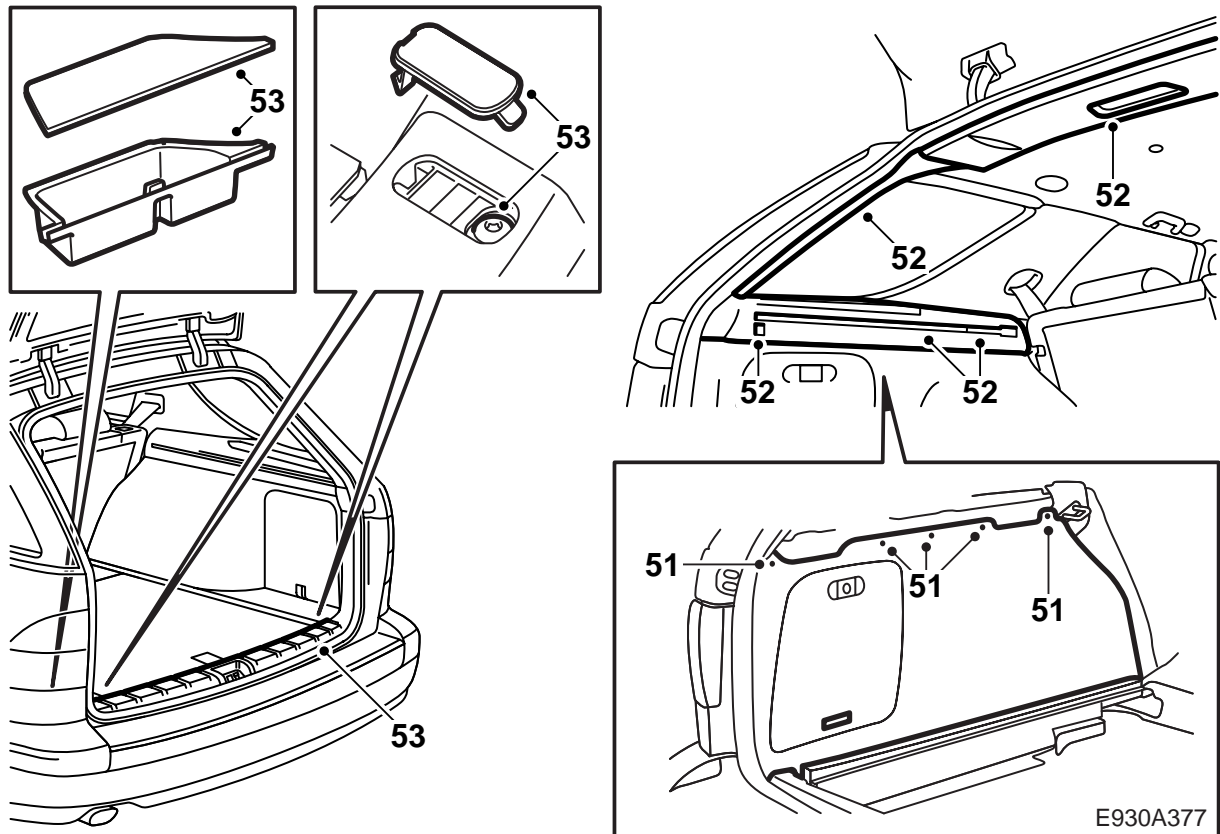
#### 45 M06-:

**4D:** Join the installation kit's RD/WH cable (3) to the YE/GY cable in the wiring harness to the grey connector at the side of the light cluster. Secure the cable with a couple of cable ties.

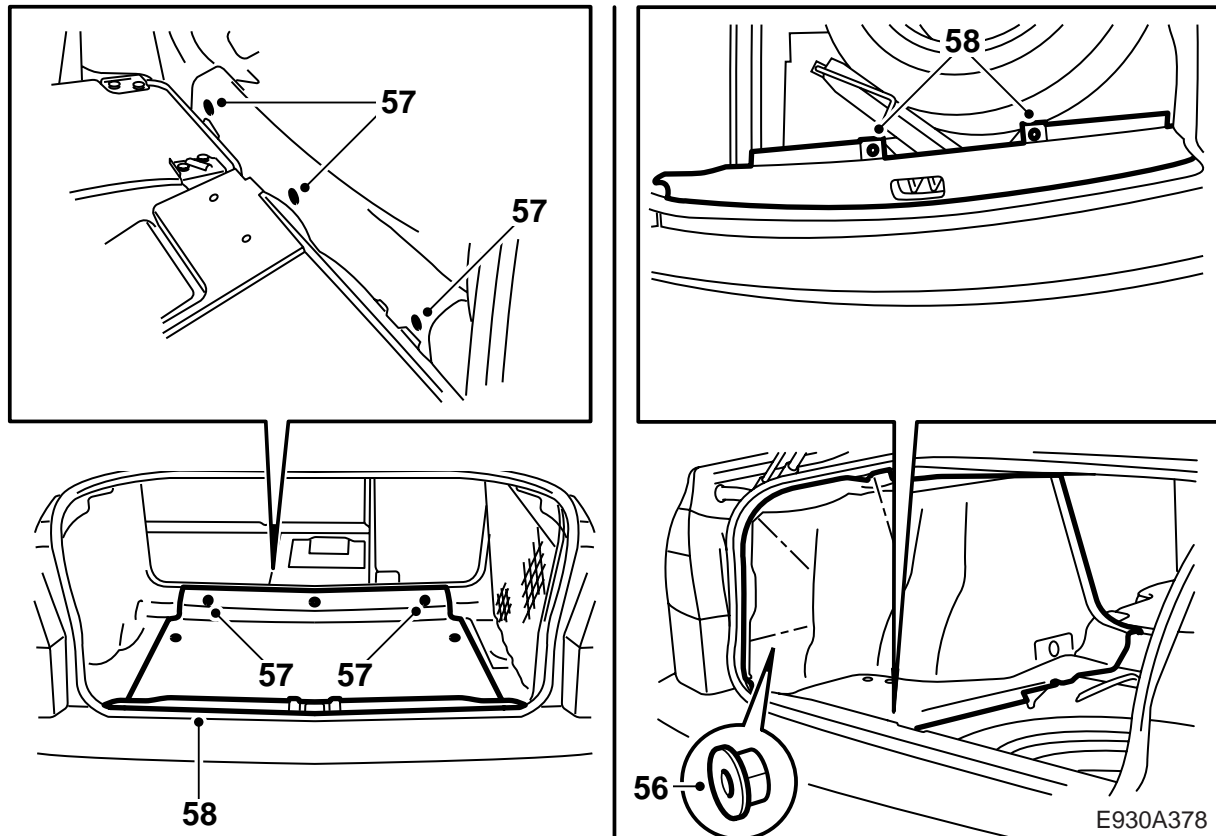
**5D:** Join the installation kit's RD/WH cable (3) to the YE/GY cable in the wiring harness passing the light cluster toward the roof. Wind a round of tape around the connector to prevent rattling. Secure the cable with a couple of cable ties.



- 46 Tape up the cables around the 80-pin connector and plug in all three connectors.
- 47 Fit the connector bracket to the wall.
- 48 Fit the connector bracket's plate cover.
- 49 Fold back the carpet and fit the lower panel cover.
- 50 Fit the front door's scuff plate, the B-pillar cover and the rear door scuff plate.



- 51 **5D**: Position the side trim and fit the screws at the top of the side trim.
- 52 **5D**: Refit the cargo guard support (3 screws) and the D-pillar trim.
- 53 **5D**: Fit the left-hand storage compartment in the floor and fit the scuff plate.
- 54 **5D**: Lower the floor panel and fit the cargo guard.
- 55 **5D**: Fit the cover between the left-hand rear door and the backrest and raise the rear seat backrest.



- 56 **4D**: Fit the side trim in the luggage compartment and the screw for the loudspeaker grille.
- 57 **4D**: Fit the floor panel and fold back the backrest.
- 58 **4D**: Fit the scuff plate.
- 59 Connect the battery and adjust the time and date on the car clock.
- 60 Check the connector functions.

Pin	Function
1	Direction indicators, left
2	Rear fog light, from DICE
3	Rear fog light via strapping from pin 2
4	Direction indicators, right
5	Parking lights, right
6	Brake lights
7	Parking lights, left
8	Reversing lights
9	+30 from fuse A
10	+54 from fuse 6