



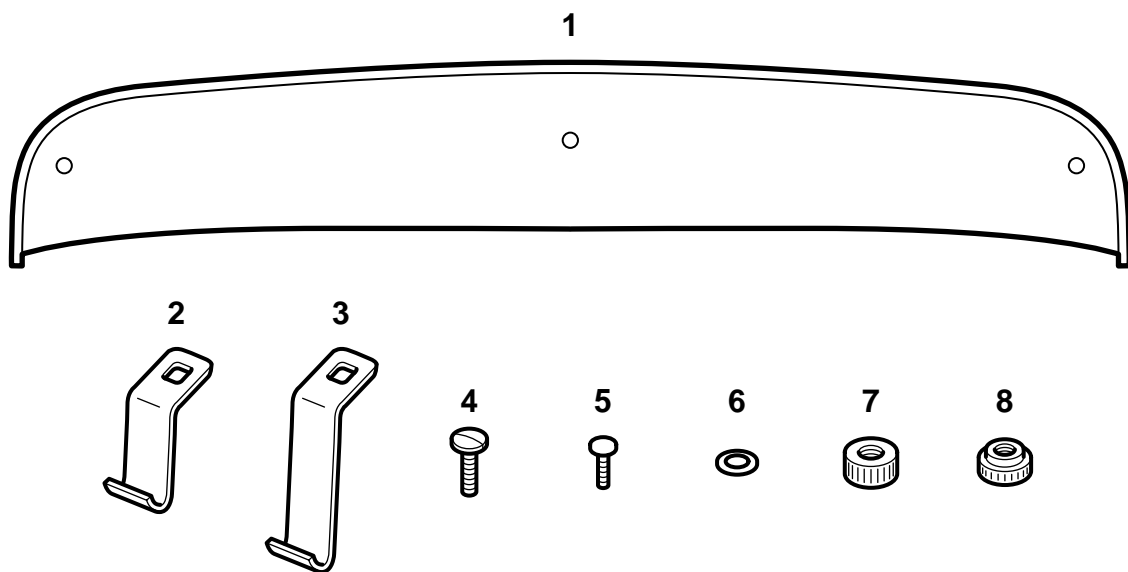
SAAB

**MONTERINGSANVISNING · INSTALLATION INSTRUCTIONS
MONTAGEANLEITUNG · INSTALLATIONS DE MONTAGE**

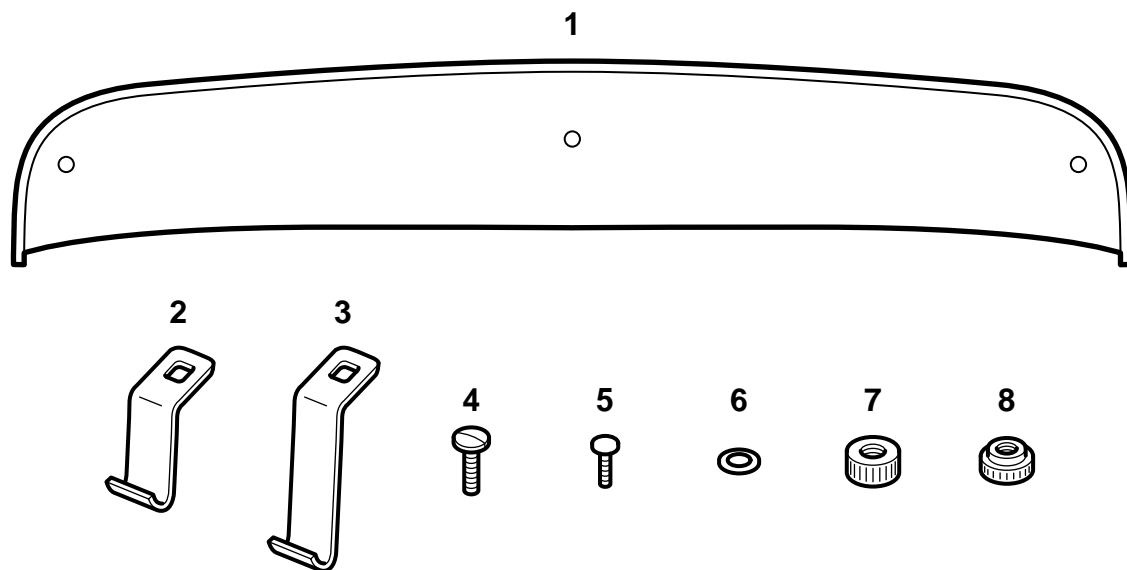
Saab 9-5

Air deflector

Accessories Part No.	Group	Date	Instruction Part No.	Replaces
400 108 049	8:45-12	Apr 99	48 55 425	48 55 425 Jun 97

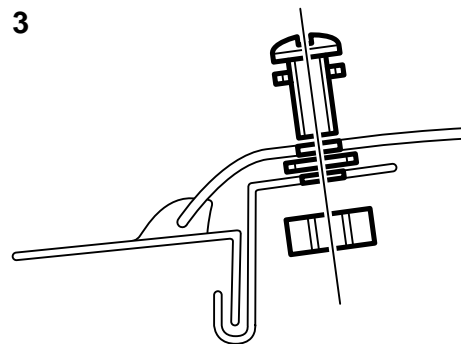
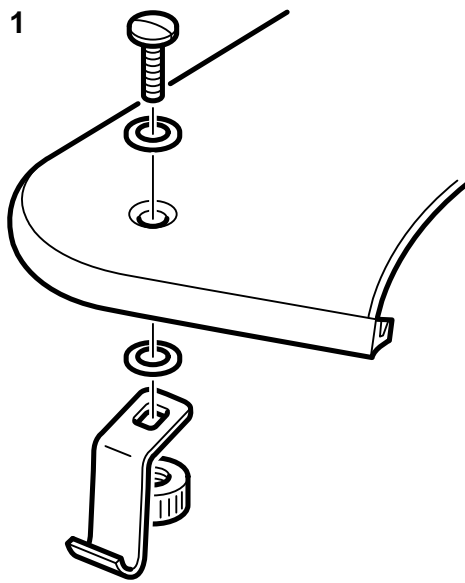


E980A037



E980A037

- 1 Air deflector with rubber moulding
- 2 Retaining bracket, outer (2)
- 3 Retaining bracket, centre (1)
- 4 Screw, outer (2)
- 5 Screw, centre (1)
- 6 Washer (5)
- 7 Nut, outer (2)
- 8 Nut, centre (1)



E980A038

- 1 Fit the retaining brackets loosely to the air deflector as illustrated. Place a washer only between the air deflector and the bracket on the centre bracket.
- 2 Open the sunroof. Position the air deflector correctly on the roof. Align the retaining brackets.
- 3 Press down on the air deflector at the retaining brackets and hook them onto the roof panel.
- 4 Check that the air deflector's rubber moulding fits tightly against the roof.
- 5 Tighten the nuts by hand.